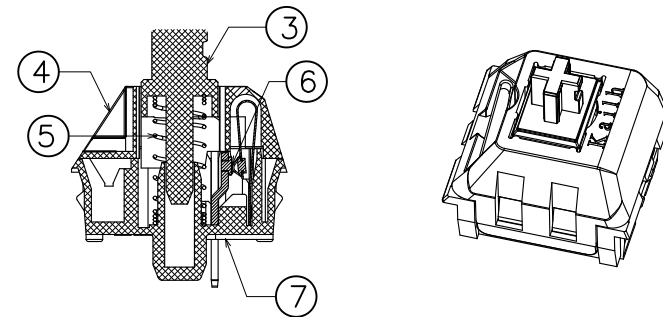
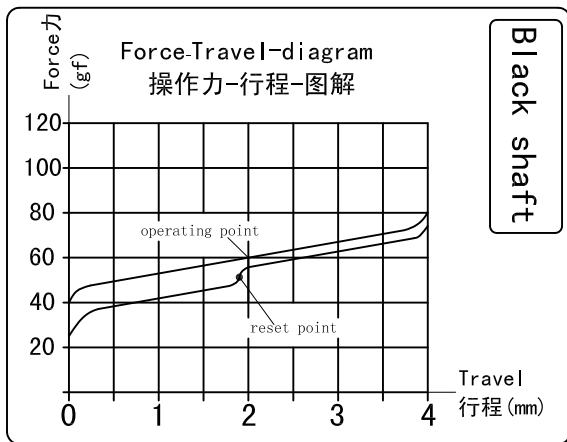
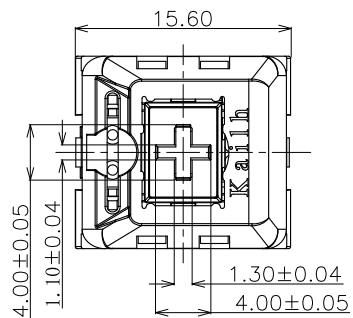


ABIDE BY ROHS

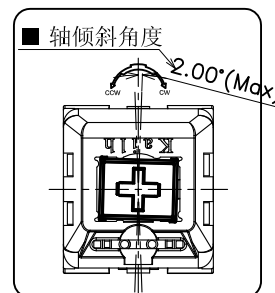
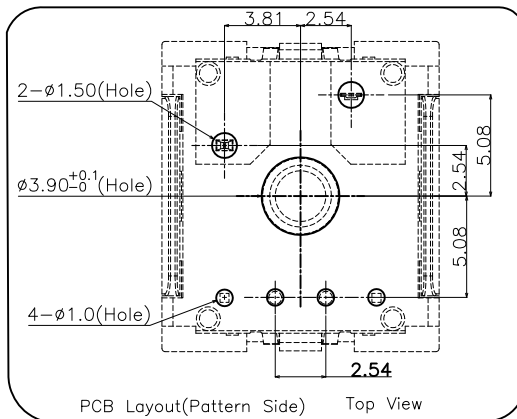
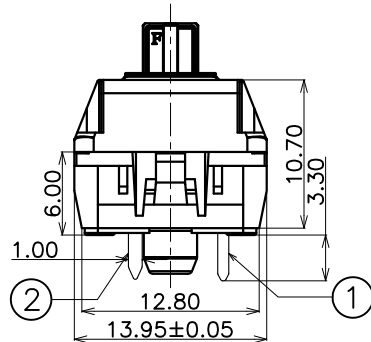
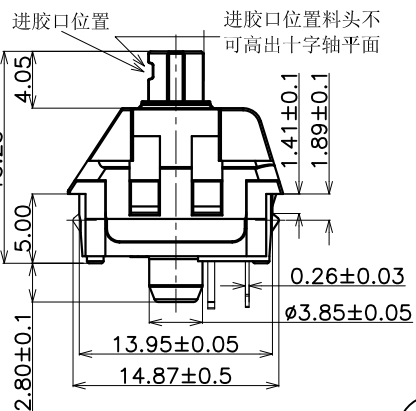
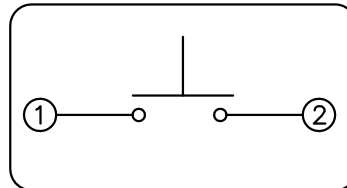
Black shaft



Specification :

- 1. Rating :12 VAC/DC max. 2 VDC min. 10mA AC/DC max. 10 μ A DC min.
- 2. Contact Resistance : 200mΩ Max
- 3. Insulation Resistance :100MΩ Min (DC100V)
- 4. Withstand Voltage :AC100V(50-60Hz) for 1 minute
- 5. Bounce Time: ≤5msec (at 16 in/sec. actuation speed)
- 6. Operation Force :60±10gf
- 7. Pretravel:2.0±0.6mm
- 8. Total travel:4.0±0.6mm
- 9. Operating Life :70,000,000 Cycles(min)
<Feel is allowed to have difference before and after life test>

SWITCH FUNCTION



⑦	Base	1	PA66	Black		
⑥	contact	2	Composite gold			
⑤	Spring	1	Stainless Steel			
④	Cover	1	Nylon	Black		
③	Keystroke	1	POM	Black		
②	static plate	1	Brass	Plating Ni		
①	movable plate	1	Copper Alloy			
ITEM	PART NAME	TER'NO	QTY.	MATERIAL	FINISHING	REMARK

APPROVALS		DATE	DONGGUAN CITY KAIHUA ELECTRONICS CO.,LTD Kaih				
DRAWN	Marongquan	2016.01.05					
CHECKED			TITLE:	PG1511 Keystroke Switch(Black shaft)			
APPROVALS			PART NO.	PG151101D94			
TOLERANCES ARE		30<L	±0.30	ANGLE	UNIT: mm	SCALE: 1:1	PROJ:
		10<L	±0.20		DRAWING NO.	KHA-PG1511-052EN	SHEET 1 OF 1
		5<L	±0.15				
		L	±0.10				

ECN NO.	REV.	DATE.	NEW DESCRIPTION.	CHANGE.	CHECK.	APPRO.
---------	------	-------	------------------	---------	--------	--------