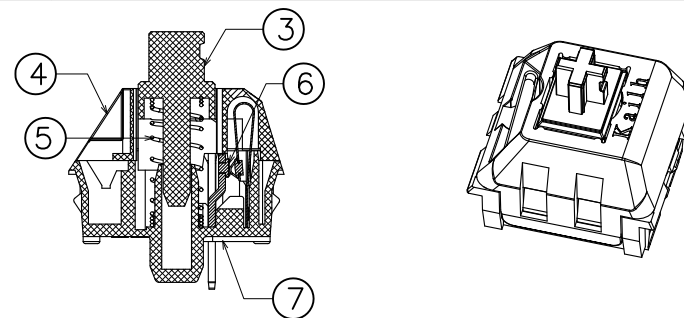
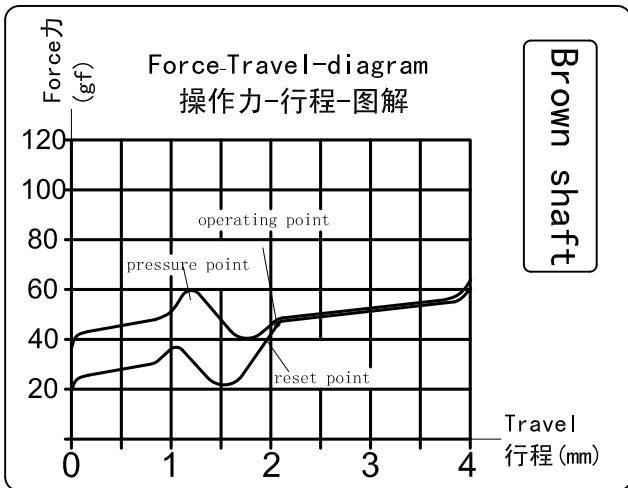
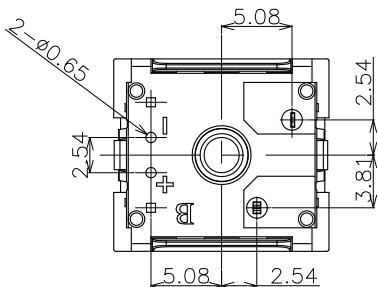
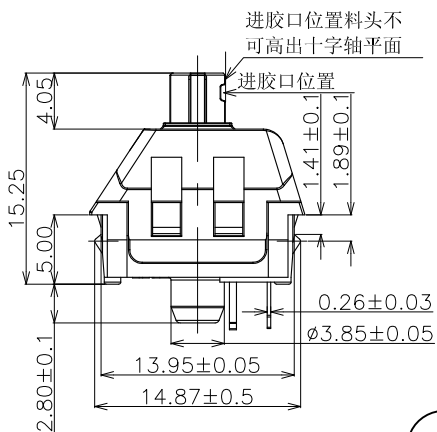
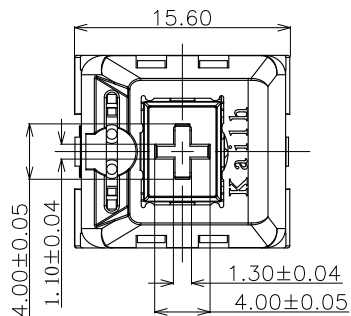


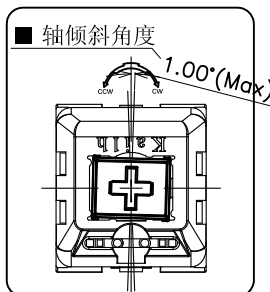
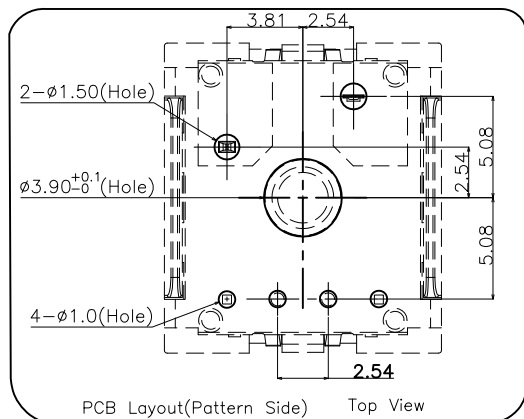
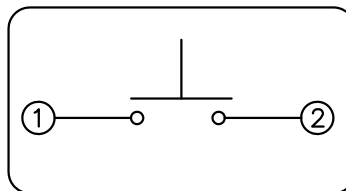
ABIDE BY ROHS & REACH

Brown shaft



- Specification :
- 1. Rating : 12V AC/DC max. 2V DC min. 10mA AC/DC max. 10 $\mu$  A DC min.
  - 2. Contact Resistance : 100m $\Omega$  Max
  - 3. Insulation Resistance : 100M $\Omega$  Min (DC500V)
  - 4. Withstand Voltage : AC100V (50-60Hz) for 1 minute
  - 5. Bounce Time:  $\leq 5$ msec (at 16 in/sec. actuation speed)
  - 6. Operation Force : 50 $\pm$ 10gf
  - 7. Tactile Force : 60 $\pm$ 15gf
  - 8. Pretravel: 2.00mm $\pm$ 0.6mm
  - 9. Total travel: 4.0 $\pm$ 0.4 mm
  - 10. Operating Life : 70,000,000 Cycles(min)
- <Feel is allowed to have difference before and after life test>

SWITCH FUNCTION



7	Base	1	Nylon	Black		
6	contact	2	Composite gold			
5	Spring	1				
4	Cover	1	Nylon	Black		
3	Keystroke	1	POM	Brown		
2	static plate	1	Brass	Plating Nickel		
1	movable plate	1	Copper Alloy			
ITEM	PART NAME	TER'NO	QTY.	MATERIAL	FINISHING	REMARK

APPROVALS		DATE	DONGGUAN CITY KAIHUA ELECTRONICS CO.,LTD Kailh			
DRAWN	Tangjia	2016.08.12				
CHECKED			TITLE: Keystroke Switch(Brown shaft)			
APPROVALS			PART NO. OPG151101D92			
TOLERANCES ARE		30<math>\leq</math>L $\pm 0.30$ 10<math>\leq</math>L $\pm 0.20$ 5<math>\leq</math>L $\pm 0.15$ L $\leq 5$ $\pm 0.10$	ANGLE $\pm 2'$	UNIT: mm	SCALE: 1:1	PROJ:
ECN NO.	REV.	DATE.	DRAWING NO.	SHEET 1 OF 1		

NEW	CHANGE.	CHECK.	APPRO.
ECN NO.	REV.	DATE.	DESCRIPTION.