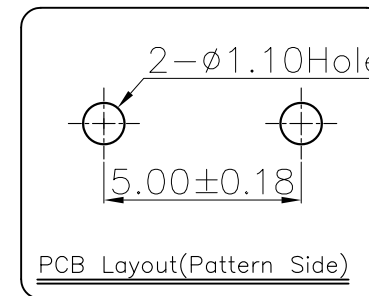
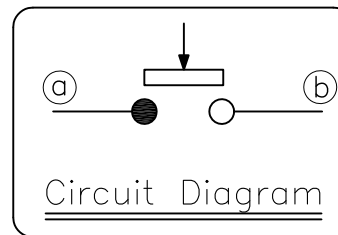
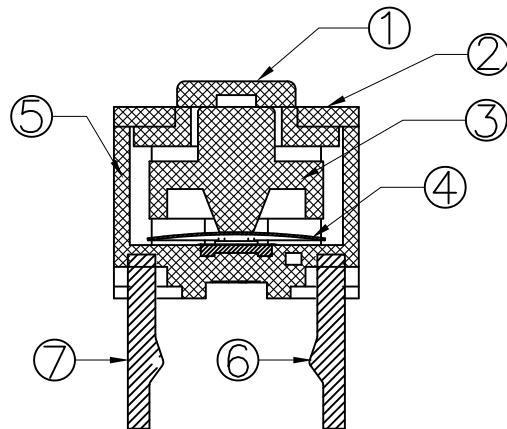
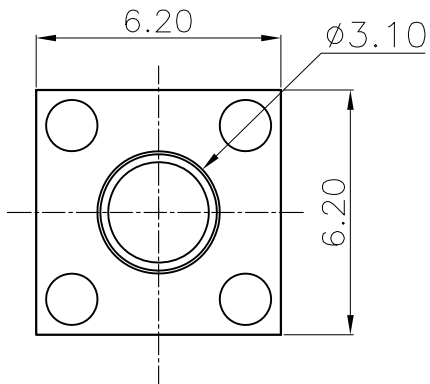
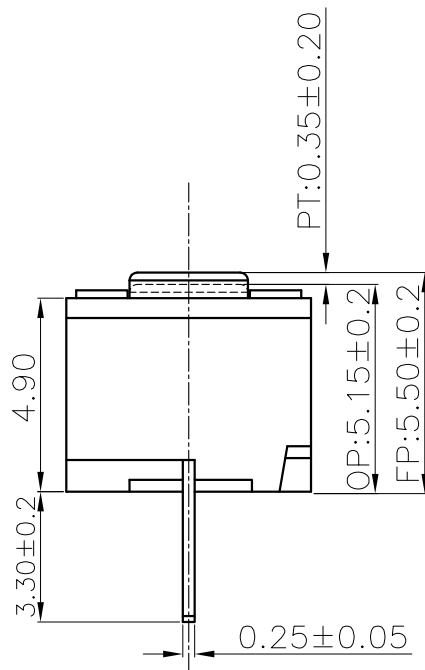
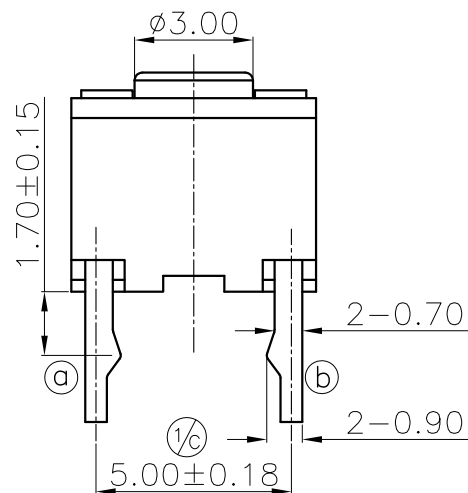


ABIDE BY ROHS



■ Specification :

- 1. Rating : DC12V 50mA
- 2. Contact Resistance : 100m Ω Max
- 3. Insulation Resistance : 100M Ω Min (DC250V)
- 4. Withstand Voltage : AC250V (50-60Hz) for 1 minute
- 5. Operation Force : 70 ± 15gf
- 6. Operation Position : 5.15 ± 0.2mm
- 7. Mechanical Life : 3, 000, 000 Cycles (min)



ITEM	PART NAME	TER'NO.	QTY.	MATERIAL	FINISHING	REMARK
⑦	Terminal	2	1	BRASS(0.25t)	Plating Silver	
⑥	Terminal	1	1	BRASS(0.25t)	Plating Silver	
⑤	Base		1	Nylon	Black	UL94HB
④	Contact		1	AG-SUS301EH		
③	Rubber pad		1	Rubber	White	UL94HB
②	Cover		1	PBT	Black	UL94HB
①	Keystoke		1	POM	Black	UL94HB

APPROVALS		DATE	DONGGUAN CITY KAIHUA ELECTRONICS CO.,LTD		
DRAWN	Chen Geng	2015.8.27	Kaihua		
CHECKED			TITLE:	MI6255 Micro Switch	
APPROVALS			PART NO.	MI625501D06	
TOLERANCES ARE		30<L	±0.30	ANGLE	UNIT: mm
		10<L	±0.20	±2'	SCALE: 1:1
		5<L	±0.15	DRAWING NO.	KHA-MI6255-001EN
		L	±0.10	PROJ:	SHEET 1 OF 1

ECN-1608-16 C 2016.8.20 更新尺寸管控由5.00±0.1变更5.00±0.18

ECN NO. REV. DATE. DESCRIPTION. CHANGE. CHECK. APPRO.