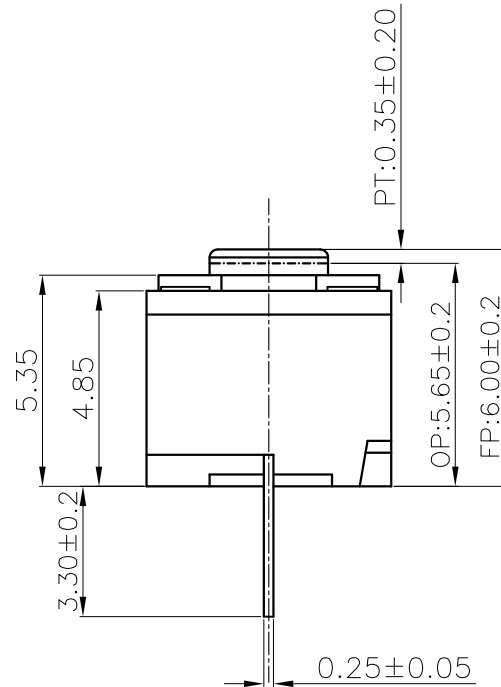
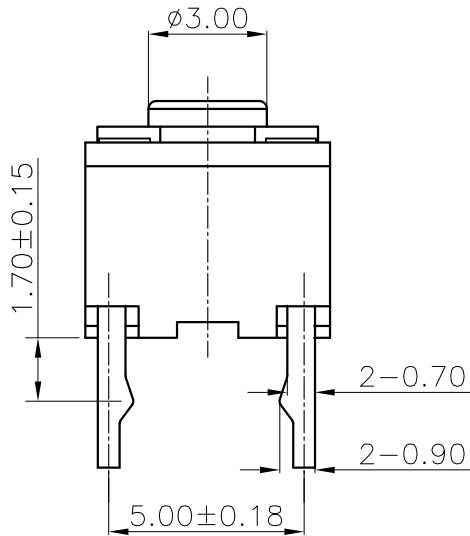
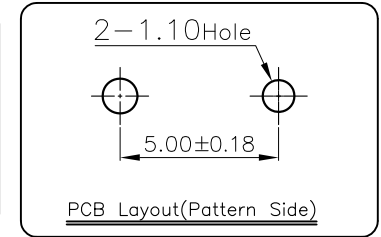
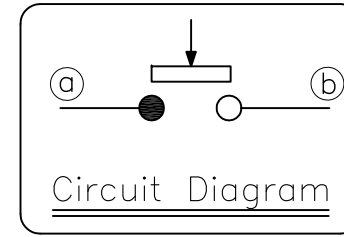
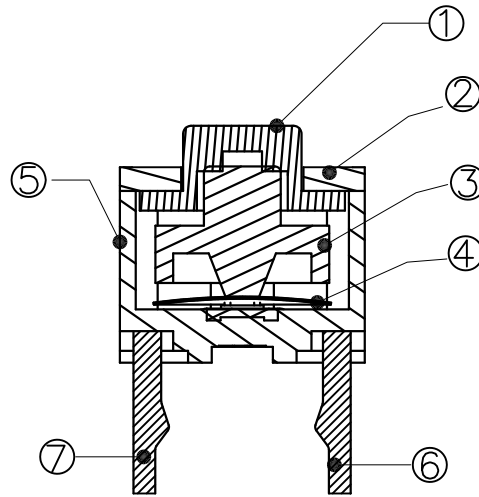
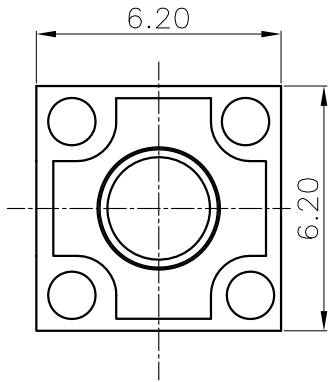



ABIDE BY ROHS



Specification :

1. Rating : DC12V 50mA
2. Contact Resistance : 100mΩ Max
3. Insulation Resistance : 100MΩ Min (DC250V)
4. Withstand Voltage : AC250V (50-60Hz) for 1 minute
5. Operation Force : 80 ± 20gf
6. Operation Position : 5.65 ± 0.2mm
7. Mechanical Life : 3,000,000 Cycles (min)

ITEM	PART NAME	TER'NO.	QTY.	MATERIAL	FINISHING	REMARK
⑦	Terminal	2	1	BRASS(0.3t)	Plating Silver	
⑥	Terminal	1	1	BRASS(0.3t)	Plating Silver	
⑤	Base		1	Nylon	Black	UL94HB
④	Contact		1	AG-SUS301-EH	Plating Silver	
③	Rubber pad		1	Rubber	White	UL94HB
②	Cover		1	PBT	Black	UL94HB
①	Keystoke		1	PBT	White	UL94HB

APPROVALS		DATE	 东莞市凯华电子有限公司 KAIHUA ELECTRONICS CO.,LTD
DRAWN	Chen Geng	2016.8.19	
CHECKED			TITLE: FP=6.0mm Micro Switch
APPROVALS			PART NO. CMI626001D10
TOLERANCES ARE		30<L ±0.30 10<L ≤30 ±0.20 5<L ≤10 ±0.15 L ≤5 ±0.10	ANGLE UNIT: mm SCALE: 1:1 DRAWING NO. KHA-MI6260-002EN SHEET 1 OF 1

ECN NO.	REV.	DATE.	DESCRIPTION.	CHANGE.	CHECK.	APPRO.
	A		NEW			