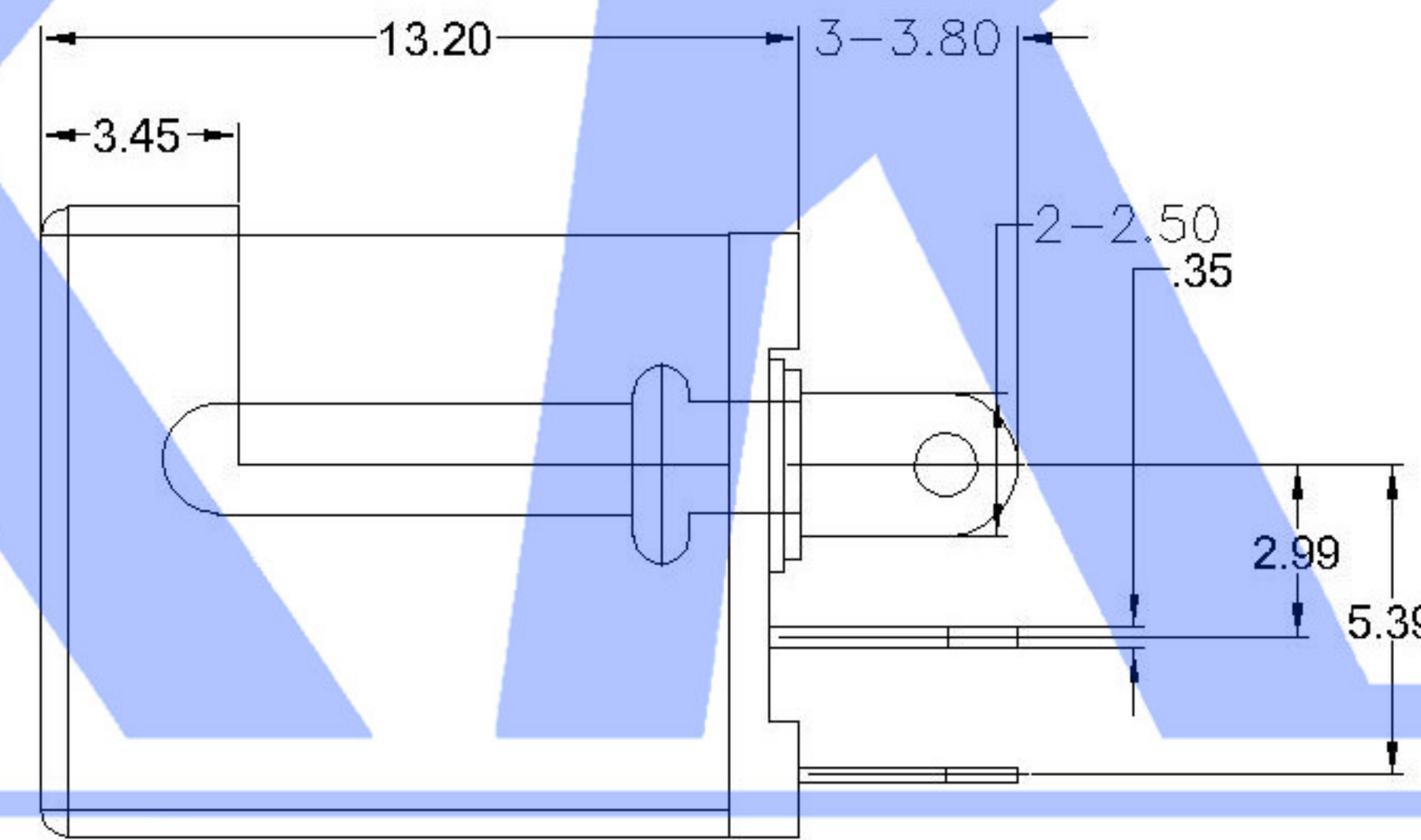
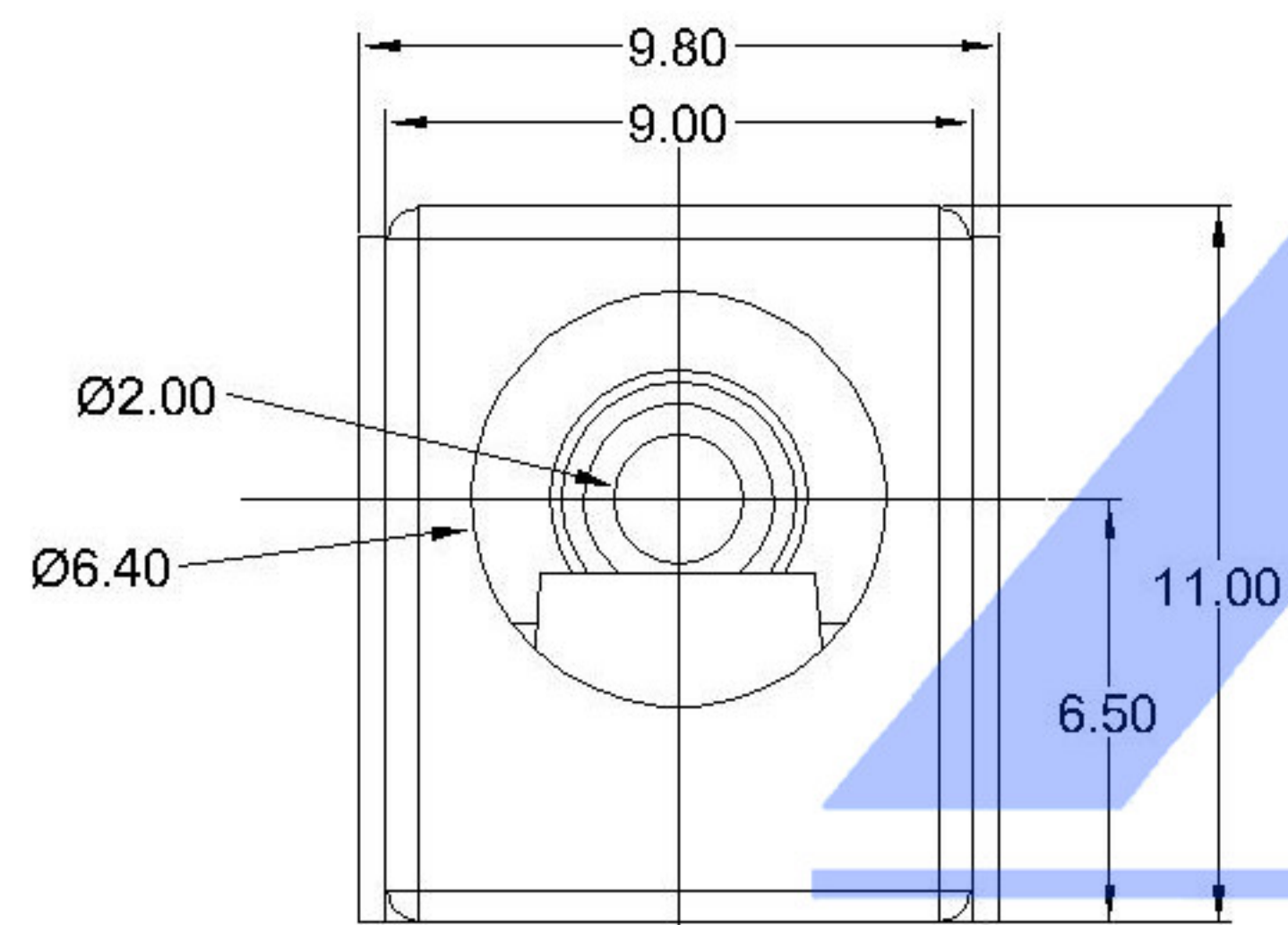


PCB LAYOUT TOP VIEW  
TOLERANCES:±0.05

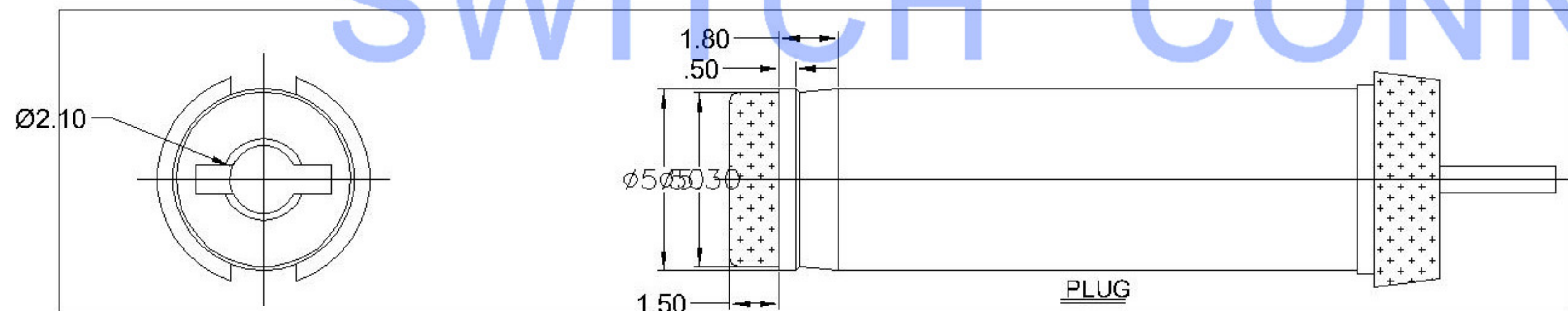


**SPECIFICATIONS:**

**1. ELECTRICAL CHARACTERISTICS:**

- 1-1. RATING: 20V, 1A Min.
- 1-2. CONTACT RESISTANCE: 50 MILLIOHMS Max. FOR INITIAL, 80 MILLIOHMS Max. AFTER 5000 CYCLES.
- 1-3. INSULATION RESISTANCE: 100 MEGAOHMS Min. BY 500V DC AFTER 1 MINUTE.
- 1-4. DIELECTRIC WITHSTANDING VOLTAGE: 500V RMS AFTER 1 MINUTE.
- 2. MECHANICAL CHARACTERISTICS:**
- 2-1. INSERTION FORCE : 0.3~3.0 KGF(2.94~29.4N)
- 2-2. WITHDRAWAL FORCE : 0.3~3.0 KGF(2.94~29.4N)
- 3. LIFE TEST: 5,000 CYCLES MIN.

# SWITCH CONNECTOR



SCHEMATIC	
Model	DC-012A-5A
Center Pin	Ø2.0 mm

DSND		DATE		SCALE: N/A	MODEL TYPE: DC POWER JACK		
ΔX		DATE		VIEW:	PART NO.:		
ΔX		DATE		UNIT: mm	DWG NO.:		
ΔX		DATE		SIZE: A4	DC-012A-5A-2.0		
MARK	DESCRIPTION	DATE	REVISED	APPROVED	WEIGHT	SHEET	REVISION
	REVISIONS				1.0g	1/1	A0
	UNSPECIFIED TOLERANCES						