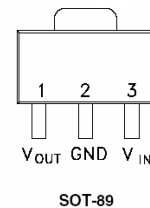


**FEATURES**

- Output Current in Excess of 0.15A
- Output Voltage is 5V
- Internal thermal Overload protection
- Internal Short Circuit Current Limiting

**PIN CONNECTION**

**ABSOLUTE MAXIMUM RATINGS (Ta=25°C)**

Characteristics	Symbol	Value	Unit
Input Voltage	$V_i$	25	V
Operating Temperature	$T_{opr}$	-40 ~ 85	°C
Storage Temperature Range	$T_{stg}$	-55 ~ 150	°C

**ELECTRICAL CHARACTERISTICS**

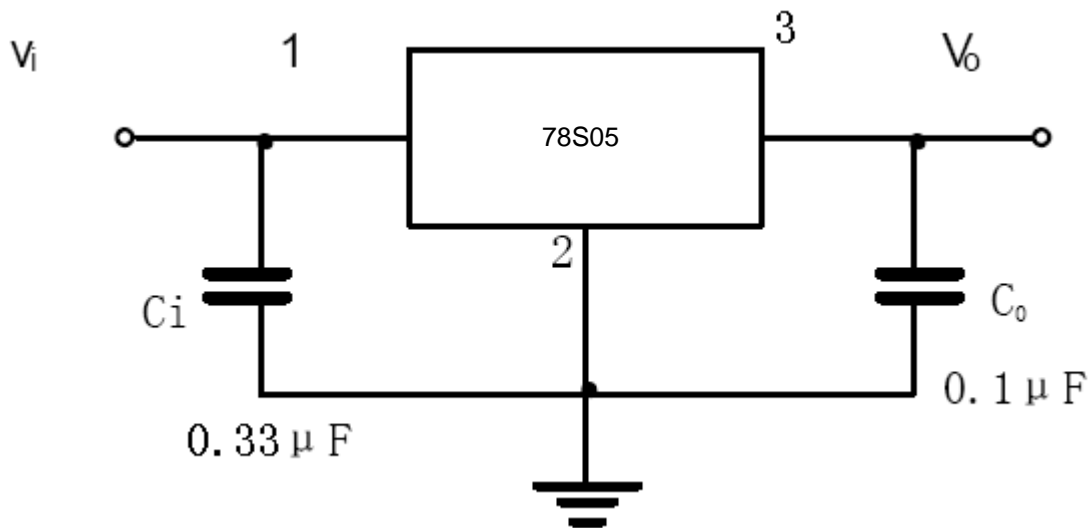
 (unless otherwise noted,  $V_i=10V, I_o=40mA, -30^{\circ}C < T_j < 85^{\circ}C, C_1=0.33\mu F, C_o=0.1\mu F$ )

Characteristics	Symbol	Test conditions	Min.	Typ.	Max.	Unit
Output Voltage	$V_o$	$T_j=25^{\circ}C$	4.9		5.0	V
		$7V \leq V_i \leq 20V, I_o=5mA \sim 150mA$	5.0		5.1	
Load Regulation	$\Delta V_o$	$T_j=25^{\circ}C, I_o=5mA \sim 150mA$		25	100	mV
		$T_j=25^{\circ}C, I_o=5mA \sim 100mA$		10	50	
Line Regulation	$\Delta V_o$	$7V \leq V_i \leq 25V, I_o=100mA, T_j=25^{\circ}C$		4	100	mV
		$8V \leq V_i \leq 25V, I_o=100mA, T_j=25^{\circ}C$		2	50	
Quiescent Current	$I_q$	$T_j=25^{\circ}C$		4	6	mA
Quiescent Current Charge	$\Delta I_q$	$8V \leq V_i \leq 25V, I_o=100mA$			0.8	mA
		$5mA \leq I_o \leq 150mA$			0.5	

Continues:

Characteristics	Symbol	Test conditions	Min.	Typ.	Max.	Unit
Output Noise Voltage	$V_N$	$10\text{Hz} \leq f \leq 100\text{kHz}$ , $T_j = 25^\circ\text{C}$		40	200	$\mu\text{V}$
Dropout Voltage	$V_d$	$T_j = 25^\circ\text{C}$		2		V
Ripple Rejection	RR	$8\text{V} \leq V_i \leq 18\text{V}$ , $f = 120\text{Hz}$ , $I_o = 100\text{mA}$ , $T_j = 25^\circ\text{C}$	56	80		dB
Short Circuit Current Limit	$I_{sc}$	$T_j = 25^\circ\text{C}$		0.5		A

### APPLICATION CIRCUIT



\*Bypass capacitors are recommended for optimum stability and transient response and should be located as close as Possible to the regulators.

SOT-89

单位: mm

