

承 認 書

SPECIFICATION FOR APPROVAL

*客戶名稱 Customer name	: 立創
*產品名稱 Product Description	: 翹板开关
*產品型號 Product part number	: RT-S02-113-R42BR
*客戶料號 Customer's material number	:
*數量 Quantity	: 0 PCS
*日期 Date	: 2019-6-27

供應商負責人簽名		客戶負責人確認簽回	
製作人	莫丽琴	承認人	
審核	李跃鑫	審核	
批准	王瑞宝	批准	

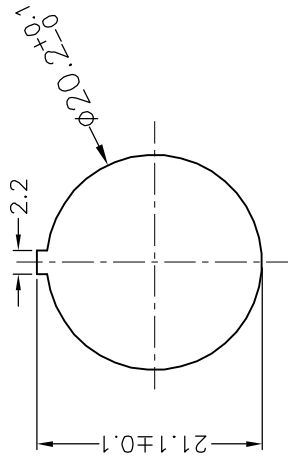
皓宇(香港)有限公司
HAOYU (HONG KONG) LIMITED
东莞市弘皓电子有限公司
DONGGUAN HOOYA ELECTRONICS CO. LTD
東莞市石碣鎮四村第一工業區
Sicun 1st Industrial park, Sicun,
Shijie Town, Dongguan
電話 : (86) 769-82310511-2
Tel No
傳真 : (86) 769-82310510
Fax No
郵箱 : haoyu888@21cn.com
E - mail

核 准 :
Approved

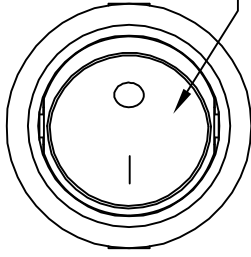
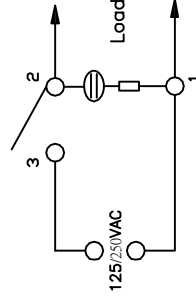
NOTES:

- 1.Circuit:ON/OFF
- 2.Operation force:500±200gf
- 3.Electrical rating:15A 125VAC
8A 250VAC
12(6)A 250V~
- 4.Contact resistance:<30mΩ
- 5.Insulation resistance:>1000MΩ(500VDC between open contacts)
- 6.Dielectric strength:>1500V 1 minute
- 7.Color: cover is red, body is black.

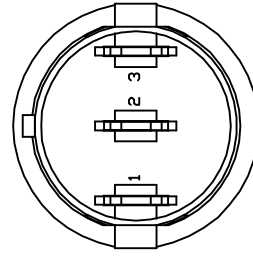
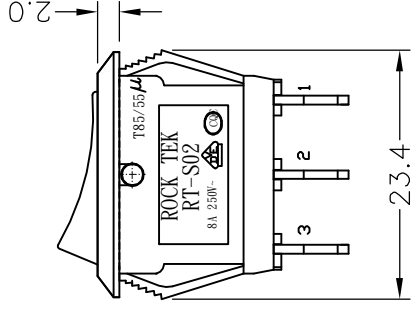
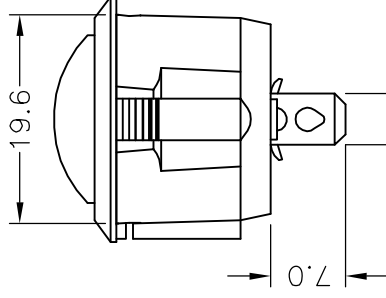
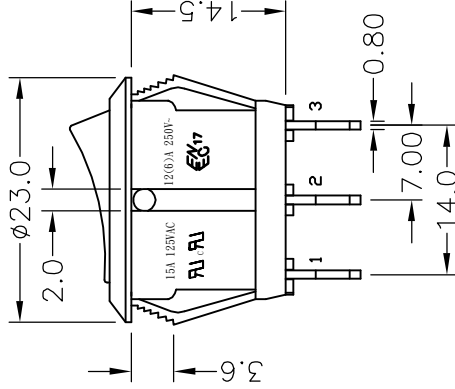
Panel cut out(Thickness: 3mm Max)



Circuit of Switch



sleek is red face



5	→	10	DIMENSIONAL TOLERANCES	APPROVED	CHECKED	DESIGN	DRAWN	ALL SIZE ARE IN	MM	
				RANGE	TOLERANCE	SCALE		FIT		
4	→	9	X	±0.4	SIMON		2008.07.22	MAT'L	***	
3	→	8	X.X	±0.3	ROCK TEK ELECTRICAL(SHENZHEN) CO.,LTD.				MATERIAL NO.	RT-S02-113-R42BR
2	→	7	X.XX	±0.2					DRAWING NO.	W1F108023
1	→	6	ANGLES	±0.5'					REV	A
NO	DESCRIPTION									

1.Scope

This specification covers the RT-S02 series rocker switch.

2.Rating

15A 125VAC UL,CUL

8A 250VAC CQC

12(6)A 250VAC ENEC

3.Standard

UL61058-1

EN60158-1 2002,

GB15092

4.Dimensions

Dimensions of this switch are shown on the following drawing.

5.Electrical

5.1. Contact Resistance

The contact resistance should be $30\text{m}\Omega$ (Max).

5.2. Insulation resistance

It is measured with 500V DC 1 minute should be $100\text{M}\Omega$ (Min).

5.3.Dielectric strength

(Between terminals of open contacts and terminals of opposite polarity)

Dielectric strength should withstand without breakdown a potential of AC
1500V/minute.

(Between terminals and metal frame)

Dielectric strength should withstand without breakdown a potential of AC
1500V/minute

ROCK TEK ELECTRONICS(SHENZHEN)CO., LTD.

富 力 隆 電 子 (深 圳) 有 限 公 司

Specification Of RT-S02 Series Rocker Switch page:2/2

6. Terminal Strength

Using a static force of 5kg in one direction on the tip terminal for 1 minute.

The terminal may be deformed, but should not sustain any trouble as deviation

And breaking of terminal and breaking of insulation.

7. Life test

All of the mechanical life are over 30,000 cycles.

All of the electrical life all over 10,000 cycles.

8. Soldering test

The terminals shall be well soldered of dipped place of immersed place in the solder.

Dipped in molten solder of $260 \pm 5^{\circ}\text{C}$ and the dwell time in solder is 3~5 seconds and

More than 75% of the dipped shall be covered by solder.

9. Humidity test

The switch shall be stored at a temperature of $40 \pm 2^{\circ}\text{C}$ and a humidity of 90% to 95%

for 96 hours. Then the switch shall be maintained at standard atmospheric condition

for 1 hour after which measurement shall be made. There shall be no deformation or cracks

in molded part.



WOYR2.E300970
Switches, Appliance and Special Use - Component

For enhanced search functionality, please visit UL's iQ™ Family of Databases.

Click on a product designation for complete information.

[Page Bottom](#)

Switches, Appliance and Special Use - Component

[See General Information for Switches, Appliance and Special Use - Component](#)

ROCK TEK ELECTRONICS INDUSTRY CORP

E300970

98 GUANGUANG RD
 BAO'AN DISTRICT, GUANLAN TOWN
 SHENZHEN, GUANGDONG 518110 CHINA


Investigated to ANSI/UL 1054

Cat. No.	Amps	Volts	Hz	Load	Endur- ance	Temp C	POL/ THR	Per Pole/ Circuit Code	SPCOA
M1	7.5	125	60	GP	6K	75	1/2	-/A	-
	5	250	60	GP	6K				
RT-M2,f/b 0, 1, 2, 3, 4, 5 or 6									
	5	125	60	GP	6K	85	1/2	-/A	-
	5	250	60	GP	6K				
	6	30	DC	R	6K				
RT-P02	7	14	DC	-	6K	65	1/2	-/A	-
RT-P03	16	125	60	GP	6K	85	1/1	-/A	Note 2
	16	250	60	GP	6K				
	-	125	60	3/4hp	6K				
RT-P04	16	125	60	GP	6K	95	1/1	-/A	-
	-	125	60	1/2hp	6K				
RT-P05	14	125	50/60	GP	6K	65	2/1	-/B	Note 11A
	14	250	50/60	GP	6K				
	-	125	50/60	1/2hp	6K				
	-	250	50/60	1hp	6K				
RT-S01	10	125	60	GP	6K	85	1/1	-/A	-
	6	250	60	GP	6K				
RT-S01A	10	125	60	GP	6K	85	1/1	-/A	Note 2
	6	250	60	GP	6K				
RT-S02	15	125	60	GP	6K	85	1/1	-/A	-
	8	250	60	GP	6K				
RT-S02A	15	125	60	GP	6K	85	1/1	-/A	Note 2
	8	250	60	GP	6K				
RT-S03	16	125	60	GP	6K	105	2/1	-/B	-
	16	250	60	GP	6K				
	-	125	60	1/3hp	6K				

RT-S03A	16	125	60	GP	6K	105	2/1	-/B	Note 2
	16	250	60	GP	6K				
	-	125	60	1/3hp	6K				
RT-S05	15	125	60	GP	6K	125	2/2	-/B	-
RT-S06 f/b A or Blank									
	16	125	60	GP	6K	85	1/1	-/A	Note 2
	10	250	60	GP	6K				
	-	125	60	3/4hp	6K				
	-	250	60	1hp	6K				

Note 11A - Switch may be marked with the voltage rating single or double underlined for tested using 240 V or 250 V to ground.

Note 2 - These are lighted switches employing a lamp. The usable lamp life has not been evaluated.

Marking: Company name, catalog, model or part number, electrical ratings and the Recognized Component Mark,  on the product or on the smallest unit container in which the product is packaged.

Last Updated on 2013-08-26

[Questions?](#)

[Print this page](#)

[Terms of Use](#)

[Page Top](#)

◆ 2015 UL LLC

The appearance of a company's name or product in this database does not in itself assure that products so identified have been manufactured under UL's Follow-Up Service. Only those products bearing the UL Mark should be considered to be Certified and covered under UL's Follow-Up Service. Always look for the Mark on the product.

UL permits the reproduction of the material contained in the Online Certification Directory subject to the following conditions: 1. The Guide Information, Assemblies, Constructions, Designs, Systems, and/or Certifications (files) must be presented in their entirety and in a non-misleading manner, without any manipulation of the data (or drawings). 2. The statement "Reprinted from the Online Certifications Directory with permission from UL" must appear adjacent to the extracted material. In addition, the reprinted material must include a copyright notice in the following format: "© 2015 UL LLC".



WOYR8.E300970

Switches, Appliance and Special Use Certified for Canada - Component

For enhanced search functionality, please visit UL's iQ™ Family of Databases.

Click on a product designation for complete information.

[Page Bottom](#)

Switches, Appliance and Special Use Certified for Canada - Component

[See General Information for Switches, Appliance and Special Use Certified for Canada - Component](#)

ROCK TEK ELECTRONICS INDUSTRY CORP

E300970

98 GUANGUANG RD
BAO'AN DISTRICT, GUANLAN TOWN
SHENZHEN, GUANGDONG 518110 CHINA


Investigated to CSA-C22.2 No. 55

Cat. No.	Amps	Volts	Hz	Load	Endur- ance	Temp C	POL/ THR	Per Pole/ Circuit Code	SPCOA
M1	7.5	125	60	GP	6K	75	1/2	-/A	-
	5	250	60	GP	6K				
RT-M2,f/b 0, 1, 2, 3, 4, 5 or 6									
	5	125	60	GP	6K	85	1/2	-/A	-
	5	250	60	GP	6K				
	6	30	DC	R	6K				
RT-P02	7	14	DC	-	6K	65	1/2	-/A	-
RT-P03	16	125	60	GP	6K	85	1/1	-/A	Note 2
	16	250	60	GP	6K				
	-	125	60	3/4hp	6K				
RT-P04	16	125	60	GP	6K	95	1/1	-/A	-
	-	125	60	1/2hp	6K				
RT-P05	14	125	50/60	GP	6K	65	2/1	-/B	Note 11A
	14	250	50/60	GP	6K				
	-	125	50/60	1/2hp	6K				
	-	250	50/60	1hp	6K				
RT-S01	10	125	60	GP	6K	85	1/1	-/A	-
	6	250	60	GP	6K				
RT-S01A	10	125	60	GP	6K	85	1/1	-/A	Note 2
	6	250	60	GP	6K				
RT-S02	15	125	60	GP	6K	85	1/1	-/A	-
	8	250	60	GP	6K				
RT-S02A	15	125	60	GP	6K	85	1/1	-/A	Note 2
	8	250	60	GP	6K				
RT-S03	16	125	60	GP	6K	105	2/1	-/B	-
	16	250	60	GP	6K				
	-	125	60	1/3hp	6K				

RT-S03A	16	125	60	GP	6K	105	2/1	-/B	Note 2
	16	250	60	GP	6K				
	-	125	60	1/3hp	6K				
RT-S05	15	125	60	GP	6K	125	2/2	-/B	-
RT-S06 f/b A or Blank									
	16	125	60	GP	6K	85	1/1	-/A	Note 2
	10	250	60	GP	6K				
	-	125	60	3/4hp	6K				
	-	250	60	1hp	6K				

Note 11A - Switch may be marked with the voltage rating single or double underlined for tested using 240 V or 250 V to ground.

Note 2 - These are lighted switches employing a lamp. The usable lamp life has not been evaluated.

Marking: Company name, catalog, model or part number, electrical ratings and the Recognized Component Mark for Canada,  on the product or on the smallest unit container in which the product is packaged.

Last Updated on 2013-08-26

[Questions?](#)

[Print this page](#)

[Terms of Use](#)

[Page Top](#)

◆ 2015 UL LLC

The appearance of a company's name or product in this database does not in itself assure that products so identified have been manufactured under UL's Follow-Up Service. Only those products bearing the UL Mark should be considered to be Certified and covered under UL's Follow-Up Service. Always look for the Mark on the product.

UL permits the reproduction of the material contained in the Online Certification Directory subject to the following conditions: 1. The Guide Information, Assemblies, Constructions, Designs, Systems, and/or Certifications (files) must be presented in their entirety and in a non-misleading manner, without any manipulation of the data (or drawings). 2. The statement "Reprinted from the Online Certifications Directory with permission from UL" must appear adjacent to the extracted material. In addition, the reprinted material must include a copyright notice in the following format: "© 2015 UL LLC".



Page 1 of 1

Annex to Licence Number ENEC NO 1740
Order No 79692

Licence for use of the here shown ENEC conformity mark :



Based on:

“Agreement on the use of a commonly agreed Mark on Conformity for equipment complying with European Standards as of 12 November 1991 (in short ENEC Agreement), as revised latest by ENEC group April 16. 1997.

Nemko hereby grants the following manufacturer as licensee the right to affix this ENEC mark on the product(s) specified below.

Product	Switches for appliances
Name and address of the applicant	Rock Tek Electronics (Shenzhen) Co., Ltd. Guangguang Road, Guanlan Town, Baoan District Shenzhen City, Guangdong China
Name and address of the manufacturer	Rock Tek Electronics (Shenzhen) Co., Ltd. Guangguang Road, Guanlan Town, Baoan District Shenzhen City, Guangdong China
Name and address of the factory	Rock Tek Electronics (Shenzhen) Co., Ltd. Guangguang Road, Guanlan Town, Baoan District Shenzhen City, Guangdong China
Rating and principal characteristics	12(6)A 250V AC 50Hz
Trade mark (if any)	ROCK TEK
Model/type Ref.	RT-S02
Additional information (if necessary)	Rocker switch for incorporation, Cl. II, micro disconnection, T85/55, 10E4, pollution degree II, PTI250, single pole, IP40 when mounted as declared

The above product is certified according to EN 61058-1:2002

The conditions for this licence are that the ENEC-marked products conform with the applicable Standard(s) as stated in the Test Report with Order No: 76962

and that Articles 8 and 9 of the ENEC Agreement are fulfilled by the manufacturer.

The mark signifies the compliance of the completed products with these conditions.

Further information is given in the attached Annex, which forms an obligatory part of this licence document.

Date of issue 08 February 2007

Issued by



NEMKO ref. Person: Kenneth Thorud

Hanne Yndestad

Hanne Yndestad
Certification Department



PRODUCT CERTIFICATE

No.: CQC06002015520

NAME AND ADDRESS OF THE APPLICANT

ROCK TEK ELECTRONICS(SHEN ZHEN) CO.,LTD
Guanguang Rd,Guanlan Town,Baoan District,Shenzhen City,Guangdong,China

NAME AND ADDRESS OF THE MANUFACTURER

ROCK TEK ELECTRONICS(SHEN ZHEN) CO.,LTD
Guanguang Rd,Guanlan Town,Baoan District,Shenzhen City,Guangdong,China

NAME AND ADDRESS OF THE FACTORY

ROCK TEK ELECTRONICS(SHEN ZHEN) CO.,LTD(V006093)
Guanguang Rd,Guanlan Town,Baoan District,Shenzhen City,Guangdong,China

NAME, MODEL AND SPECIFICATION

ROCKER SWITCH

RT-S02 Series 15A 125VAC 8A 250VAC 50Hz 1E4 PTI175

THE STANDARDS AND TECHNICAL REQUIREMENTS FOR THE PRODUCTS

GB15092.1-2010

CERTIFICATION MODEL

Type Testing of Product + Initial Factory Inspection + Follow up Factory Inspection

This is to certify that the above mentioned products have met the requirements of certification rules CQC11-462124-2009.

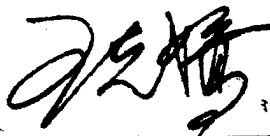
Date of issue: Apr.09,2012

Date of expiry: Apr.09,2016

Validity of this certificate is subject to positive result of the regular follow up inspection by issuing certification body until the expiry date.

Date of original certification: Feb.20,2006

President:


Wang Kejiao



CHINA QUALITY CERTIFICATION CENTRE

Section 9, No. 188, Nanhai Road, Guangzhou, Guangdong, China
http://www.cqc.com.cn

C 0025473