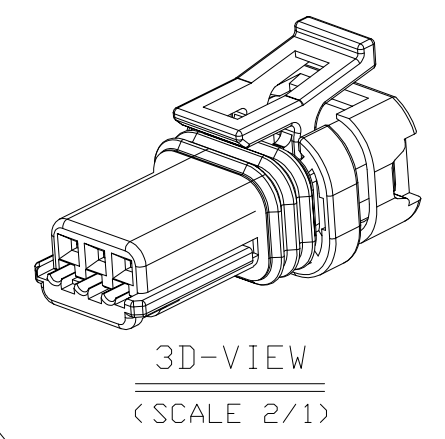
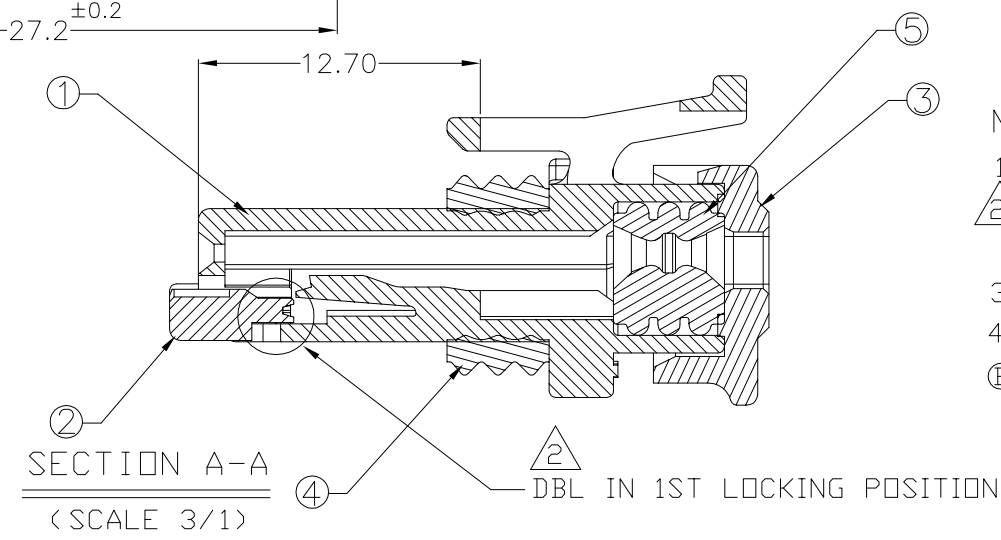
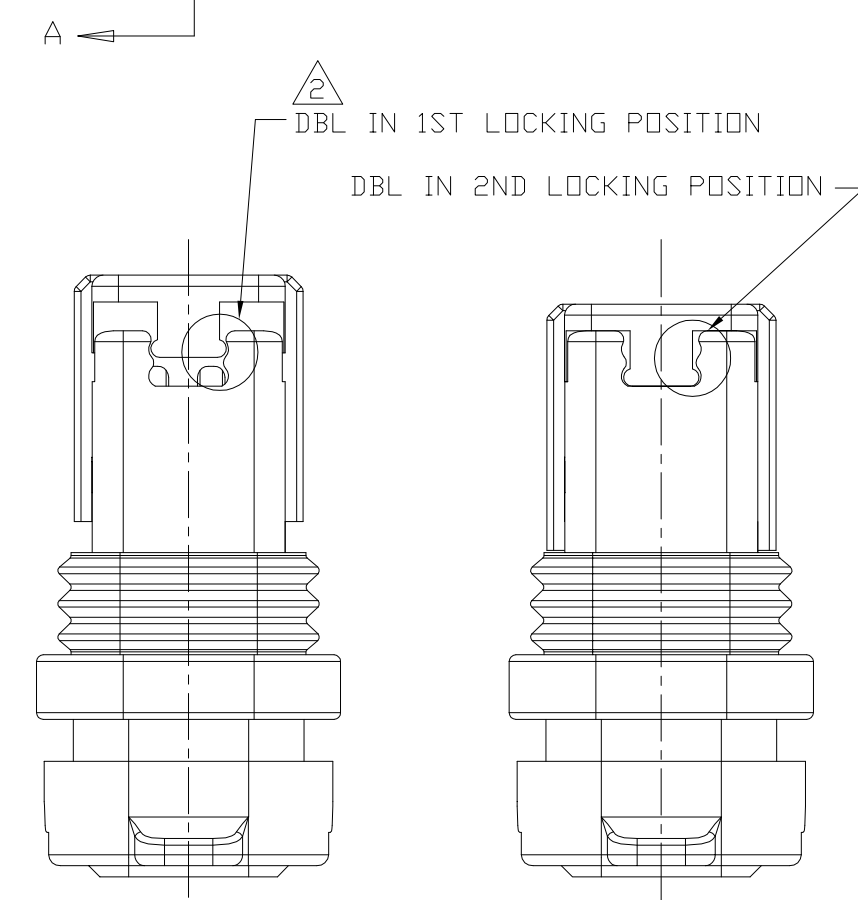
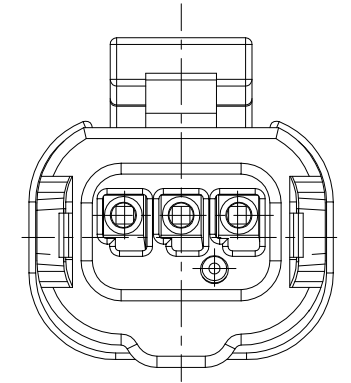
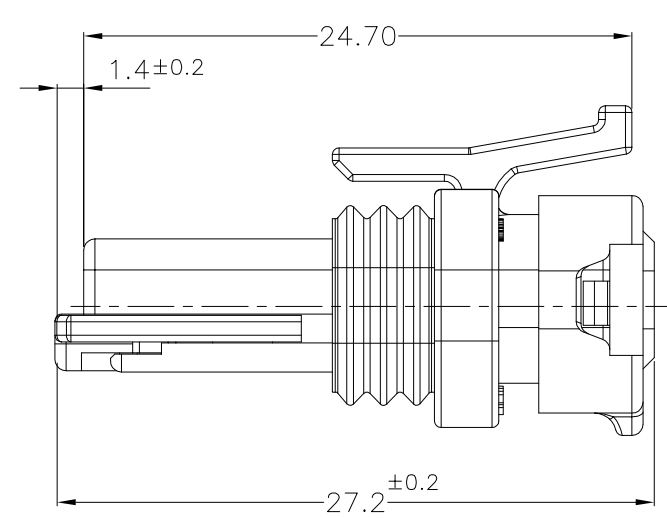
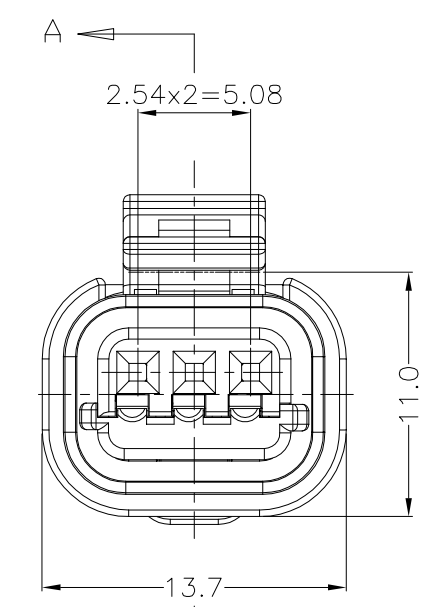


THIS DRAWING IS UNPUBLISHED. RELEASED FOR PUBLICATION
 © COPYRIGHT BY TYCO ELECTRONICS CORPORATION, ALL RIGHTS RESERVED.

REVISIONS				
P	LTR	DESCRIPTION	DATE	APVD
	A	REVISED (FC00-0191-04)	21.SEP.'04	YD. CS
	B	REVISED (ECR-08-005642)	20.MAY.'08	KT HG
	C	REVISED (ECR-14-012386)	26.AUG.'14	JM HG
	C1	REVISED (ECR-14-014192)	23.OCT.'14	JM HG



NOTES

- GENERAL TOLERANCE IS ±0.3
- CONDITION OF DELIVERY : DBL IN 1ST LOCKING POSITION
- APPLIED HEADER ASS'Y P/N: 936531
- APPLIED RECEPTACLE CONTACT P/N:

Ⓑ P/N	WIRE SIZE(mm ²)	INSULATION DIA.
1318329	0.3 ~ 0.5mm ²	MAX. ø1.7

NO	COLOR	MATERIAL	DESCRIPTION	P/N	Q'TY		
					ASS'Y P/N	1-936527-2	936527-3
⑤	RED ORANGE	SILICONE	FAMILY SEAL	936880-1	1	1	1
④	RED ORANGE	SILICONE	INNER SEAL	936879-1	1	1	1
③	GRAY	PBT GF15	SEAL RETAINER HSG	936530-3	-	1	-
	BLACK	PBT GF15	SEAL RETAINER HSG	936530-2	1	-	-
②	YELLOW	PBT GF15	SEAL RETAINER HSG	936530-1	-	-	1
	WHITE	PBT GF15	DBL HSG	936529-1	1	1	1
①	BLACK	Ⓑ PA66 GF15	PLUG HSG	936528-2	1	1	1

THIS DRAWING IS A CONTROLLED DOCUMENT FOR TYCO ELECTRONICS CORPORATION IT IS SUBJECT TO CHANGE AND THE CONTROLLING ENGINEERING ORGANIZATION SHOULD BE CONTACTED FOR THE LATEST REVISION.

DIMENSIONS: MM	TOLERANCES UNLESS OTHERWISE SPECIFIED:
	0 PLC ±
	1 PLC ±
	2 PLC ±
	3 PLC ±
	4 PLC ±
	ANGLES ±
MATERIAL	FINISH
SEE TABLE	

DWN JM JEON
 CHK JW JUNG
 APVD HG CHO
 PRODUCT SPEC -
 APPLICATION SPEC -
 WEIGHT -

NAME
TE Connectivity
 025 3P SEALED CONNECTOR FOR HLLD

SIZE A3 CAGE CODE 00779 DRAWING NO C-936527 RESTRICTED TO -

CUSTOMER DRAWING SCALE 3/1 SHEET 1 OF 1 REV C1