

Top view  
Recommended P.C.B Layout

**MATERIAL**

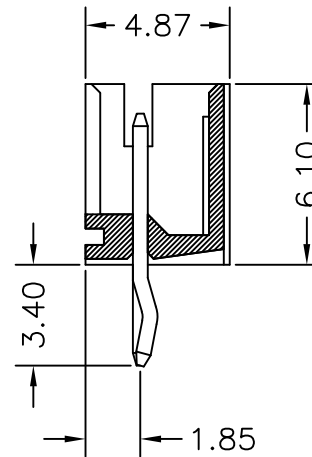
Insulator : NYLON 66+30% Glass fiber  
Contact Pin : Brass

**SPECIFICATION**

Current Rate : 2 AMP  
Dielectric voltage : 800V AC for one minute  
Insulation Resistance : 1000mΩMin.  
Contact Resistance : 20mΩMax  
适用波峰焊制程温度; 260°C±5°C 3~5s




721-8 1-06 5 W 0 0  
1 2 3 4 5



- 1. 8: Green Product
- 2. No. of contacts per row
- 3. G: Gold flash  
S: Selective  
T: Tin plated  
5: Matte Tin plated
- 4. B: Black insulator  
W: White Insulator
- 5. Pinrex internal code.



				TOLERANCE		UNITS : mm		OLD PART NO.		TITLE		 頻銳科技股份有限公司 PINREX TECHNOLOGY CORP.	
				.0 =±.30 .00 =±.20 .000 =±.XXX .0000=±. ANG.=±3'		SCALE NONE SIZE A4		DRAWER 楊海琴 CHECK 李劍		JST 2.0mm WAFER STRAIGHT TYPE			
B	修改線路, 100Ω-->20Ω	2018/06/14						SHEET 1 OF 1 REV. B		NEW PART NO. 721-81-065W00		DRAW NO. 721-81-065W00(B版)	
A	RELEASE	2014/01/13						APP'D 李劍					
REV.	DESCRIPTION	DATE											