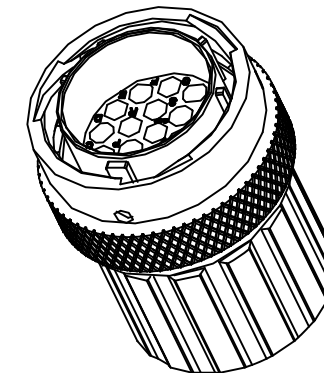
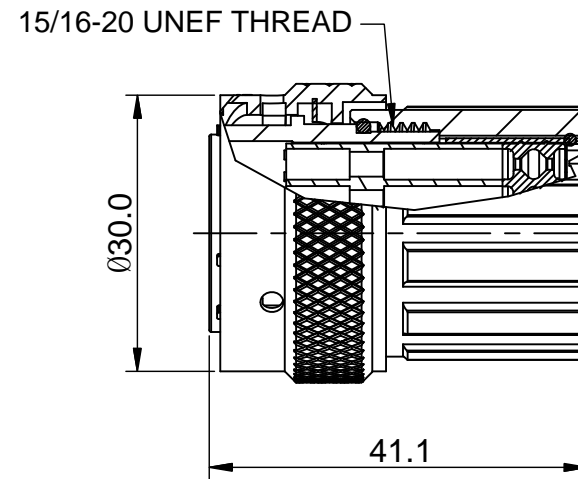
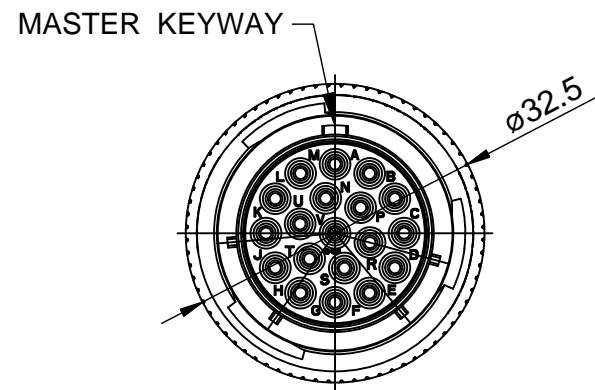


| REVISIONS | | | | | |
|-----------|-----|------------------|-------------|-----|-------|
| REV | ECO | DESCRIPTION | DATE | BY | APPR |
| B1 | - | RELEASED DRAWING | Nov-23-2014 | Ben | Tommy |



NOTES : (UNLESS OTHERWISE SPECIFIED)

- MATERIAL :
 SHELL : ZINC ALLOY , NICKEL PLATED.
 INSERT : THERMOPLASTIC , UL94 V-0.
 END CAP : THERMOPLASTIC , UL94 V-0.
 COUPLING NUT : AL ALLOY , NICKEL PLATED.
 WAVE WASHER : STAINLESS STEEL.
 O-RING : NBR/SILICONE RUBBER.
 WIRE SEAL : SILICONE RUBBER.
 PLASTIC BUSHING : THERMOPLASTIC , UL94 V-0.
- SPECIFICATIONS :
 2.1 RATED CURRENT : 13A (MAX) .
 2.2 RATED VOLTAGE : 300V (AC/DC) .
 2.3 OPERATING TEMPERATURE : SEE CHART.
 2.4 DIELECTRIC WITHSTANDING VOLTAGE : LESS THAN
 2 MILLIAMPS CURRENT LEAKAGE@2000 VOLTS AC.
 2.5 INSULATION RESISTANCE : 5000 MEGOHMS MIN.
 2.6 IP--CLASS : IP67.
 2.7 MATING CYCLES DURABILITY : 500 CYCLES(MIN).
 2.8 ROHS COMPLIANT.
- SUITABLE CONTACTS : 16# CONTACTS.
- ALL DIMENSIONS ARE FOR REFERENCE USE ONLY.
- ONTACT SIZE AND REAR SEAL WIRE RANGE :

| CONTACT SIZE | MIN. INSUL O.D. | MAX. INS O.D. | WIRE RANGE |
|--------------|-----------------|---------------|------------|
| 16# | Ø2.0mm | Ø3.2mm | 14 - 24AWG |

| KEY POS | PART NUMBER | |
|---------|---------------|-----------------|
| | -40°C ~ 105°C | -40°C ~ 125°C |
| N | RT061619PNHEC | RT061619PNHEC03 |
| W | RT061619PWHEC | RT061619PWHEC03 |
| X | RT061619PXHEC | RT061619PXHEC03 |
| Y | RT061619PYHEC | RT061619PYHEC03 |
| Z | RT061619PZHEC | RT061619PZHEC03 |

| QUANTITY | SEE PART NUMBER CHART PART NUMBER | DESCRIPTION | ITEM |
|---|---|---|---|
| MATERIALS LIST | | | |
| UNLESS OTHERWISE SPECIFIED 1) All dimensions are in metric(mm). 2) Tolerances are as follows: 1 PL DEC ±0.30 2 PL DEC ±0.15 3 PL DEC ±0.08 Fractions ±1/64 Angles ±1° 3) Note reference = | | SIGNATURES DRAWN: Ben CHECKED: ENGINEER: APPROVAL: DATE Nov-23-2014 | Amphenol Sine Systems - www.amphenol-sine.com 44724 Morley Drive Clinton Township, MI 48036 |
| MATERIAL SPECIFICATIONS: | | CUSTOMER: | ECO-MATE,PLUG, SIZE 16,19POS,PIN,END CAP. |
| PROCESS SPECIFICATIONS: | | THIS DRAWING IS SUPPLIED FOR INFORMATION ONLY. DESIGN FEATURES, SPECIFICATIONS AND PERFORMANCE DATA SHOWN HEREON ARE THE PROPERTY OF THE AMPHENOL CORPORATION. NO RIGHTS OF REPRODUCTION ARE IMPLIED. ALL DIMENSIONS ARE SUBJECT TO NORMAL MANUFACTURING VARIATIONS. | SIZE B C- |
| NEXT ASSY: | | DWG NO: RT061619P*HEC* | REVISION B1 |
| | | SCALE: NONE | SHEET 1 OF 1 |

TITLE: ECO-MATE,PLUG,SIZE 16,19POS,PIN,END CAP.

DWG NO: RT061619P*HEC*

REV: B1

SH: 1

OF: 1