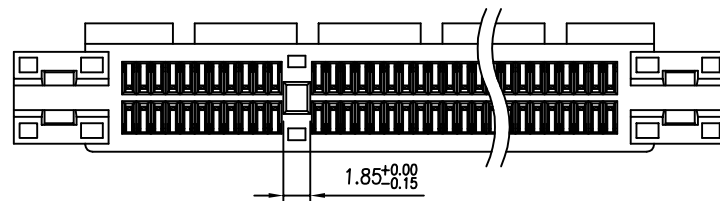
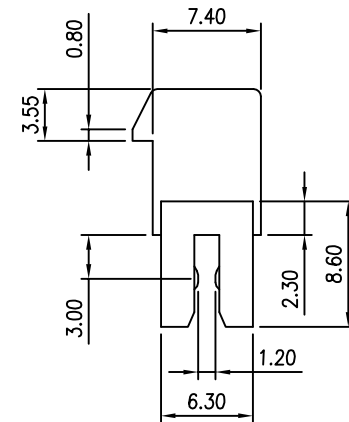
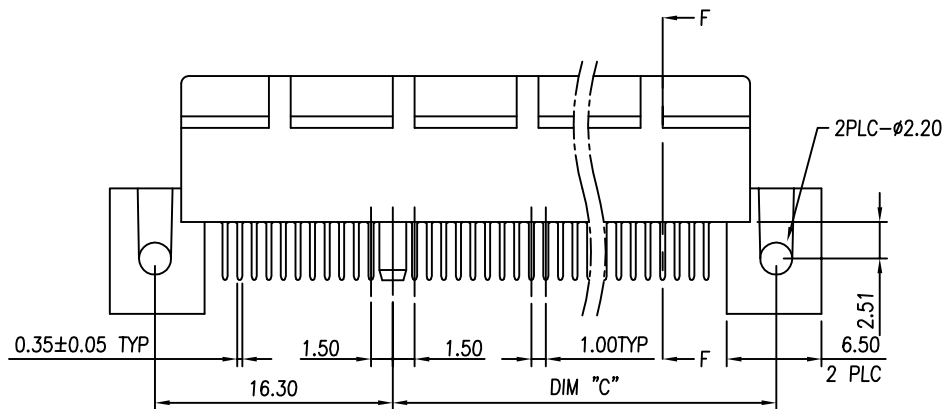
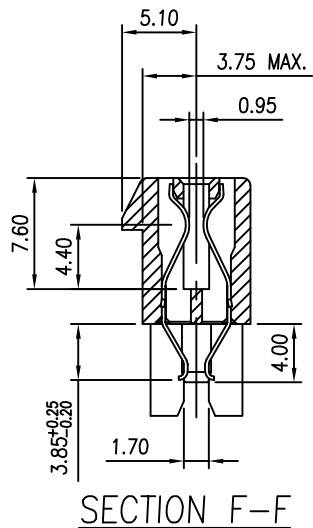
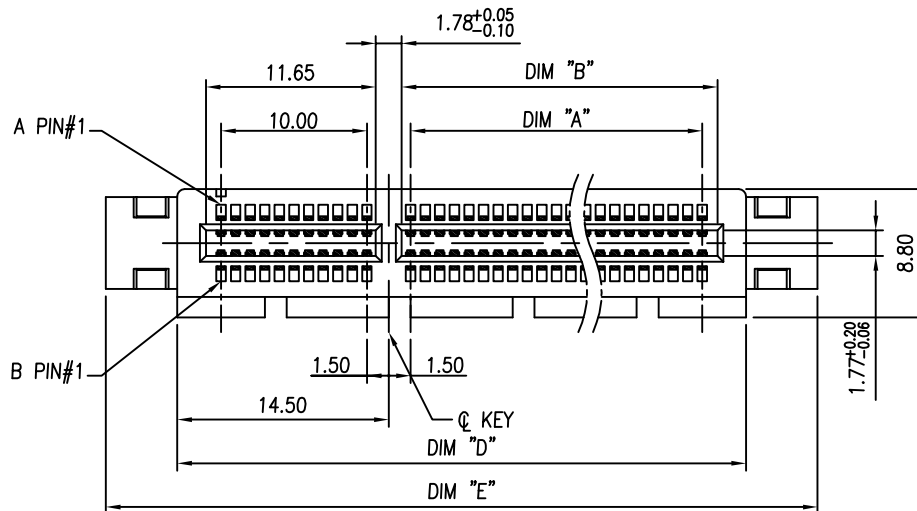


STRADDLE MOUNT

WITH MOUNTING EAR TYPE

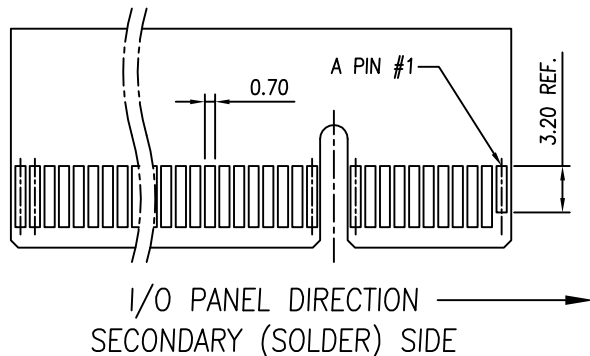
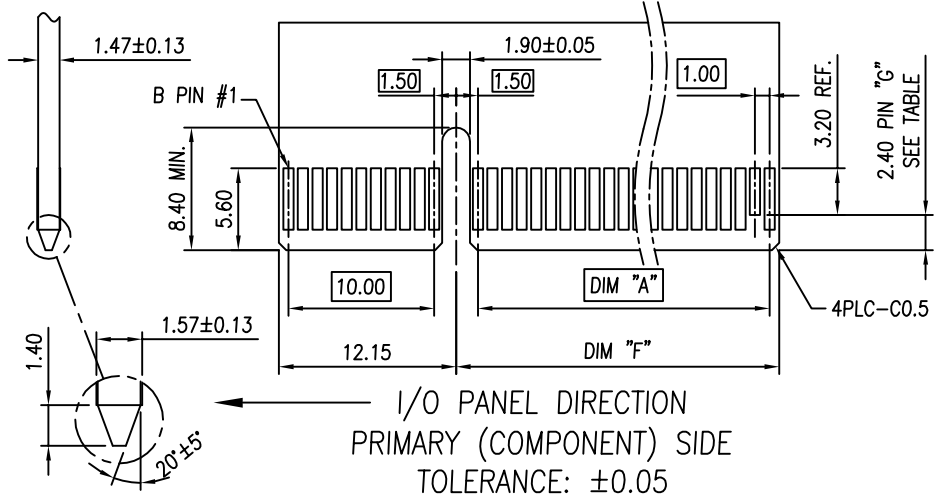


NOTES:

1. MATERIAL:
  - 1.1 HOUSING: THERMOPLASTIC, HIGH TEMP., UL94V-0; COLOR: BLACK.
  - 1.2 CONTACTS: COPPER ALLOY.
2. FINISH:
  - 2.1 CONTACT: SELECTIVE GOLD PLATING ON CONTACT AREA. 100μ" MIN. MATTE TIN PLATING ON SOLDER TAILS, 50μ" MIN. NICKEL UNDERPLATING OVERALL.
3. PRODUCT SPEC.: PS-3GIO-01

DIMENSIONS					
POSITION	A ±0.20	B <sup>+0.15</sup> / <sub>-0.05</sub>	C ±0.20	D ±0.25	E ±0.30
36	6	7.65	12.30	25.00	34.8
64	20	21.65	26.30	39.00	48.8
98	37	38.65	43.30	56.00	65.8
164	70	71.65	76.30	89.00	98.8

REV	ECN NO.	NAME	DATE	TOLERANCE		UMax conn DONGGUAN UMAXCONN ENTERPRISE LIMITED	TITLE: PCI EXPRESS 1.0mm CARD EDGE ASSY', STRADDLE MOUNT TYPE				
				LINEAR	ANGLES		PART NO.	3126-10X0D	DWG NO.	312607001	UNITS
E	10041	Terry	Jun,08,2011			APPD: Jason	MAT'L:	MM	1 : 1	1 OF 6	E
D	10017	Terry	Apr,15,2010	X.±0.40	X'±	CHKD: Schumi	FINISH:				
C	09041	Terry	Jan,20,2009	.X±0.30	.X'±	DRWN: Terry	Q'TY:				
B	08048	Schumi	Aug,19,2008	.XX±0.20	.XX'±						
REV	ECN NO.	NAME	DATE	.XXX±0.10	.XXX'±						



DIMENSIONS				
POSITION	DIM. A	DIM. C	DIM. F	PIN "G"
36	6	12.30	8.15	B PIN #B17
64	20	26.30	22.15	B PIN #B31
98	37	43.30	39.15	B PIN #B48
164	70	76.30	72.15	B PIN #B81



PART NO.

3126 - 10 X 0 X D

PCI EXPRESS Series No.

HSG Color

1: Black

TYPE

0: WITH MOUNTING EAR

Packing Options

D: Tray With Dummy Card

No. of Pins

0: 36P

1: 64P

2: 98P

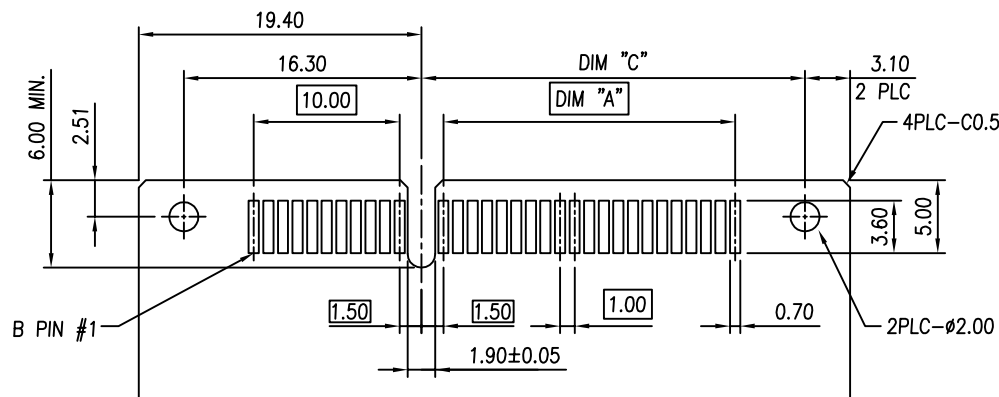
3: 164P

Contact Plating

0: 30μ", Gold

1: 15μ", Gold

2: 1μ", Gold



RECOMMENDED OF PCB DIMENSIONS

TOLERANCE: ±0.05

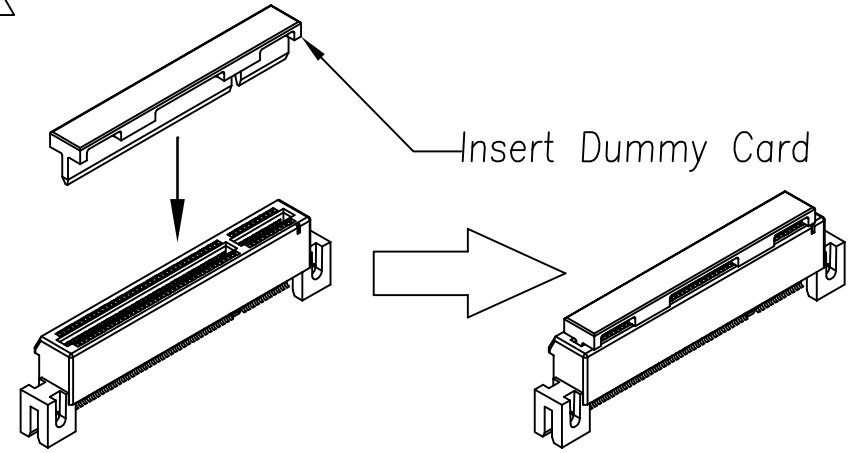
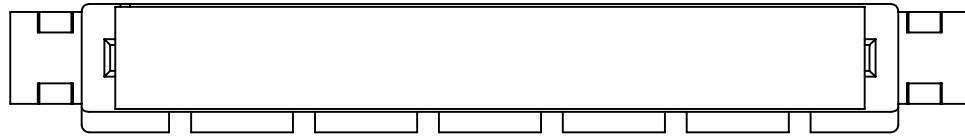
TOLERANCE		UMax conn DONGGUAN UMAXCONN ENTERPRISE LIMITED	TITLE: PCI EXPRESS 1.0mm CARD EDGE ASSY', STRADDLE MOUNT TYPE	
LINEAR	ANGLES		PART NO.	3126-10X0XD
X.	X'±	APPD: Jason	MAT'L:	DWG NO. 312607001
.X	.X'±	CHKD: Schumi	FINISH:	UNITS MM
.XX	.XX'±	DRWN: Terry	Q'TY:	SCALE 1 : 1
.XXX	.XXX'±			SHEET 2 OF 6

REV	See Sheet 1	NAME	DATE
ECN NO.			

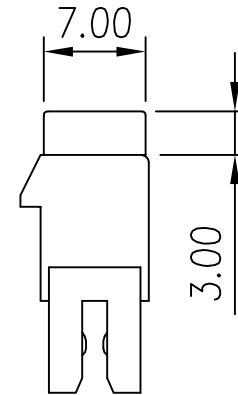
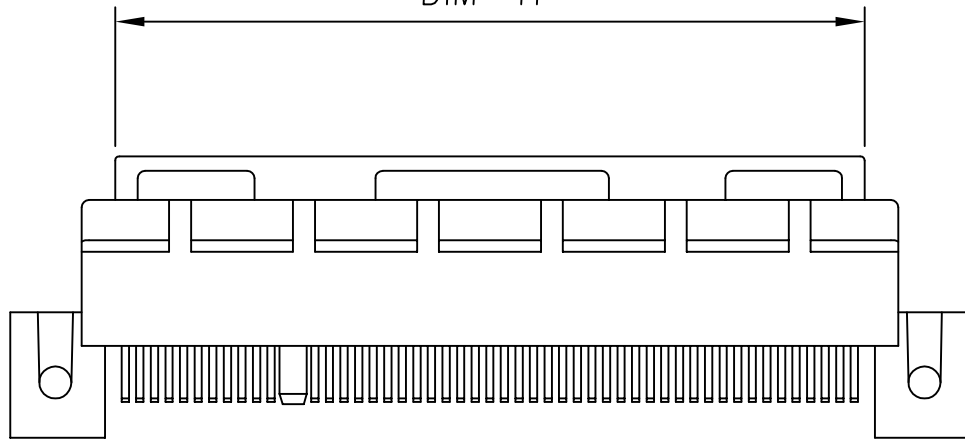
UNITS	SCALE	SHEET	REV
MM	1 : 1	2 OF 6	E

1 2 3 4 5 6 7 8

A  
B  
C  
D  
E



DIM "H"



DIMENSIONS	
POSITION	DIM. H
36	20.4
64	34.4
98	51.4
164	84.4

TOLERANCE	
LINEAR	ANGLES
.X	.X°±
.X	.X°±
.XX	.XX°±
.XXX	.XXX°±

**UMax conn** 东莞市友贸实业有限公司  
DONGGUAN UMAXCONN ENTERPRISE LIMITED

TITLE: PCI EXPRESS 1.0mm  
CARD EDGE ASSY', STRADDLE MOUNT TYPE

PART NO. 3126-10X0D

DWG NO. 312607001

APPD: Jason

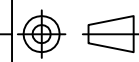
MAT'L:

CHKD: Schumi

FINISH:

DRWN: Terry

Q'TY:



UNITS	SCALE	SHEET	REV
MM	1 : 1	3 OF 6	E

REV	ECN NO.	NAME	DATE
	See Sheet 1		

1 2 3 4 5 6 7 8 CUSTOMER