

Common mode filters

Automotive power line (for infotainment)

ACM-V series



AEC-Q200

ACM4520V type



FEATURES

- By adopting a dedicated core, we have achieved compactness while maintaining high impedance characteristics.
- Low profile design makes it optimal for surface mounting.
- The product series is designed for use up to 1.5A in an environment of 125°C.
- Operating temperature range: -40 to +125°C (including self-temperature rise)
- Compliant with AEC-Q200

APPLICATION

- Measures against common mode noise in power lines for various DC power lines, multimedia devices, and various electronic devices for automotive information applications.
- Application guides: [Car Infotainment](#)

PART NUMBER CONSTRUCTION

| | | | | | | | | |
|-------------|------------------------------------|---|----------------------------|---|-----------------|---|-----------------|---------------|
| ACM | 4520V | - | 231 | - | 2P | - | T | 00 |
| Series name | L×W×H dimensions 4.7×4.5×2.0 mm | | Impedance (Ω) at 100MHz | | Number of lines | | Packaging style | Internal code |

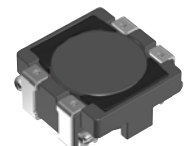
CHARACTERISTICS SPECIFICATION TABLE

| Common mode impedance [at 100MHz] | | DC resistance [1 line] | Rated current | Rated voltage | Insulation resistance | Part No. |
|--------------------------------------|---------|---------------------------|---------------|---------------|-----------------------|-------------------------------------|
| (Ω)min. | (Ω)typ. | (Ω)max. | (A)max. 125°C | (V)max. | (MΩ)min. | |
| 180 | 230 | 0.05 | 1.5 | 50 | 10 | ACM4520V-231-2P-T00 |
| 300 | 420 | 0.055 | 1.4 | 50 | 10 | ACM4520V-421-2P-T00 |
| 650 | 900 | 0.06 | 1.2 | 50 | 10 | ACM4520V-901-2P-T00 |
| 1000 | 1400 | 0.08 | 1.0 | 50 | 10 | ACM4520V-142-2P-T00 |

Measurement equipment

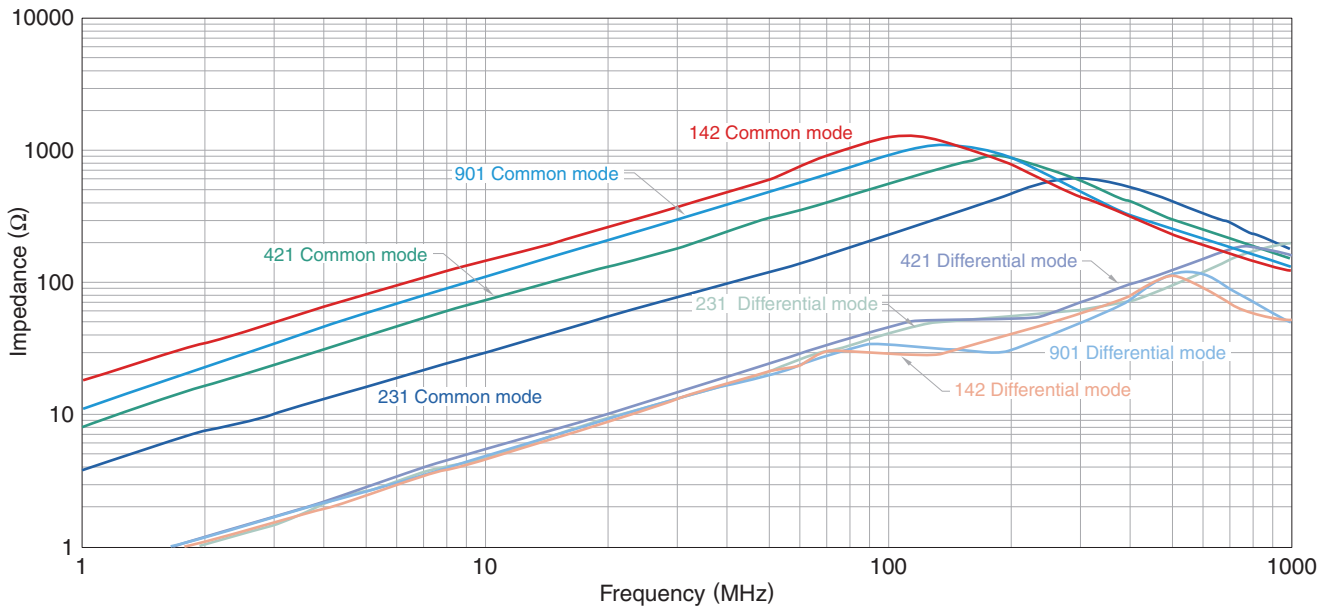
| Measurement item | Product No. | Manufacturer |
|-----------------------|-------------|-----------------------|
| Common mode impedance | 4991A | Keysight Technologies |
| DC resistance | 4338A | Keysight Technologies |
| Insulation resistance | 4339A | Keysight Technologies |

* Equivalent measurement equipment may be used.



ACM4520V type

■ IMPEDANCE VS. FREQUENCY CHARACTERISTICS



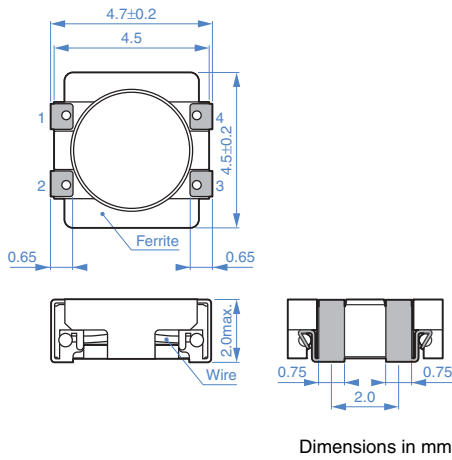
Measurement equipment

| Product No. | Manufacturer |
|-------------|-----------------------|
| 4991A | Keysight Technologies |

* Equivalent measurement equipment may be used.

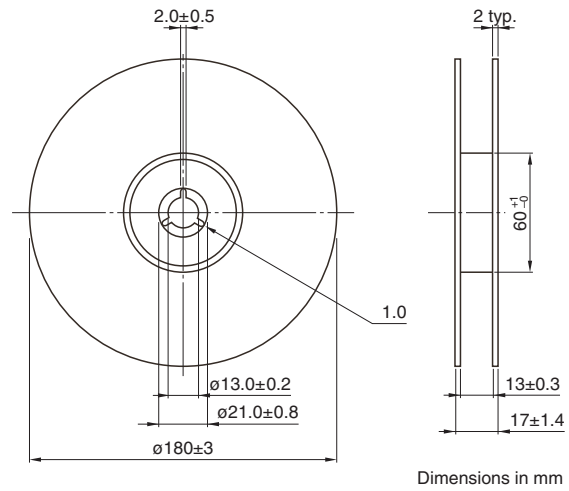
ACM4520V type

SHAPE & DIMENSIONS

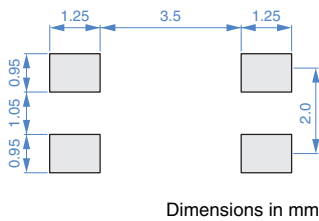


PACKAGING STYLE

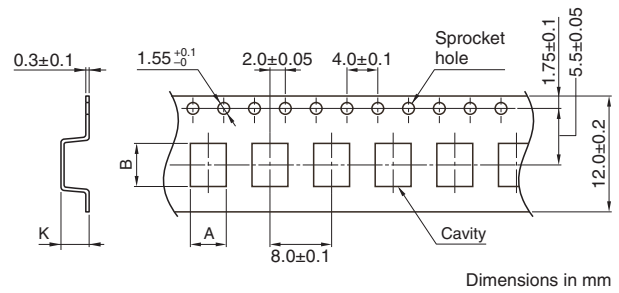
REEL DIMENSIONS



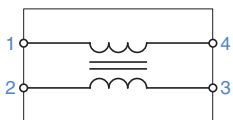
RECOMMENDED LAND PATTERN



TAPE DIMENSIONS

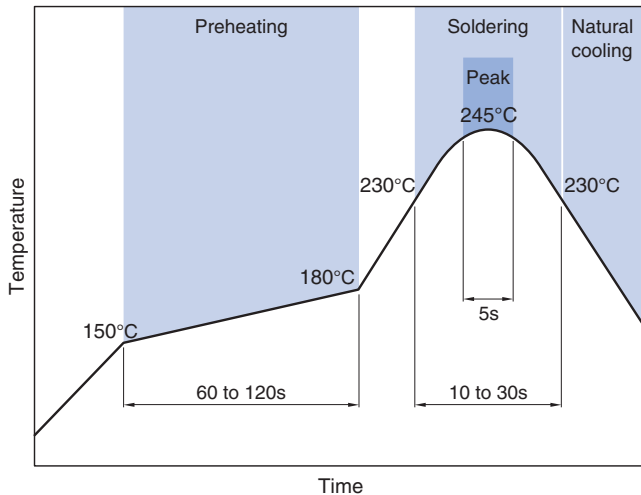


CIRCUIT DIAGRAM

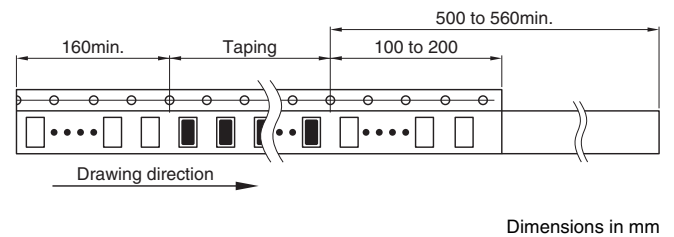


• No polarity

RECOMMENDED REFLOW PROFILE



| Type | A | B | K |
|----------|----------|----------|-----------|
| ACM4520V | 4.75±0.1 | 5.05±0.1 | 2.05±0.05 |



PACKAGE QUANTITY

| | |
|------------------|--------------|
| Package quantity | 800 pcs/reel |
|------------------|--------------|

TEMPERATURE RANGE, INDIVIDUAL WEIGHT

| Operating temperature range* | Storage temperature range** | Individual weight |
|------------------------------|-----------------------------|-------------------|
| -40 to +125 °C | -40 to +125 °C | 0.138 g |

* The operating temperature range of this product includes self-heating. When using the product in an environment at 125°C, use the product within the current range shown in the table on page 1/4 of this catalog.

** The storage temperature range is for after the assembly.

REMINDERS FOR USING THESE PRODUCTS

Before using these products, be sure to request the delivery specifications.

SAFETY REMINDERS

Please pay sufficient attention to the warnings for safe designing when using this products.

REMINDERS

- The storage period is less than 12 months. Be sure to follow the storage conditions (temperature: 5 to 40°C, humidity: 10 to 75% RH or less).
If the storage period elapses, the soldering of the terminal electrodes may deteriorate.
- Do not use or store in locations where there are conditions such as gas corrosion (salt, acid, alkali, etc.).
- Before soldering, be sure to preheat components.
The preheating temperature should be set so that the temperature difference between the solder temperature and chip temperature does not exceed 150°C.
- Soldering corrections after mounting should be within the range of the conditions determined in the specifications.
If overheated, a short circuit, performance deterioration, or lifespan shortening may occur.
- When embedding a printed circuit board where a chip is mounted to a set, be sure that residual stress is not given to the chip due to the overall distortion of the printed circuit board and partial distortion such as at screw tightening portions.
- Self heating (temperature increase) occurs when the power is turned ON, so the tolerance should be sufficient for the set thermal design.
- Carefully lay out the coil for the circuit board design of the non-magnetic shield type.
A malfunction may occur due to magnetic interference.
- Use a wrist band to discharge static electricity in your body through the grounding wire.
- Do not expose the products to magnets or magnetic fields.
- Do not use for a purpose outside of the contents regulated in the delivery specifications.
- The products listed on this catalog are intended for use in general electronic equipment (AV equipment, telecommunications equipment, home appliances, amusement equipment, computer equipment, personal equipment, office equipment, measurement equipment, industrial robots) under a normal operation and use condition.
The products are not designed or warranted to meet the requirements of the applications listed below, whose performance and/or quality require a more stringent level of safety or reliability, or whose failure, malfunction or trouble could cause serious damage to society, person or property.
If you intend to use the products in the applications listed below or if you have special requirements exceeding the range or conditions set forth in the each catalog, please contact us.

- (1) Aerospace/aviation equipment
- (2) Transportation equipment (electric trains, ships, etc.)
- (3) Medical equipment
- (4) Power-generation control equipment
- (5) Atomic energy-related equipment
- (6) Seabed equipment
- (7) Transportation control equipment

- (8) Public information-processing equipment
- (9) Military equipment
- (10) Electric heating apparatus, burning equipment
- (11) Disaster prevention/crime prevention equipment
- (12) Safety equipment
- (13) Other applications that are not considered general-purpose applications

When designing your equipment even for general-purpose applications, you are kindly requested to take into consideration securing protection circuit/device or providing backup circuits in your equipment.

Mouser Electronics

Authorized Distributor

Click to View Pricing, Inventory, Delivery & Lifecycle Information:

[TDK:](#)

[ACM4520V-901-2P-T00](#) [ACM4520V-231-2P-T00](#) [ACM4520V-421-2P-T00](#) [ACM4520V-142-2P-T00](#) [ACM4520V-901-2P-TL00](#) [ACM4520V-142-2P-TL00](#) [ACM4520V-231-2P-TL00](#) [ACM4520V-421-2P-TL00](#)