



深圳市首韩科技有限公司

SHENZHEN SHOUHAN TECHNOLOGY CO.,LTD

Tel: 0755-27597601 Fax: 0755-27597491

# 承 认 书

## SPECIFICATION FOR APPROVAL

客 户 Customer:

\_\_\_\_\_

产品名称 Project:

Micro USB

\_\_\_\_\_

规格型号 Part No:

MicroXNJ (MICRO小牛角卷边)

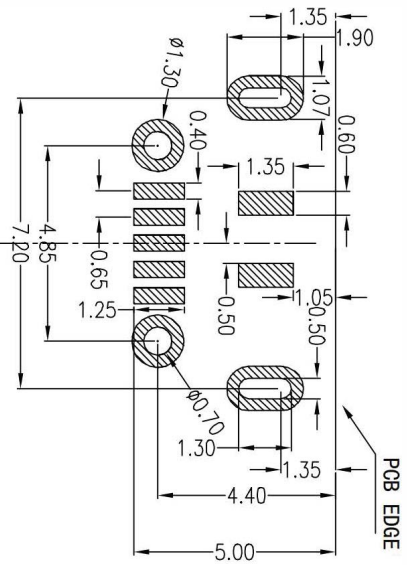
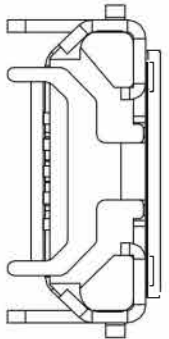
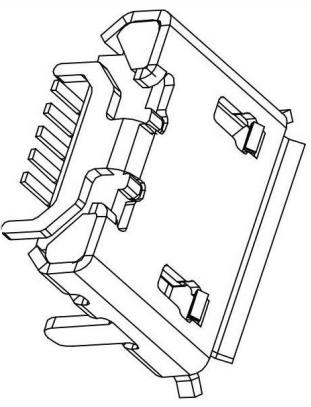
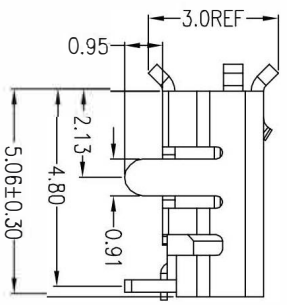
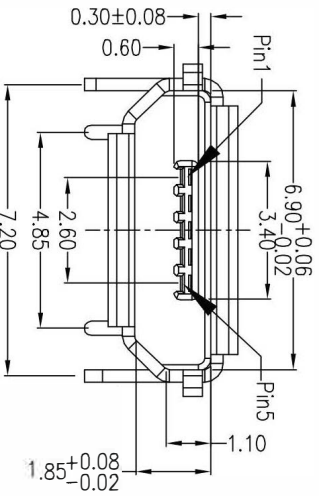
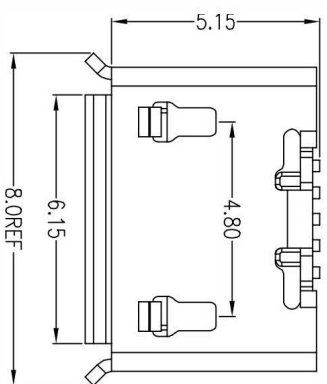
\_\_\_\_\_

### 贵公司承认印 Approval signatures

料 号/Part No.	签 章/Signatures

日期 Date:

拟制/Drawn	李春风	
审核/Check	刘学	
批准/Approved	罗孝金	



- 3.2: Mechanical:  
 Mating force: 35N Max.  
 Unmating force: 8-35N Min.  
 Durability: 3000cycles MIN.  
 3.3: Operating temperature: -20°C To +85°C

- NOTE:  
 1. Material:  
 Housing: LCP Black; Thermoplastics: UL94V-0  
 Contact: Phosphor Bronze;  
 Shell: Copper alloy  
 2. FINISH:  
 Contact: Au Plated on Contact Area,  
 Au Plated on Solder Tails,  
 Nickel Underplating Over All.  
 Shell: Tin Underplating Over All.  
 3. Specification:  
 3.1: Electrical:  
 Rated current: 1.0A Max.  
 Rated voltage: 30V AC/DC.  
 Insulation Resistance: 1000MΩ Min.  
 Contact Resistance: 30 mΩ Max.  
 Withstanding Voltage: 100V/AC

REV.		ECN NO.	LOCATION	DESCRIPTION	DATE
REVISIONS					
INITIAL RELEASE					

SCALE	DESIGNER	DESIGNED	DATE	SHEET
N/A	李春风	14/03/12	14/03/12	1/1
REV A	刘学	罗孝金	23/11/12	

UNLESS OTHERWISE SPECIFIED  
 DIMENSIONS ARE IN mm

TOLERANCE  
 ± 0.15  
 ± 0.25  
 ± 0.35  
 3°

Brand MODEL: MicroXNJ (MICRO小牛角卷边)

PART. NO.

DWG. NO.

首科 SHOUKE  
 深圳市首科科技有限公司