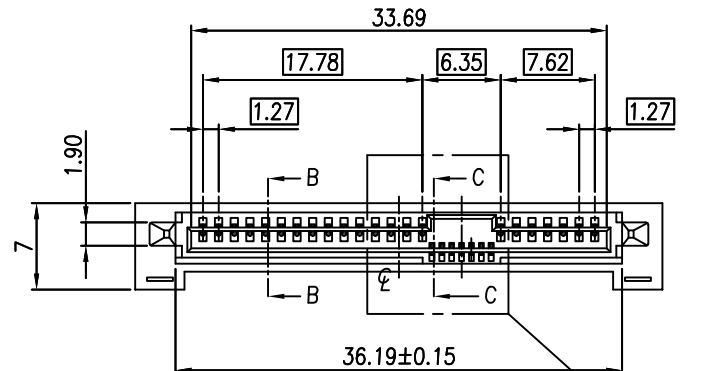
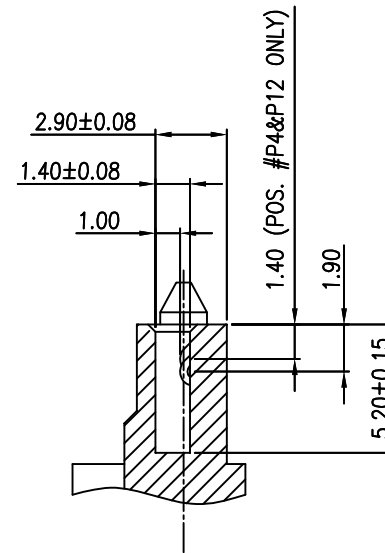


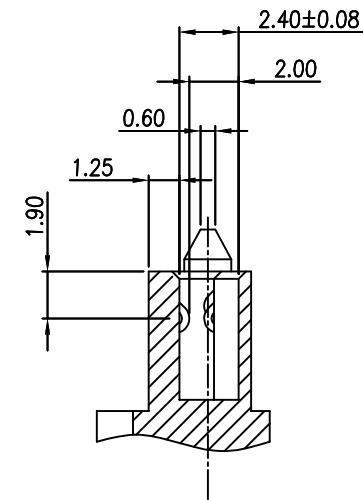
DETAIL A SCALE 2 : 1



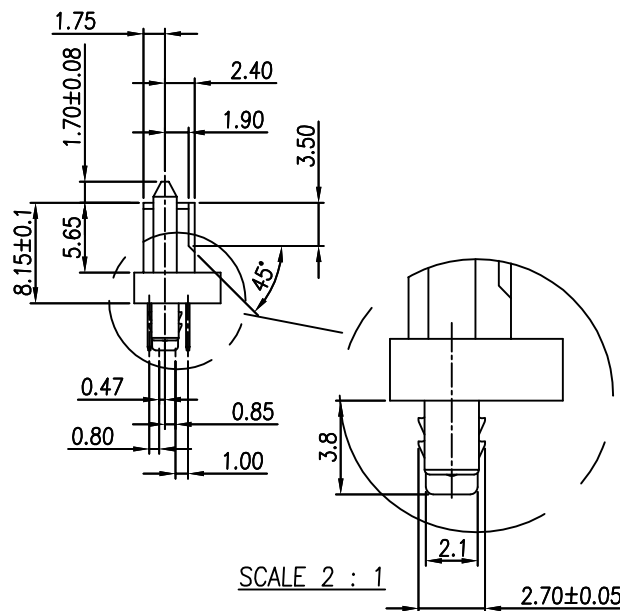
SEE DETAIL A



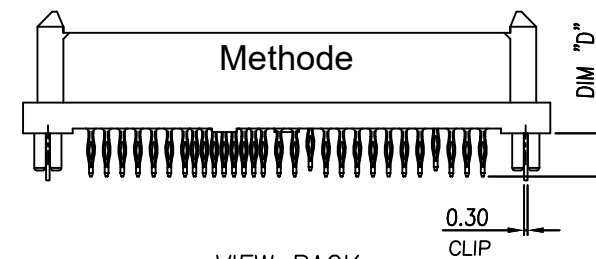
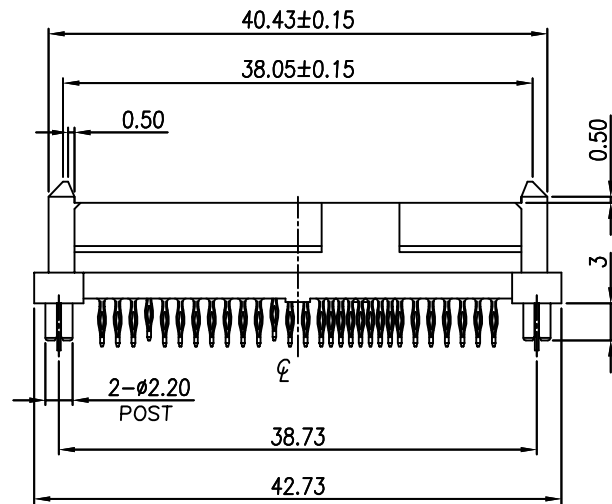
SECTION B-B SCALE 2 : 1



SECTION C-C SCALE 2 : 1



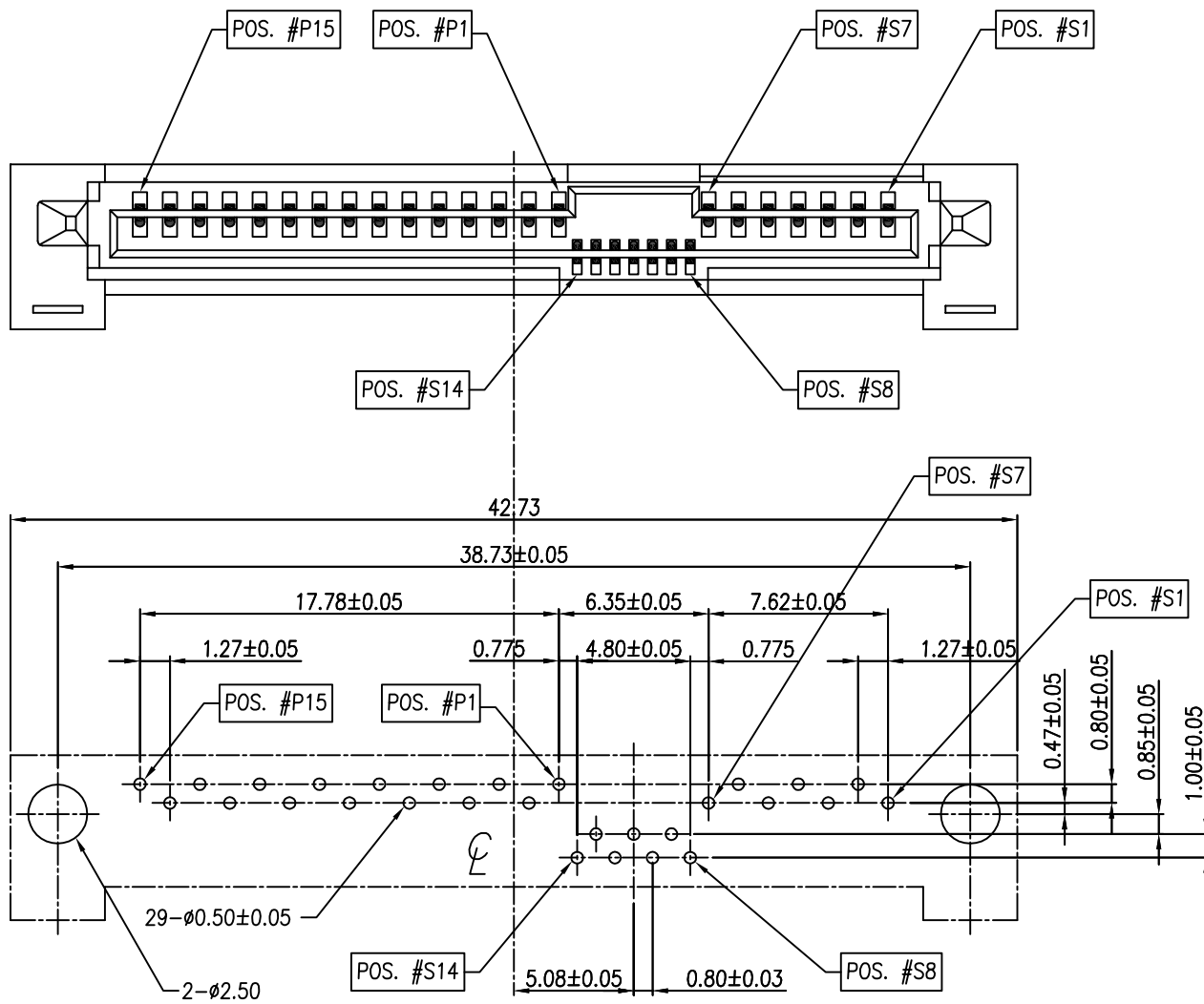
SCALE 2 : 1



VIEW BACK

PRESS IN TYPE

				TOLERANCE		UMax conn 东莞市友贸实业有限公司 DONGGUAN UMAXCONN ENTERPRISE LIMITED		TITLE: SERIAL ATTACHED SCSI HOST RECEPTACLE CONNECTOR				
				LINEAR	ANGLES			PART NO. SM06097-SA29RA-1LXT				
B	09006	Terry	Feb,16,2009	.X±0.30	.X°±	APPD:	Jason	MAT'L:	DWG NO. C-610305-1			
A	09001	Terry	Feb,03,2009	.XX±0.20	.XX°±	CHKD:	Schumi	FINISH:	UNITS	SCALE	SHEET	REV
REV	ECN NO.	NAME	DATE	.XXX±0.10	.XXX°±	DRWN:	Terry	Q'TY:	MM	1 : 1	1 OF 2	B



NOTE:

1. MATERIAL

- 1.1 HOUSING: HIGH TEMPERATURE THERMOPLASTIC., UL 94V-0, COLOR: BLACK
- 1.2 CONTACT: COPPER ALLOY. t=0.30mm.
- 1.3 CLIP: SUS, S301 t=0.30mm.

2. FINISH:

- 2.1 CONTACT AREA: SELECTIVE GOLD PLATING.
- 2.2 TERMINATION AREA: 3u" MIN. GOLD.
- 2.3 OVERALL: 30u" MAX. NICKEL UNDERPLATING.

PART NO:

SM06097-SA29RA-1 X X T

HOUSING MATERIAL: LCP, COLOR BLACK
 CONTACT PLATING OPTION: R: GOLD FLASH, 5: 15u"AU, 8: 30u"AU

CONNECTOR PIN ASSIGNMENTS

Pos.	FUNCTION	DIM D	Pos.	FUNCTION	DIM D
S1	GROUND	3.5	P1	3.3 V	3.5
S2	RP+		P2	3.3 V	
S3	RP-		P3	3.3 V	
S4	GROUND		P4	GROUND	3.0
S5	TP-		P5	GROUND	
S6	TP+		P6	GROUND	3.5
S7	GROUND		P7	5 V	
S8	GROUND		P8	5 V	
S9	RS+		P9	5 V	
S10	RS-		P10	GROUND	
S11	GROUND		P11	GROUND	3.0
S12	TS-		P12	GROUND	
S13	TS+		P13	12 V	
S14	GROUND		P14	12 V	3.5
--	---	P15	12 V		

RECOMMENDED PCB LAYOUT, THICKNESS: 3.0mm

				TOLERANCE		UMax conn 东莞市友贸实业有限公司 DONGGUAN UMAXCONN ENTERPRISE LIMITED			TITLE: SERIAL ATTACHED SCSI HOST RECEPTACLE CONNECTOR			
				LINEAR	ANGLES				PART NO.			
B	09006	Terry	Feb,16,2009	.X±	.X'±	APPD:	Jason	MAT'L:	DWG NO. C-610305-1			
A	09001	Terry	Feb,03,2009	.XX±	.XX'±	CHKD:	Schumi	FINISH:	UNITS: MM SCALE: 1:1 SHEET: 2 OF 2 REV: B			
REV	ECN NO.	NAME	DATE	.XXX±	.XXX'±	DRWN:	Terry	Q'TY:	CUSTOMER			