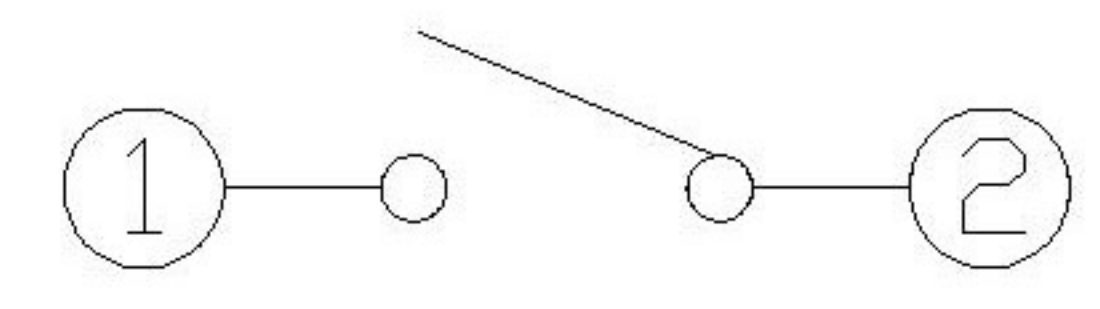


CIRCUIT DIAGRAM

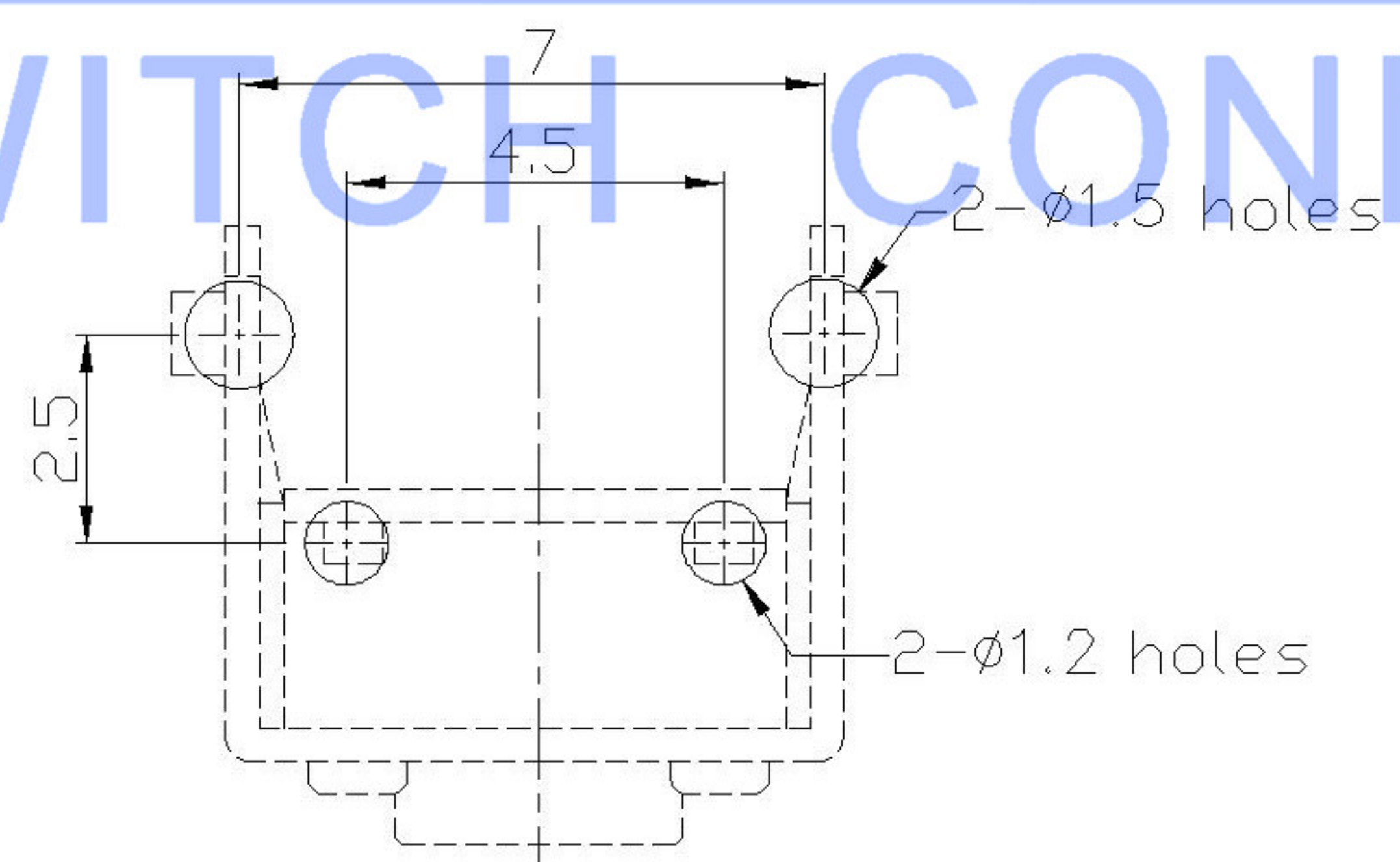
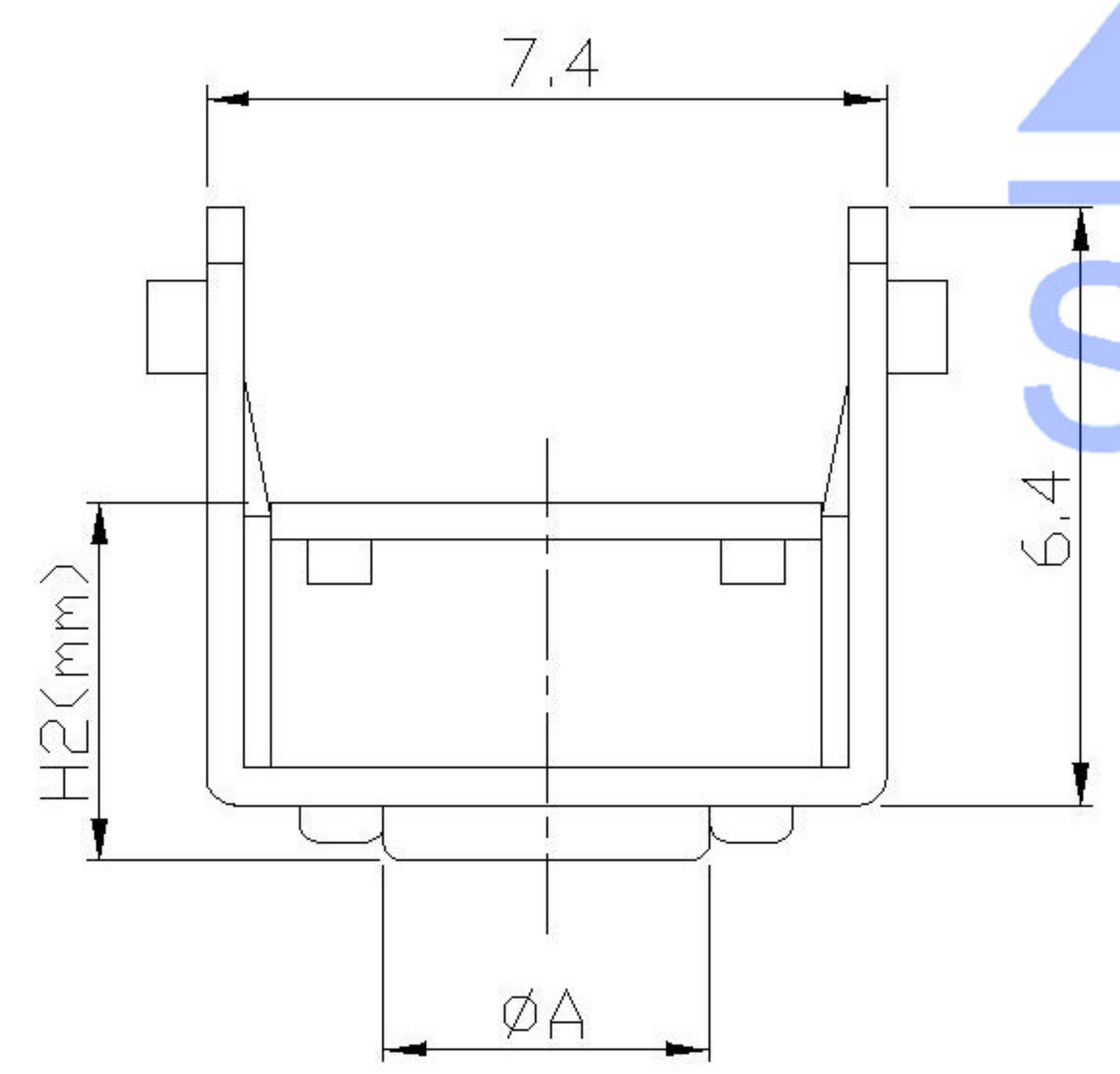


H	H1	H2	∅A	L
A1	3.15	4.3	3.5	3.7
AS	3.35	4.5	3.5	
A	3.85	5.0	3.5	
AL	4.35	5.5	3.4	
Q	4.85	6.0	3.4	
QL	5.35	6.5	3.4	
B	5.85	7.0	3.4	
E	6.15	7.3	3.4	
EL	6.35	7.5	3.4	
C	6.85	8.0	3.4	
CL	7.35	8.5	3.4	
DS	7.85	9.0	3.4	
D	8.35	9.5	3.4	
DL	8.85	10.0	3.0	
KS	9.35	10.5	3.0	
K	9.85	11.0	3.0	
KL	10.35	11.5	3.0	
FS	10.85	12.0	3.0	
F	11.35	12.5	3.0	
FL	11.85	13.0	3.0	
G	12.35	13.5	3.0	
∅	12.85	14.0	3.0	
X	13.35	14.5	3.0	
Y	13.85	15.0	3.0	
Z	14.85	16.0	3.0	
J	15.15	16.3	3.0	
I	15.85	17.0	3.0	
T	∅2.4X2.4			
TA	∅2.8X2.8			

SPECIFICATION

Contact Rating 50mA, 12V DC
 Contact Resistance 100mΩ max.
 Insulation Resistance 100MΩ min. 500V DC
 Dielectric Strength 250V AC/1 minute
 Travel 0.25 mm
 Operating Temp. -25°C +70°C
 Storage Temp. -30°C +80°C

P.C.B MOUNTING PATTERN DIMENSION
 The following soldering patterns are recommended for reflow soldering



PAPT NO	TC-1102N-X-X-X
Operating Force	A:100gf B:160gf C:260gf
Height	H
color	B:Black BR: Brown R: Red O: Orange G: Green Y: Yellow BL: Blue W: White

MARK	DESCRIPTION	DATE	REVISED	APPROVED	UNSPECIFIED TOLERANCES	DSND	DATE	SCALE: N/A	MODEL TYPE: TACT SWITCH
Δx					ANGULAR ±5°			VIEW:	PART NO.: TC-1102N
Δx					L ≤ 4 ±0.2	DWN	DATE	UNIT: mm	DWG NO.: TC-1102N-X-X-X
Δx					4 < L ≤ 16 ±0.3	CHKD	DATE	SIZE: A4	WEIGHT 1.0g
					16 < L ≤ 63 ±0.4	APPD	DATE		SHEET 1/1
					L > 63 ±0.5				REVISION A0