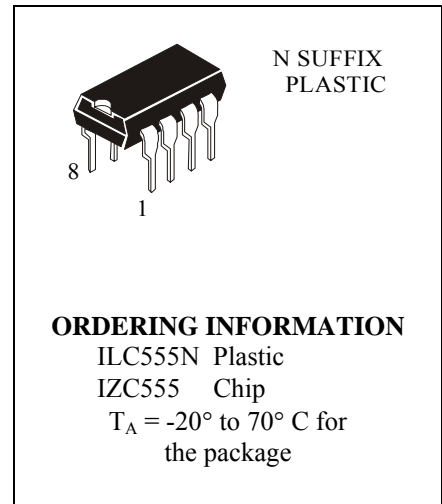


## CMOS general purpose timer

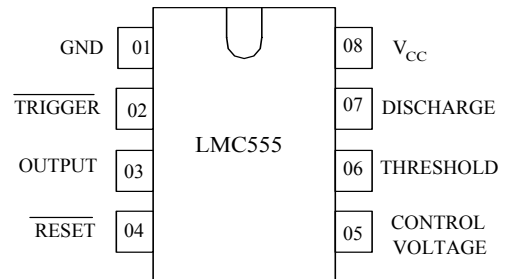
The LMC555 is CMOS RC timers providing significantly improved performance over the standard SE/NE555 and 355 timers, while at the same time being direct replacements for those devices in most applications. Improved parameters include low supply current, wide operating supply voltage range, low THRESHOLD, TRIGGER and RESET currents, no crowbaring of the supply current during output transitions, higher frequency performance and no requirement to decouple CONTROL VOLTAGE for stable operation.

Specifically, the LMC555 is stable controller capable of producing accurate time delays of frequencies.

- Exact equivalent in most cases for SE/NE555.
- Low Supply Current.
- High speed operation – 500 kHz guaranteed.
- Wide operation supply voltage range – 2 to 18 volts.
- Timing from microseconds through hours.
- Operates in both astable and monostable modes.
- Adjustable duty cycle.
- High output source/sink driver can drive TTL/CMOS



### PIN ASSIGNMENT



**TRUTH TABLE**

THRESHOLD	TRIGGER	RESET	OUTPUT	DISCHARGE
X	X	L	L	ON
$> 2/3 \cdot V_{CC}$	$> 1/3 \cdot V_{CC}$	H	L	ON
$< 2/3 \cdot V_{CC}$	$> 1/3 \cdot V_{CC}$	H	STABLE	STABLE
X	$< 1/3 \cdot V_{CC}$	H	H	OFF

**MAXIMUM RATINGS AND RECOMMENDED OPERATING CONDITIONS**

Parameter, unit	Symbol	Recommended operating conditions		Maximum ratings	
		Value		Value	
		min	max	min	max
Supply Voltage, V	$V_{CC}$	2.0	18.0	0	18.0
Output Current, mA	$I_O$	-	20	-	100
Input Voltage, V	$V_{TH}, V_{TRIG}, V_{RST}$	-	-	-0.3	$V_{CC}+0.3$
Power Dissipation, mW	$P_D$	-	-	-	200
Operating Temperature, °C	$T_{OPR}$	-20	70	-20	85
Storage Temperature, °C	$T_{STG}$	-	-	-65	150
Lead Temperature, 1 mm from Case for 10 Seconds, °C	$T_{SOLDER}$	-	-		260

**DC ELECTRICAL CHARACTERISTICS** (Voltages Referenced to GND)

Parameter, units	Symbol	Test Conditions		Value		Temperature, °C
		I <sub>OL</sub> , I <sub>OH</sub>	V <sub>CC</sub> , B	min	max	
Threshold Voltage, V	V <sub>TH</sub>		5.0	0.65 V <sub>CC</sub>	0.70 V <sub>CC</sub>	25±10
				0.60 V <sub>CC</sub>	0.80 V <sub>CC</sub>	-20, 70
Trigger voltage, V	V <sub>TRIG</sub>		5.0	0.31 V <sub>CC</sub>	0.36 V <sub>CC</sub>	25±10
				0.28 V <sub>CC</sub>	0.40 V <sub>CC</sub>	-20, 70
Reset voltage, V	V <sub>RST</sub>		2.0	0.4	1.0	25±10
			18.0			
			2.0	0.2	1.5	-20, 70
			18.0			
Control Voltage Lead, V	V <sub>CV</sub>			0.65 V <sub>CC</sub>	0.69 V <sub>CC</sub>	25±10
				0.60 V <sub>CC</sub>	0.80 V <sub>CC</sub>	-20, 70
Output voltage Low, V	V <sub>OL</sub>	I <sub>OL</sub> = 3.2 mA	5.0		0.4	25±10
		I <sub>OL</sub> = 20 mA	15.0		1.0	
		I <sub>OL</sub> = 3.2 mA	5.0		0.6	-20, 70
		I <sub>OL</sub> = 20 mA	15.0		1.5	
Output voltage High, V	V <sub>OH</sub>	I <sub>OH</sub> = -0.8 mA	5.0	4.0		25±10
			15.0	14.3		
			5.0	3.5		-20, 70
			15.0	14.0		
Supply Current, μA	I <sub>CC</sub>		2.0		200	25±10
			18.0		300	
			2.0		400	-20, 70
			18.0		600	

**AC ELECTRICAL CHARACTERISTICS**

Parameter, unit	Symbol	Test Conditions		Value		Temperature, °C
		R <sub>L</sub> , C <sub>L</sub>	V <sub>CC</sub> , V	Min	Max	
Rise (Fall) Time of Output, ns	t <sub>rHL</sub> , t <sub>rLH</sub>	R <sub>L</sub> = 10 MΩ, C <sub>L</sub> = 10 pF	5.0	35	75	25±10
				70	150	-20, 70
Guaranteed Max Osc Freq, kHz	f <sub>MAX</sub>	Astable Operation	2.0-18.0	500		25±10
				200		-20, 70
Initial accuracy, %				5		
Drift with Temperature, %/°C	αf	R <sub>L</sub> = 1 - 100 kΩ, C <sub>L</sub> = 0.1 μF	5.0		0.02	-20, 70
				10.0	0.03	
				15.0	0.06	
Drift with Supply Voltage, %/B	Δf		5.0		3	25±10
					6	-20, 70

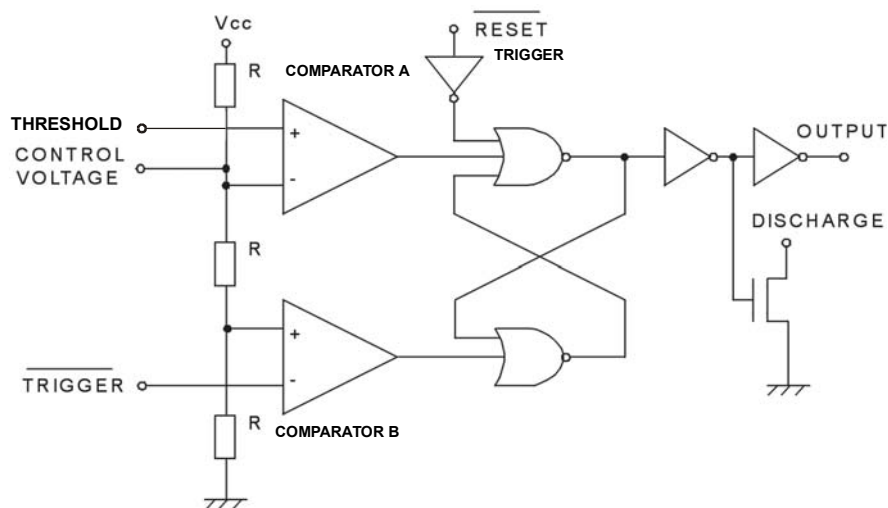


Figura 1. Block Diagram

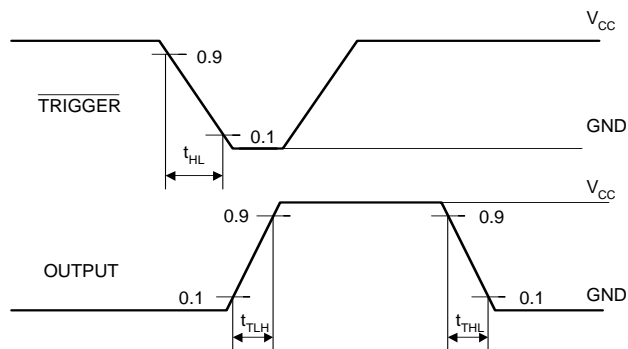


Figura 2. Switching Waveforms