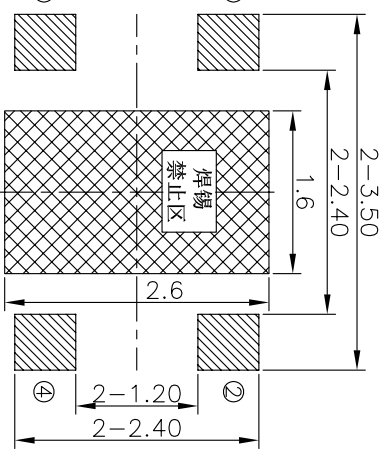
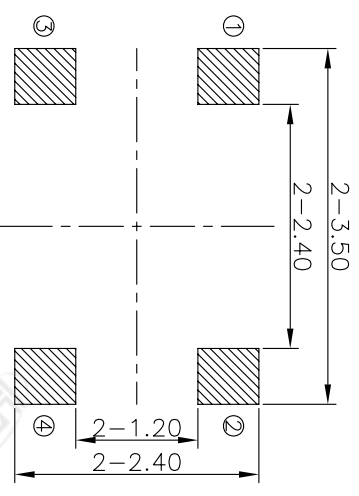
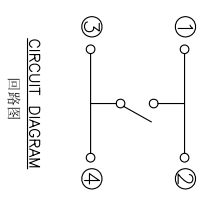
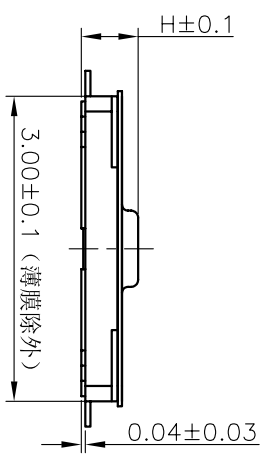
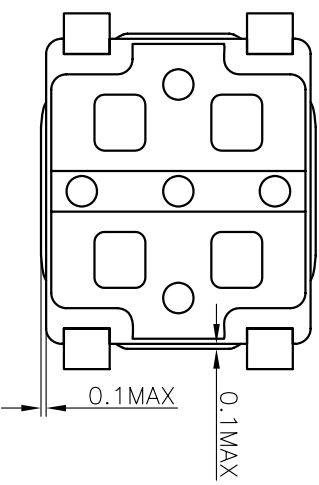
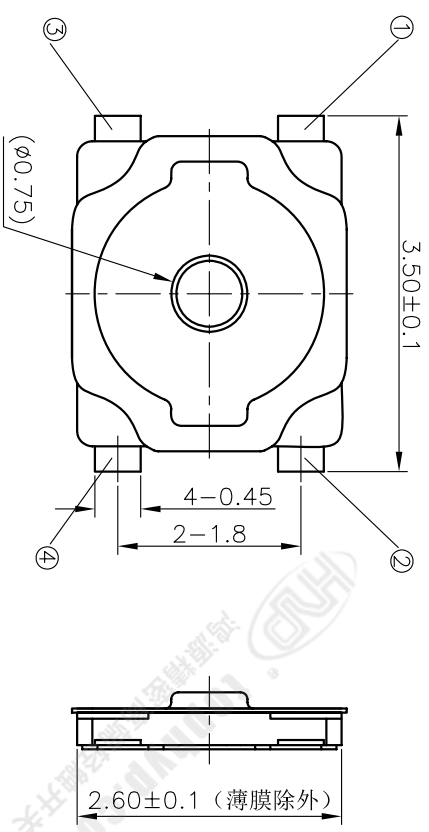


REV	ECN NO.	APPD
A	HC180067	ZO

规格 Specifications

额定负荷 Rating	DC 12V/50mA
接触电阻 Contact Resistance	500mΩ max.
绝缘电阻 Insulation resistance	DC 100V 60S 100MΩ min.
抗电强度 Dielectric strength	AC250V(50~60HZ) 60S min.
操作力 Operation force	≤180±30gf ≥240±50gf
寿命试验 Operating Life	300,000 cycles 100,000 cycles
行程 Travels	0.15±0.05mm



RECOMMENDED P.C.B. LAYOUT
安装尺寸图

LAND PATTERN PLAN
印刷电路板焊盘参考图

PRODUCT NO.: 1TS016A***-***-***

轻触开关

3X2.6系列

外形: A=四脚 B=四脚无按柄

触点颜色: 按点颜色: 底座颜色: 贴膜颜色:

操作力度: 160=160gf 180=180gf 240=240gf

手感: 0=常规(弹片) 1=大手感(弹片) 2=小手感(弹片) 3=特殊手感(弹片)

脚距: 0=常规脚距3.5mm 1=特殊脚距3.2mm 依次增加

其它: CT=编带(非编带,不启用)

ITEM	PART NAME	QUANTITY	MATERIAL	FINISH
5	KNOB	1	POLYAMIDE	BLACK
4	FILM	1	POLYAMIDE	WHITE
3	DOME	2	STAINLESS STEEL	Ag-PLATED
2	HOUSING	1	POLYAMIDE	BLACK
1	TERMINAL	1	PHOSPHOR BRONZE	Ag-PLATED

THESE DRAWINGS AND SPECIFICATIONS ARE THE PROPERTY OF HON YUAN PRECISION IND. CO., LTD. AND SHALL NOT BE REPRODUCED, COPIED OR USED IN ANY MANNER WITHOUT THE PRIOR WRITTEN CONSENT OF HON YUAN PRECISION IND. CO., LTD.

APPD: ZO 6/02/2018

CHKD: M.H.L: 6/02/2018

DR: WP.Lu 6/02/2018

DWG NO.: 1TS016A

SCALE SHEET REV. 25/1 1/1 A