



CG3 Series Gas Plasma Arrester

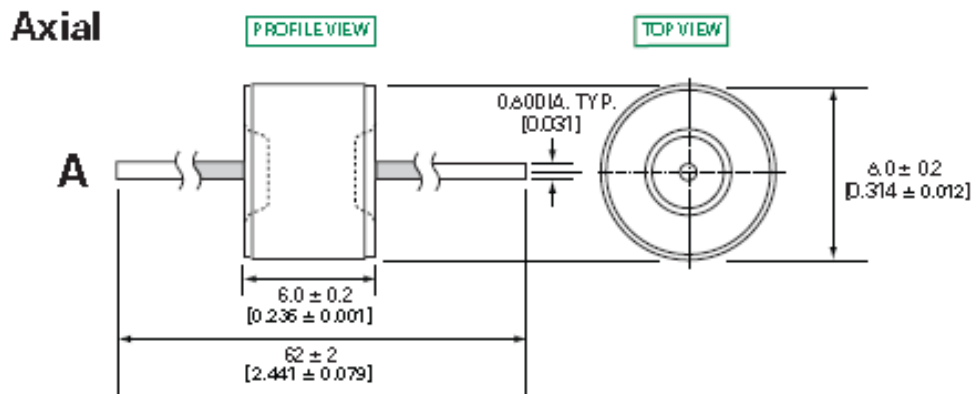


Part number: CG3-2.5L-10TR

Electrical Characteristics

Items	Range	Unit
DC spark over voltage	2300~3000	V
Max impulse spark over voltage @100V/us	3200	V
Max impulse spark over voltage @1kV/us	3500	V
Service life: 10 operations @8/20us	5	KA
Service life: 1 operation @8/20us	10	KA
Max follow-on current	200	A
Insulation Resistance @100Vdc	>1	GΩ
Capacitance @ 1MHz, 0 Volts bias	<1.5	Pf
Arc voltage @ 1A	~15	V
Glow to arc transition current	~1	A
Glow voltage	~140	V
Operation and storage temperature	-40~+90	°C

Device Dimensions



Packing information

The device is packed in tape and reel with 1000pcs/reel.

Note: 1. For any other information, please refer to web datasheet for CG32.5.