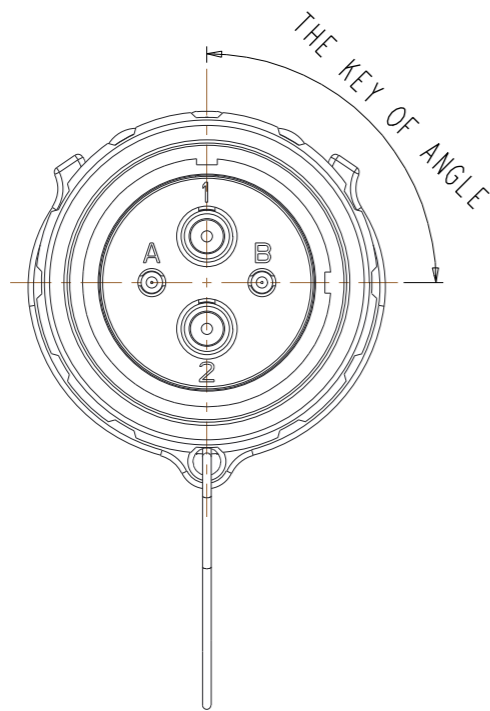
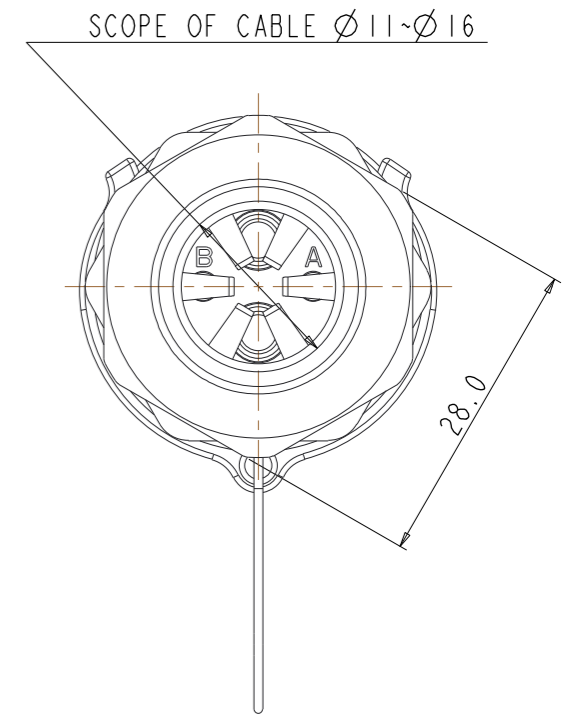
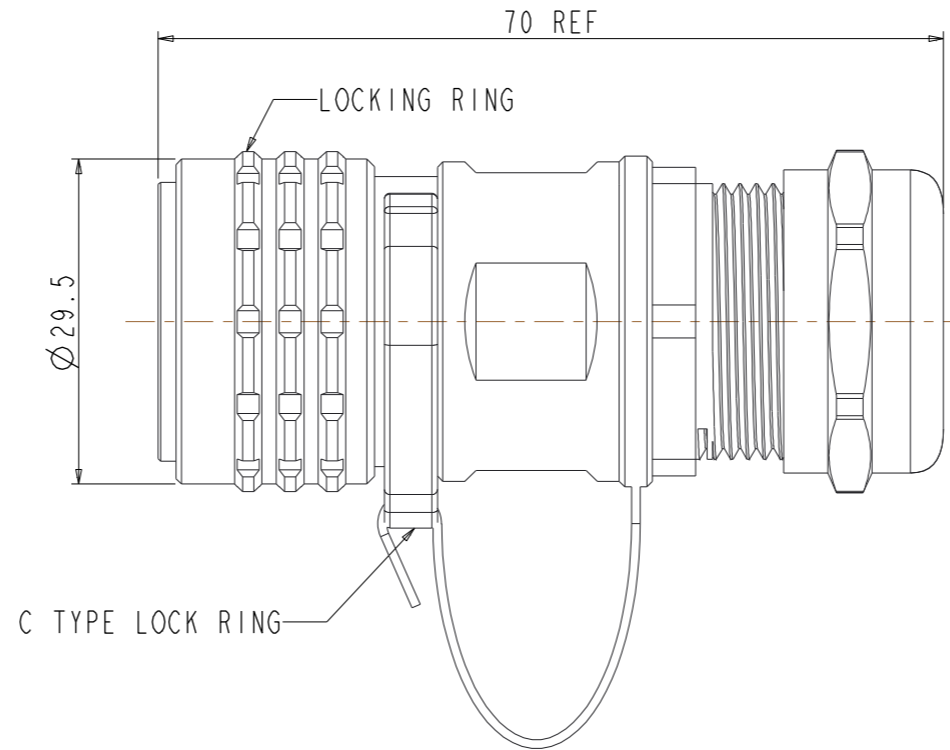


CUSTOMER DRAWING

REV	ECN	DESCRIPTION	DATE	MODIFIED
G		UPDATE P/N DESCRIPTION	2016.12.15	ROY.QU



1,2=3.0MM PIN CONTACT
A,B-1.0MM PIN CONTACT



NOTES:

- 1.FINISHED PRODUCT DOES HAVE NOT THE PIN,NEED TO BUY SEPARATE.
- 2.THE BIG PIN P/N FOR 4MM² CABLE:HVG30M4,USE LEVEL:2PCS
THE BIG PIN P/N FOR 2.5MM² CABLE:HVG30M2,USE LEVEL:2PCS
- 3.THE SMALL PIN P/N:HVG20MI,USE LEVEL:2PCS
- 4.WIHT C TYPE LOCK RING AND CAP.
- 5.TORQUE:10N*M
- 6.THE SCOPE OF CABLE Ø11~Ø16
- 7.IF THE P/N WITHOUT ANGLE CODE,PLEASE DON'T CHOOSE YELLOW LOCKING RING.
OTHER ANGLE AND COLOR CAN BE MATCHED IN ANY COMBINATION

ANGLE CODE	ANGLE OF KEY	COLOR CODE	COLOR OF LOCKING RING	P/N(FOR EXAMPLE)
WITHOUT	0°	WITHOUT	BLACK	HVGIP402MC
X	270°	R	RED	HVGIP402MCXR
Y	315°	Y	YELLOW	HVGIP402MCYY
Z	90°	B	BLUE	HVGIP402MCZB
W	45°	G	GREEN	HVGIP402MCWG

TECHNICAL DATA :	
CURRENT RATE 2.5MM ² WIRE	23A
CURRENT RATE 4MM ² WIRE	32A
UL RATING VOLTAGE	400VAC,690VDC
POLLUTION DEGREE 2	
OPERATING TEMPERATURE	-40-125°C
DIELECTRIC WITHSTANDING VOLTAGE	3000V
INSULATION RESISTANCE	2000MEGOHMS MIN. (25°C)
DURABILITY	500 CYCLES
SHIELDING	YES
WATERPROOF (mated condition)	IP67
AMBIENT TEMPERATURE	-40~70°

DIMENSIONS	TOLERANCES	PROJECTION	TITLE		
ANSI Y14.5M UNITS: MM Pro/E FILE	X ±0.3 .XX ±0.20 ANGLES ±0.5°		Amphenol Pcd Shenzhen		
ORIGINAL NOT FOR CUSTOMER DISTRIBUTION	THIS DOCUMENT CONTAINS PROPRIETARY INFORMATION WHICH IS THE CONFIDENTIAL PROPERTY OF AMPHENOL PCD SHENZHEN		ENGR	ROY.QU	2016.12.15
			CHKD		
			APPD		
			SIZE	DWG NO.	REV
			A3	HVGIP-402MCX-XX	G
			CODE: 58982	SCALE: 3:2	SHEET 1 OF 1

HVGIP-402MCX-XX

HVGIP-402MCX-XX