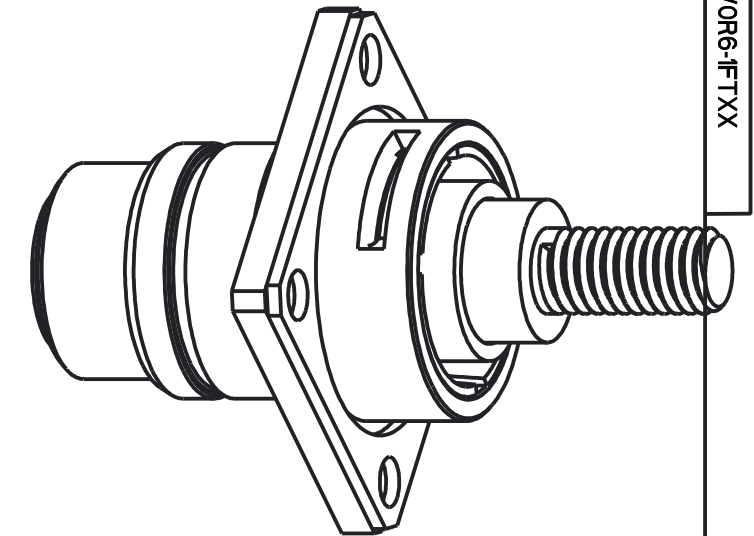
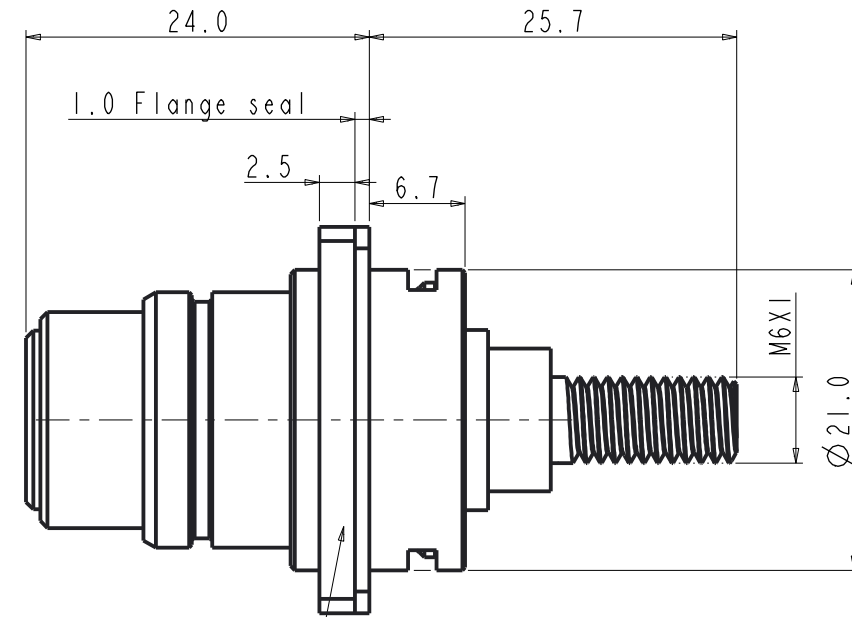
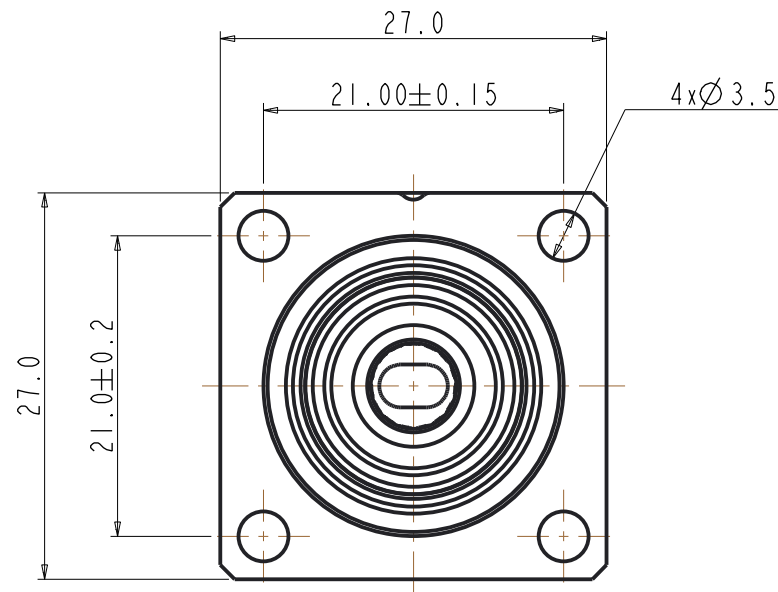


REV	ECN	DESCRIPTION	DATE	MODIFIED
A		FIRST RELEASE	2012.06.01	G.TANG

CUSTOMER DRAWING



FLANGE SURFACE CAN BE MADE DIFFERENT COLOR

NOTE:
 About the ** stand for in part number HVOR6-IFT**
 -The first * stand for key angle(see table 1)
 -Another * represent color of flange surface(see table 2)

Table 1

P/N	KEY ANGLE
X	90°
Y	180°
Z	135°
W	120°
U	155°
N	NO KEY

Table 2

CODE	COLOR
BK	BLACK
RD	RED
Y	YELLOW
G	GREEN
BL	BLUE
(DEFAULT)	NICKEL

TECHNICAL DATA :	
CURRENT RATE (25MM ² CABLE)	120A
UL RATING VOLTAGE	230VAC, 400VDC
OPERATING TEMPERATURE	-40~125°C
DIELECTRIC WITHSTANDING VOLTAGE	2500V AC
INSULATION RESISTANCE	2000MEGOHMS MIN. (25°C)
DURABILITY	500 CYCLES
SHIELDING	---
WATERPROOF (mated condition)	IP 67
AMBIENT TEMPERATURE	-40~70°C

DIMENSIONS ANSI Y14.5M UNITS: MM Pro/E FILE	TOLERANCES .X ±0.2 .XX ±0.10 ANGLES ±0.5°	PROJECTION 	Amphenol Pcd Shenzhen			RECEPTACLE CONNECTOR		
			ENGR S.YAO 2009.12.15			TITLE	SIZE A3	DWG NO. HVOR6-IFTXX
ORIGINAL NOT FOR CUSTOMER DISTRIBUTION	THIS DOCUMENT CONTAINS PROPRIETARY INFORMATION WHICH IS THE CONFIDENTIAL PROPERTY OF AMPHENOL PCD SHENZHEN			CHKD	APPD	CODE: 58982	SCALE: 2:1	SHEET 1 OF 1

HVOR6-IFTXX

HVOR6-IFTXX