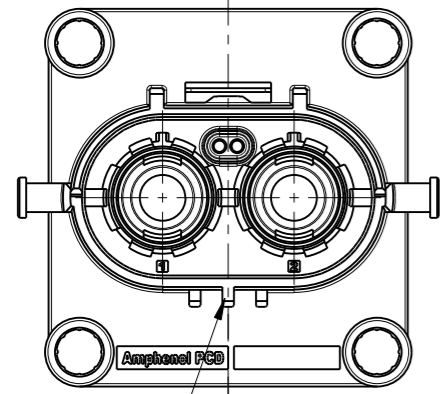


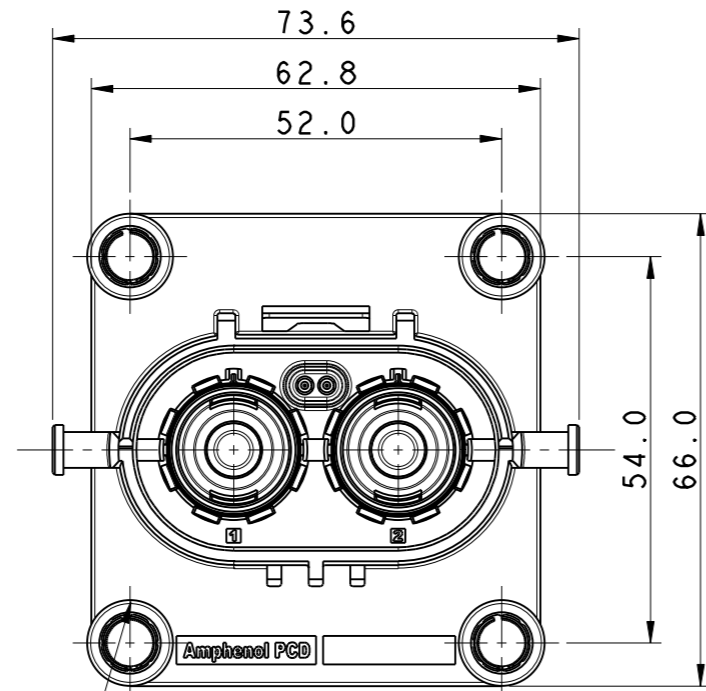
CUSTOMER DRAWING

REV	ECN	DESCRIPTION	DATE	MODIFIED
1		PRE-RELEASE	25/04/16	Robin Yuan
2			29/07/16	Robin Yuan

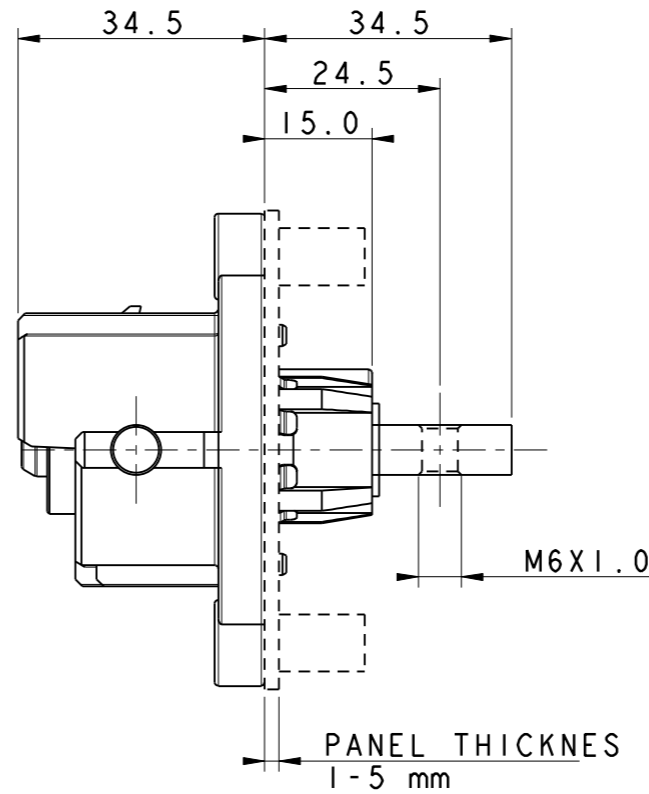


KEY 0

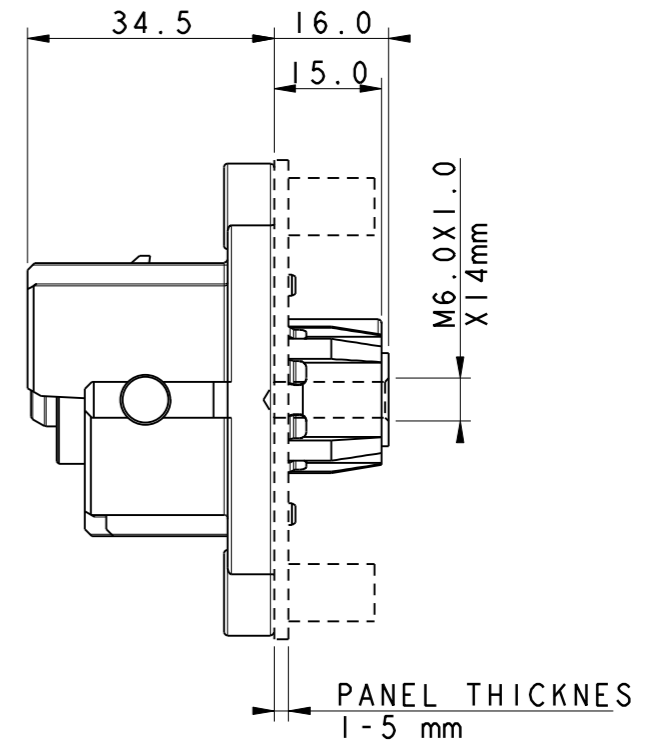
HVSL800022AXXX
CODING A



M6 SCREW AND WASHER APPLICABLE



POWER CONTACT
HOLE TERMINATION



POWER CONTACT
SCREW TERMINATION-INTERNAL

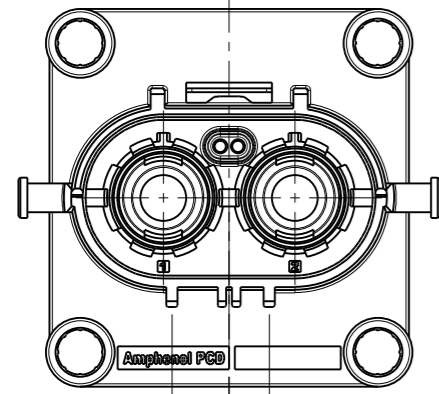
NOTES:

- MATERIAL & FINISH:
PLASTIC BODY: THERMOPLASTICS UL 94V-0 ORANGE COLOR
POWER CONTACT: COPPER ALLOY SILVER PLATED
- ELECTRONICAL CHARACTERISTICS:
HIGH VOLTAGE RATED 1000 V DC MAX.
CURRENT RATED 180 A MAX.
WITHSTANDING VOLTAGE 3000 V AC
PRODUCTS ARE COMPLIANCE WITH EN 60664-1 POLLUTION II
- ENVIROMENT CHARACTERISTICS:
IP67 IP6K9K RATED (WHEN MATING)
IP2XB RATED FOR FINGER TOUCH-PROOF

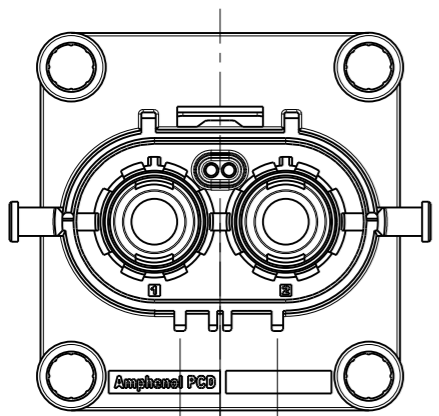
HOW TO ORDER

HVSL 800 02 2X X XX

- A: CODING A 0: WITHOUT HVIL H6: HOLE TERMINATION (M6 THREAD)
- B: CODING B 1: WITH HVIL D6: SCREW TERMINATION-INTERNAL (M6 THREAD)
- C: CODING C



HVSL800022BXXX
CODING B



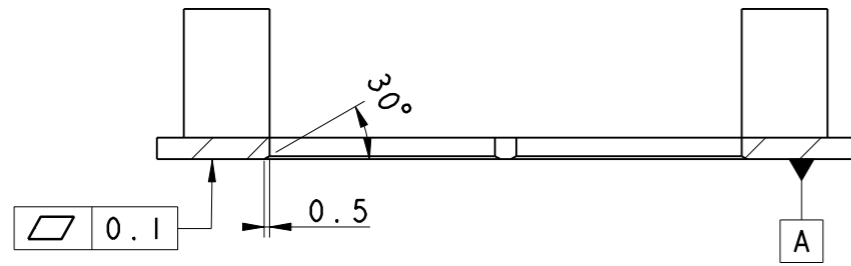
HVSL800022CXXX
CODING C

C-HVSL800022XXXX

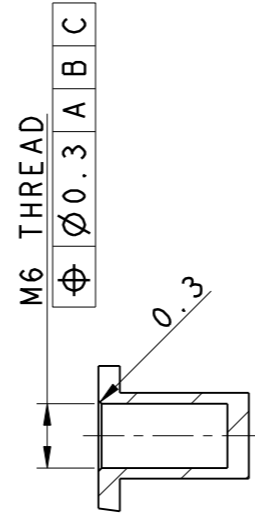
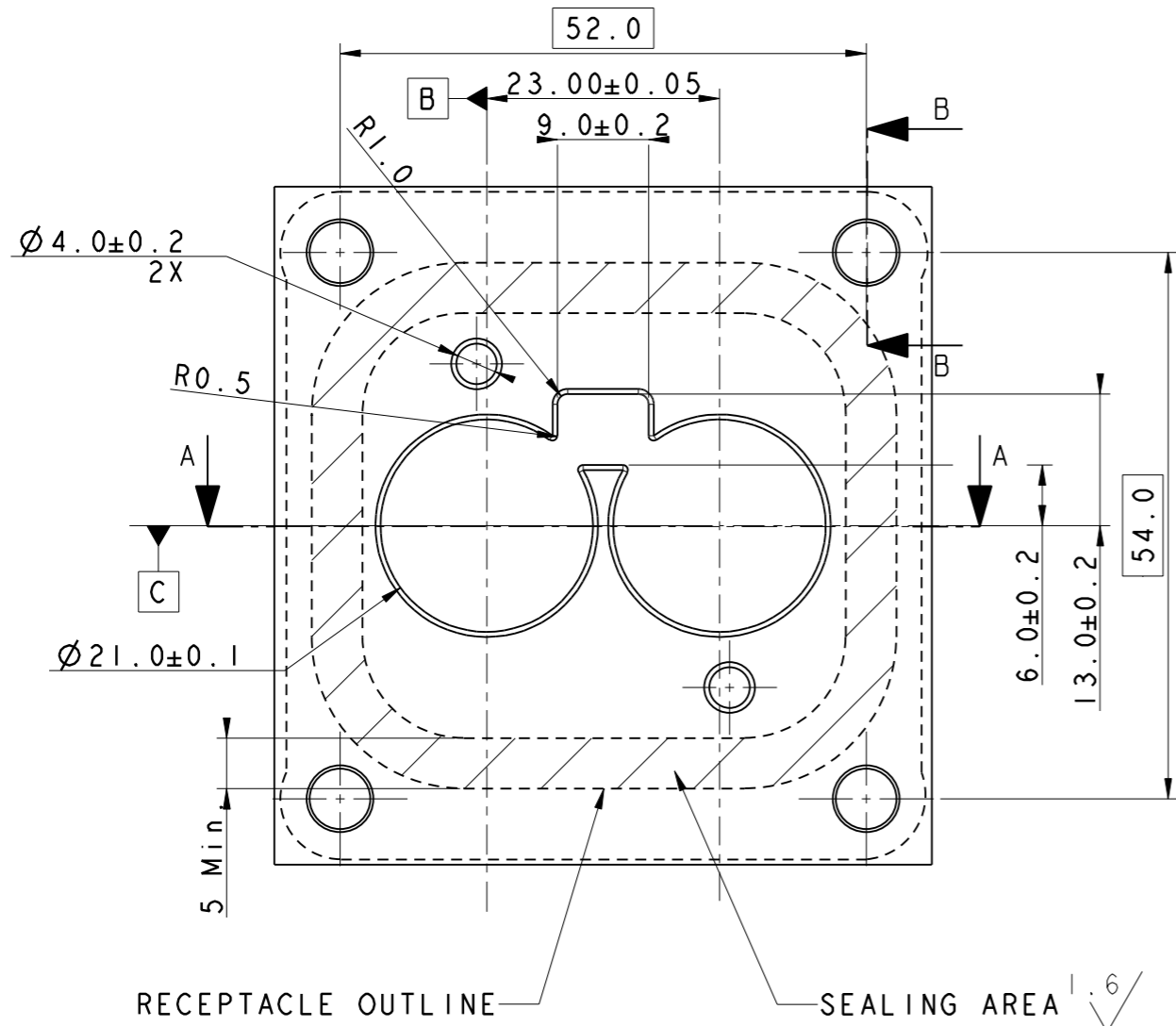
C-HVSL800022XXXX

DIMENSIONS	TOLERANCES	PROJECTION	TITLE						
ANSI Y14.5M UNITS: MM Pro/E FILE	.X ±0.3 .XX ±0.10 ANGLES ±0.5°		Amphenol Pcd Shenzhen						
			ENGR	Robn Yuan	25/04/16	HVSL 800 02 2 X X XX RECEPTACLE ASSEMBLY			
ORIGINAL NOT FOR CUSTOMER DISTRIBUTION	THIS DOCUMENT CONTAINS PROPRIETARY INFORMATION WHICH IS THE CONFIDENTIAL PROPERTY OF AMPHENOL PCD SHENZHEN		CHKD				SIZE A3	DWG NO. C-HVSL800022XXXX	REV 2
			APPD				CODE: 58982	SCALE: 1:1	SHEET 1 OF 2

PANEL DRILLING

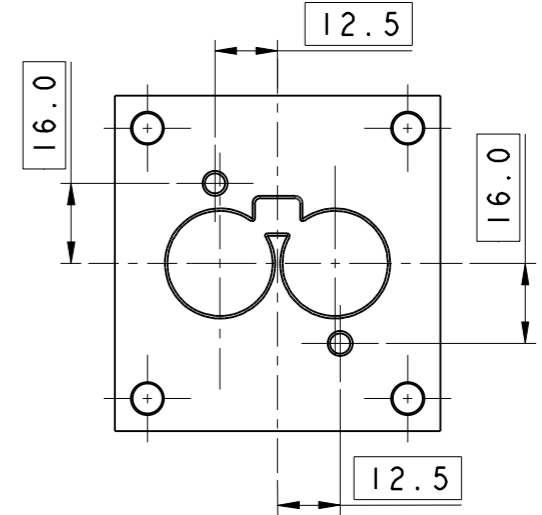


SECTION A-A

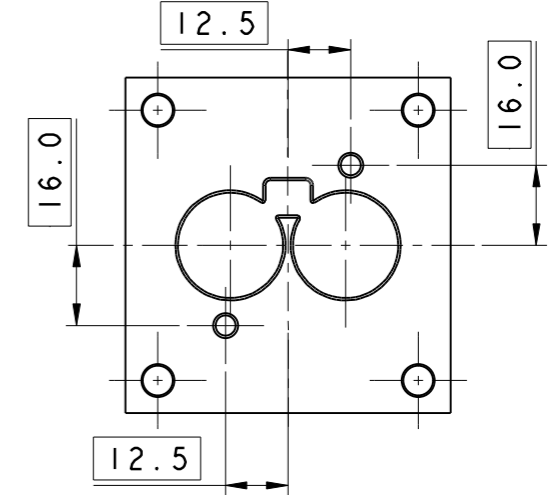


SECTION B-B

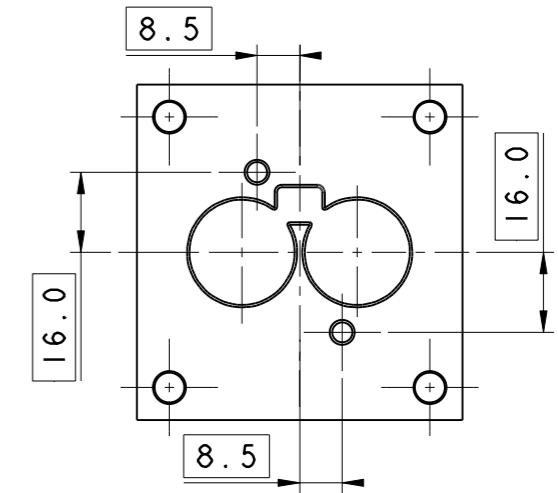
CODING A



CODING B



CODING C



C-HVSL800022XXXX

C-HVSL800022XXXX

SIZE	DWG NO.	REV
A3	C-HVSL800022XXXX	2
CODE: 58982	SCALE: 1:1	SHEET 2 OF 2