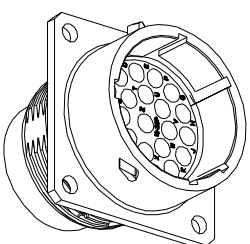
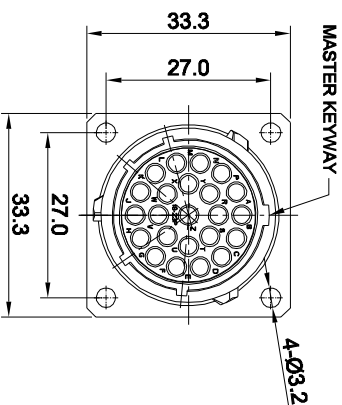
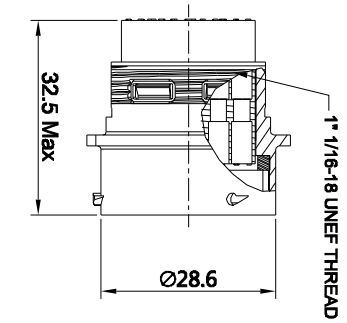
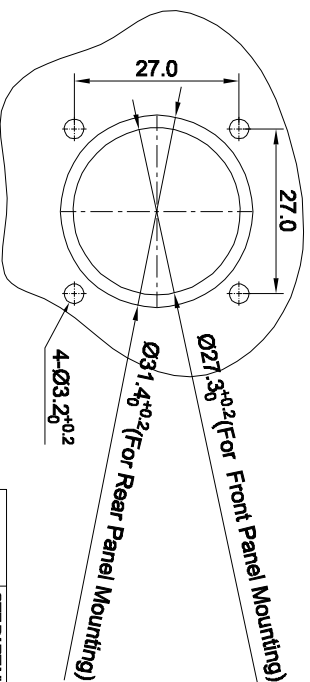


REVISIONS				
REV	ECO	DESCRIPTION	DATE	BY APPR
B1	-	RELEASED DRAWING	JUN-23-2014	BEN TOMMY



- NOTES : (UNLESS OTHERWISE SPECIFIED)
- MATERIAL :  
SHELL : ZINC ALLOY , NICKEL PLATED.  
INSERT : THERMOPLASTIC , UL94 V-0.  
SEAL GASKET : NBR/SILICONE RUBBER.
  - SPECIFICATIONS :  
2.1 RATED CURRENT : 13A (MAX).  
2.2 RATED VOLTAGE : 300V (AC/DC).  
2.3 OPERATING TEMPERATURE : SEE CHART.  
2.4 DIELECTRIC WITHSTANDING VOLTAGE : LESS THAN 2 MILLIAMPS CURRENT LEAKAGE@2000 VOLTS AC.  
2.5 INSULATION RESISTANCE : 5000 MEGOHMS MIN.  
2.6 IP--CLASS : IP67.  
2.7 MATTING CYCLES DURABILITY : 500 CYCLES MIN.  
2.8 ROHS COMPLIANT.
  - SUITABLE CONTACTS : 16# CONTACTS.
  - ALL DIMENSIONS ARE FOR REFERENCE USE ONLY.



PANEL CUT OUT REFERENCE

KEY POS	PART NUMBER	
	-40°C ~ -105°C	-40°C ~ 125°C
N	RT001823PN	RT001823PN03
W	RT001823PW	RT001823PW03
X	RT001823PX	RT001823PX03
Y	RT001823PY	RT001823PY03
Z	RT001823PZ	RT001823PZ03

QUANTITY	SEE PART NUMBER CHART	PART NUMBER	DESCRIPTION	ITER
			<b>MATERIALS LIST</b>	

UNLESS OTHERWISE SPECIFIED		SIGNATURES		DATE	
1) All dimensions are in millimeters.	2) Tolerances are as follows:	DRAWN:	BEL	JUN-23-14	
1 Pk. DEC 50-08	1 Pk. DEC 50-08	DESIGNED:			
3 Pk. DEC 50-08	3 Pk. DEC 50-08	ENGINEER:			
3) Note reference =		APPROVAL:			
MATERIAL SPECIFICATIONS:		CUSTOMER:		ECO-MATE RECEPTACLE, SIZE 18,23POS, PIN.	

PROCESS SPECIFICATIONS:		THIS DRAWING IS SUPPLIED FOR		SIZE	TYPE	DWG NO.	REVISION
NEXT ASST.		SPECIFICATIONS AND PERFORMANCE DATA	THE MANUFACTURER'S PROPERTY. IT IS TO BE USED FOR THE MANUFACTURE OF REPRODUCTION AND ALL RIGHTS OF REPRODUCTION ARE RESERVED. ALL MANUFACTURING VARIATION	B	C-	RT001823P**	B1
				SCALE	NONE		SHEET 1 OF 1

**Amphenol**  
Sine Systems - www.amphenol-sine.com  
44724 Morley Drive  
Clinton Township, MI 48038