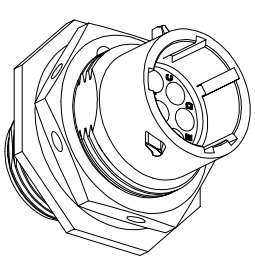
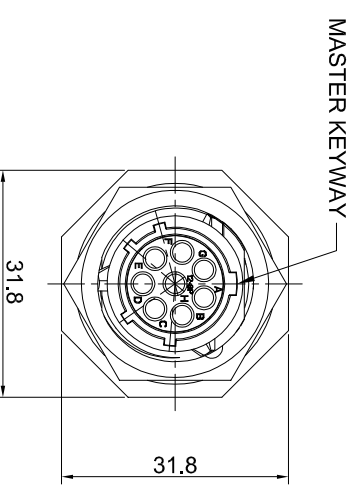
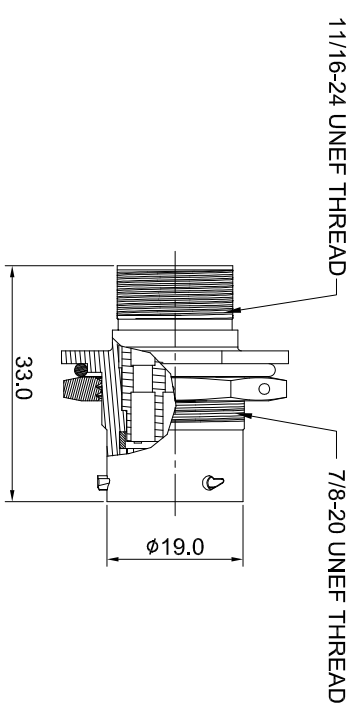
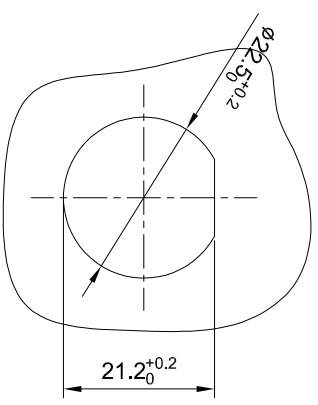


REVISIONS				
REV	ECO	DESCRIPTION	DATE	BY APPR
B1	-	RELEASED DRAWING	JULY-24-2014	BEN TOMMY
B2	-	MODIFY DIMENSION	Nov-10-2016	Ben Tommy



NOTES : (UNLESS OTHERWISE SPECIFICATION)

- MATERIAL :
SHELL : ZINC ALLOY , NICKEL PLATED.
INSERT : THERMOPLASTIC , UI94 V-0.
O-RING : NBR/SILICONE RUBBER.
SEAL GASKET : NBR/SILICONE RUBBER.
NUTS : AL ALLOY , NICKEL PLATED.
- SPECIFICATIONS :
2.1 RATED CURRENT : 13A (MAX).
2.2 RATED VOLTAGE : 300V(AC/DC).
2.3 OPERATING TEMPERATURE : SEE CHART.
2.4 DIELECTRIC WITHSTANDING VOLTAGE : LESS THAN 2 MILLAMPS CURRENT LEAKAGE@2000 VOLTS AC.
2.5 INSULATION RESISTANCE : 5000 MEGOHMS MIN.
2.6 IP--CLASS : IP67.
2.7 MATING CYCLES DURABILITY : 500 CYCLES MIN.
2.8 ROHS COMPLIANT.
- SUITABLE CONTACTS : 16# CONTACTS.
- ALL DIMENSIONS ARE FOR REFERENCE USE ONLY.



PANEL CUT OUT REFERENCE

KEY POS	PART NUMBER	
	-40°C ~ 105°C	-40°C ~ 125°C
N	RT07128PN	RT07128PN03
W	RT07128PW	RT07128PW03
X	RT07128PX	RT07128PX03
Y	RT07128PY	RT07128PY03
Z	RT07128PZ	RT07128PZ03

QUANTITY	SEE PART NUMBER CHART	PART NUMBER	DESCRIPTION	ITEM

MATERIALS LIST

SIGNATURES	DATE	DESCRIPTION
DRAWN: Ben	Nov-10-2016	<p>Amphenol</p> <p>Site Systems - www.amphenol-site.com 44724 Moley Drive Clinton Township, MI 48036</p>
CHECKED:		
ENGINEER:		
APPROVAL:		ECO-MATE, RECEPTACLE, JAM NUT, SIZE 12.8POS, PIN.

UNLESS OTHERWISE SPECIFIED 1) All dimensions are in millimeters. 2) Tolerances are as follows: 1 Pl. DEC ±0.30 Fractions ±1/64 2 Pl. DEC ±0.15 Angles ±1° 3) Note reference = X	PROCESS SPECIFICATIONS: NEXT ASSY:	THIS DRAWING IS SUPPLIED FOR INFORMATION ONLY. DESIGN FEATURES, DIMENSIONS AND TOLERANCES SHOWN HEREON ARE THE PROPERTY OF AMPHENOL. THE APPLICABLE DIMENSIONS AND TOLERANCES ARE SUBJECT TO NORMAL MANUFACTURING VARIATIONS.	SCALE: NONE	SHEET 1 OF 1
--	---------------------------------------	---	-------------	--------------