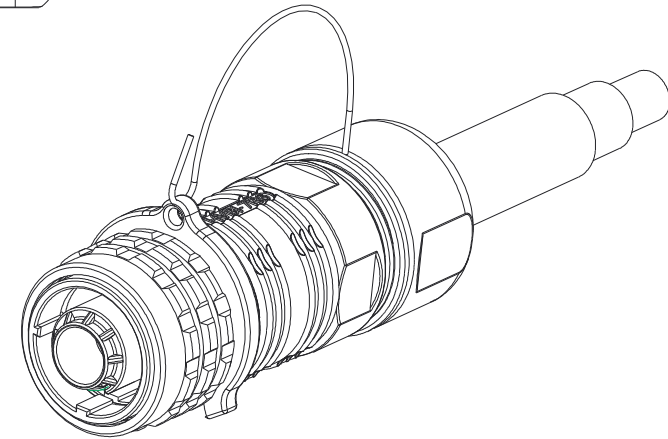
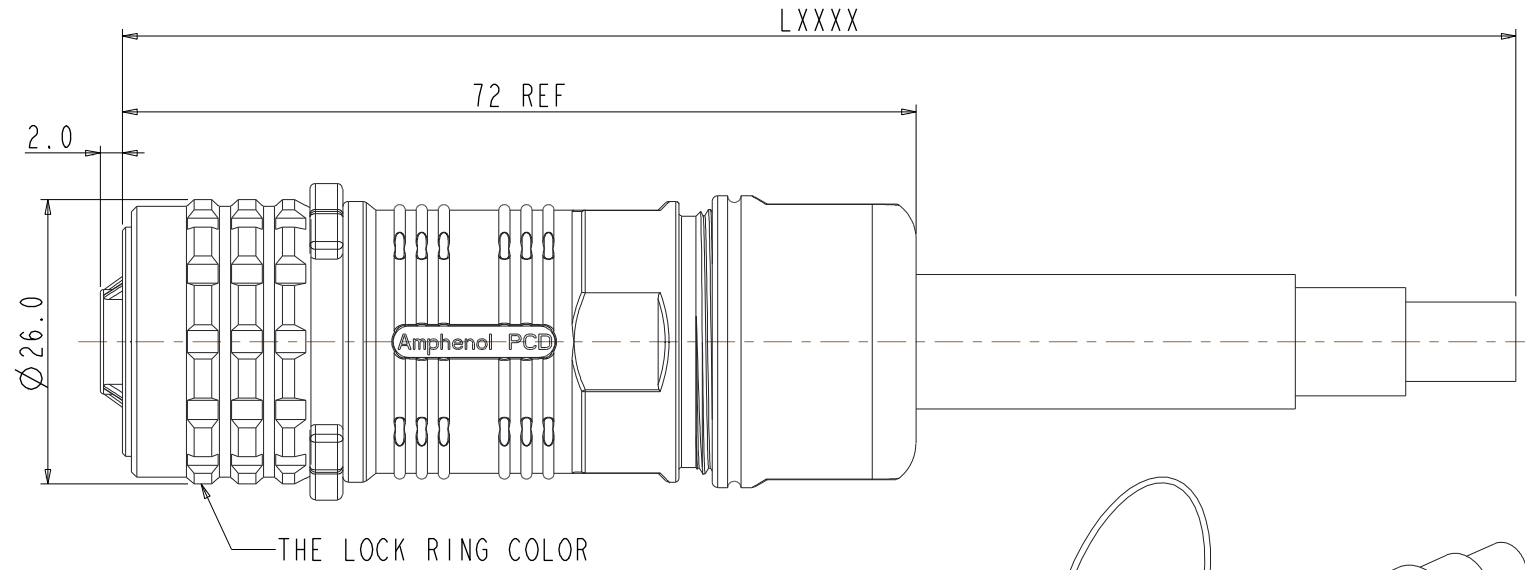
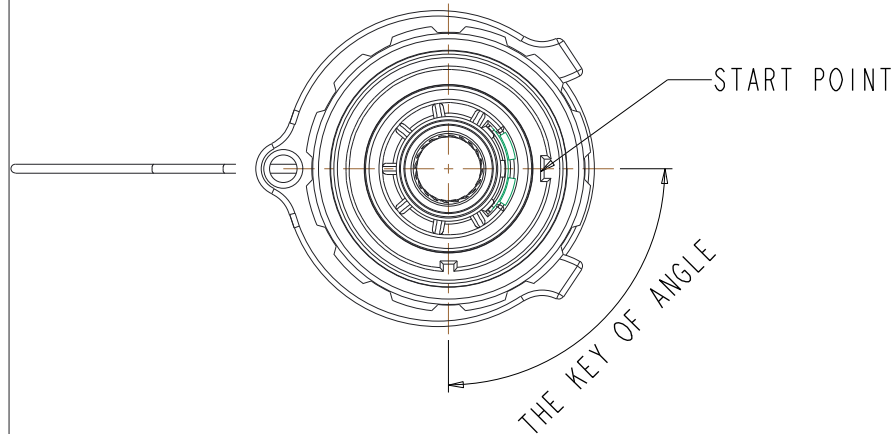
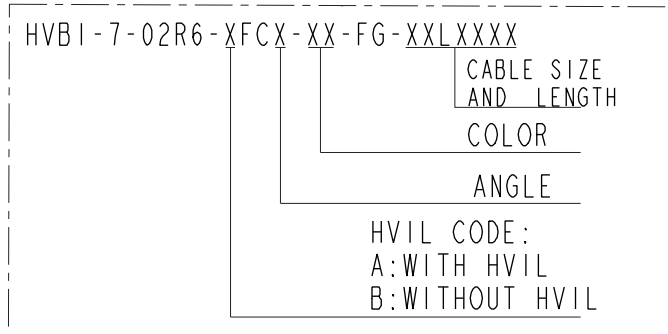


REV	ECN	DESCRIPTION	DATE	MODIFIED
D		UPDATE	2016.06.07	ROY.QU

# CUSTOMER DRAWING



SCOPE OF CABLE OUTSIDE DIAMETER	
SIZE	OUTSIDE DIAMETER
25MM <sup>2</sup> WITH SHIELD	11.5~13.0 MM
20MM <sup>2</sup> WITH SHIELD	11.0~12.0 MM
16MM <sup>2</sup> WITH SHIELD	10.9~12.0 MM



HVBI-7-02R6-XFCX-XX-FGXLLXXXX

HVBI-7-02R6-XFCX-XX-FGXLLXXXX

TECHNICAL DATA	
CURRENT RATE(25MM <sup>2</sup> CABLE)	UP TO 120A
CURRENT RATE(20MM <sup>2</sup> CABLE)	UP TO 100A
CURRENT RATE(16MM <sup>2</sup> CABLE)	UP TO 80A
UL RATING VOLTAGE (OVERVOLTAGE CATEGORY II POLLUTION DEGREE 2)	1000V DC
OPERATING TEMPERATURE	-40~125°C
DIELECTRIC WITH STANDING VOLTAGE	3000V AC
INSULATION RESISTANCE	2000MΩ MIN. 25°C, NO CABLE
DURABILITY	200 CYCLES
SHIELDING	YES
WATERPROOF(MATED CONDITION)	IP 67
PROTECTION LEVEL	IP2XB
AMBIENT TEMPERATURE	-40~70°C

WIHT HVIL		
P/N	DESCRIPTION	
	KEY OF ANGLE	LOCK RING COLOR
HVBI-702R6-AFCA-RD-FG-25L0000	30°	RED
HVBI-702R6-AFCB-BK-FG-25L0000	60°	BLACK
HVBI-702R6-AFCC-YL-FG-25L0000	90°	YELLOW
HVBI-702R6-AFCD-GR-FG-25L0000	120°	GREEN
HVBI-702R6-AFCE-BL-FG-25L0000	150°	BLUE
HVBI-702R6-AFCF-PU-FG-25L0000	180°	PURPLE

WIHTOUT HVIL		
P/N	DESCRIPTION	
	KEY OF ANGLE	LOCK RING COLOR
HVBI-702R6-BFCA-RD-FG-25L0000	30°	RED
HVBI-702R6-BFCB-BK-FG-25L0000	60°	BLACK
HVBI-702R6-BFCC-YL-FG-25L0000	90°	YELLOW
HVBI-702R6-BFCD-GR-FG-25L0000	120°	GREEN
HVBI-702R6-BFCE-BL-FG-25L0000	150°	BLUE
HVBI-702R6-BFCF-PU-FG-25L0000	180°	PURPLE

<b>DIMENSIONS</b> ANSI Y14.5M UNITS: MM Pro/E FILE	<b>TOLERANCES</b> X ±0.3 XX ±0.10 ANGLES ±0.5°	<b>PROJECTION</b> 	<b>Amphenol Pcd Shenzhen</b> ENGR ROY.QU 2016.06.07 CHKD APPD	<b>TITLE</b> <b>HVBI-7R6 PLUG</b>
<b>ORIGINAL</b> NOT FOR CUSTOMER DISTRIBUTION	THIS DOCUMENT CONTAINS PROPRIETARY INFORMATION WHICH IS THE CONFIDENTIAL PROPERTY OF AMPHENOL PCD SHENZHEN		SIZE <b>A3</b>	DWG NO. <b>HVBI-7-02R6-XFCX-XX-FGXLLXXXX</b>
			REV <b>D</b>	CODE: 58982
			SCALE: 2:1	SHEET 1 OF 1