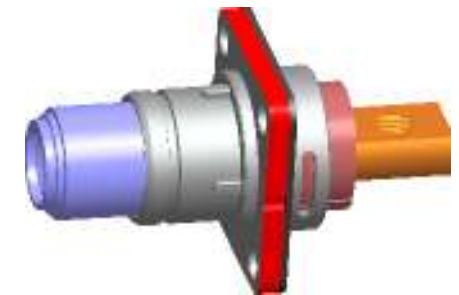
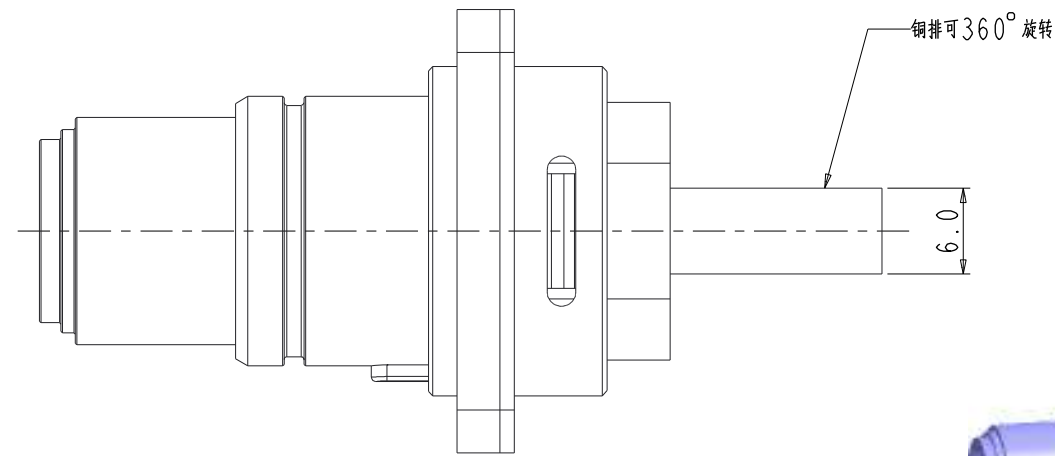
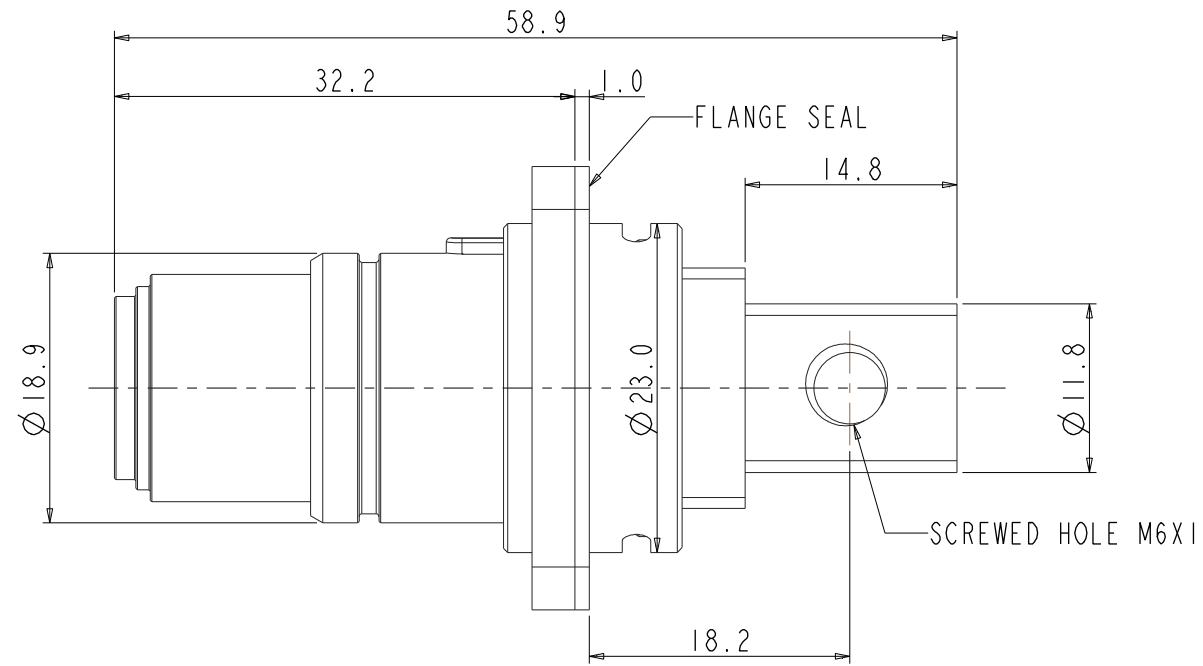
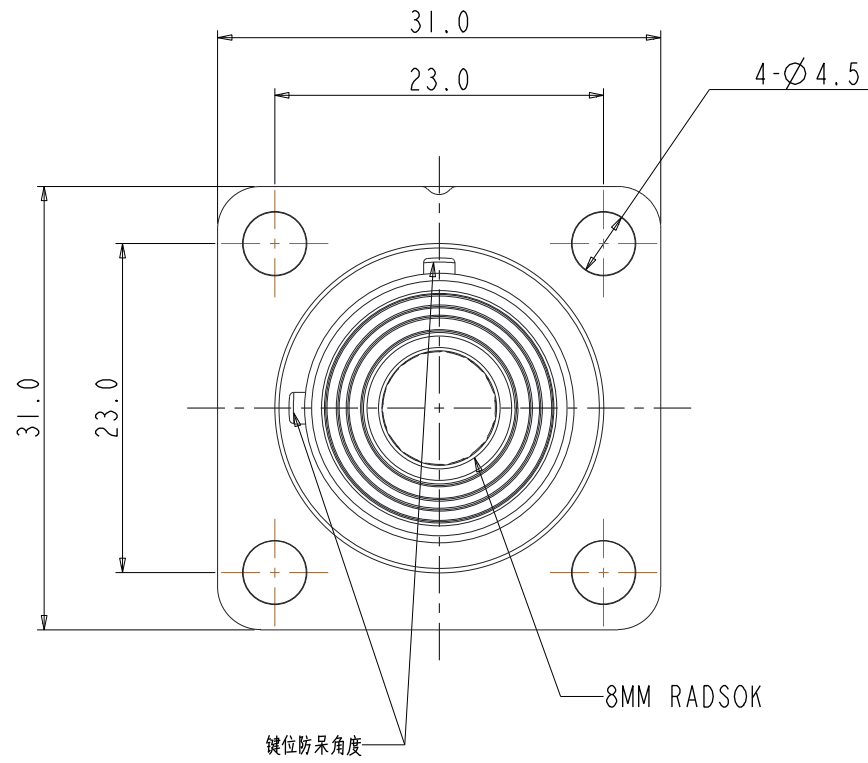


HVOR8-1FHX

| REV | ECN | DESCRIPTION | DATE | MODIFIED |
|-----|-----|-------------|------------|----------|
| B | | PRE-RELEASE | 2013.11.25 | SEVN |



| P/N | 对应防呆角度 |
|------------|--------|
| HVOR8-1FHX | 90° |
| HVOR8-1FHY | 180° |
| HVOR8-1FHZ | 135° |
| HVOR8-1FHW | 120° |
| HVOR8-1FHU | 155° |
| HVOR8-1FHN | NO |

| COLOR | |
|---------------|--------|
| P/N | COLOR |
| HVOR8-1FHX | NICKEL |
| HVOR8-1FHX-BK | BLACK |
| HVOR8-1FHX-RD | RED |
| HVOR8-1FHX-BL | BLUE |
| HVOR8-1FHX-G | GREEN |
| HVOR8-1FHX-Y | YELLOW |

| TECHNICAL DATA : | |
|-----------------------------------|--------------------------|
| CURRENT RATE (25MM ²) | 120A |
| OPERATING VOLTAGE | AC 230V,DC 400V |
| OPERATING TEMPERATURE | -40-125° C |
| DIELECTRIC WITHSTANDING VOLTAGE | 2500V AC |
| INSULATION RESISTANCE | 2000MEGOHMS MIN. (25° C) |
| DURABILITY | 500 CYCLES |
| SHIELDING | YES |
| WATERPROOF (mated condition) | IP 67 |
| AMBIENT TEMPERATURE | -40~70° C |

CUSTOMER DRAWING

| | | | | | | |
|---|---|-----------------------|--|-------------------|---|-----------------|
| DIMENSIONS ANSI Y14.5M UNITS: MM Pro/E FILE | TOLERANCES .X ±0.2 .XX ±0.10 ANGLES ±0.5° | PROJECTION | TITLE Amphenol Pcd Shenzhen | | RECEPTACLE ASSEMBLY 8MM RADSOK | |
| | | | ENGR G.TANG | 2012.06.01 | | |
| ORIGINAL NOT FOR CUSTOMER DISTRIBUTION | THIS DOCUMENT CONTAINS PROPRIETARY INFORMATION WHICH IS THE CONFIDENTIAL PROPERTY OF AMPHENOL PCD SHENZHEN | | CHKD | SIZE A3 | DWG NO. HVOR8-1FHX | REV B |
| | | | APPD | CODE: 58982 | SCALE: 2:1 | SHEET 1 OF 1 |

HVOR8-1FHX

HVOR8-1FHX