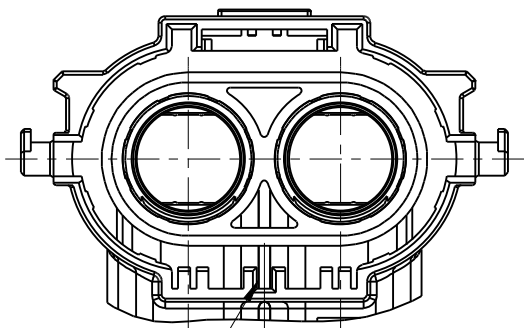
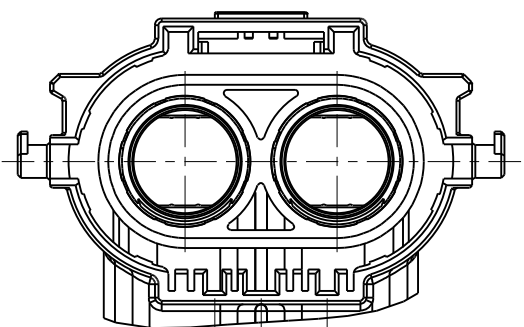


Amphenol PCDSZ
ORIGINAL
PDF Format
R&D

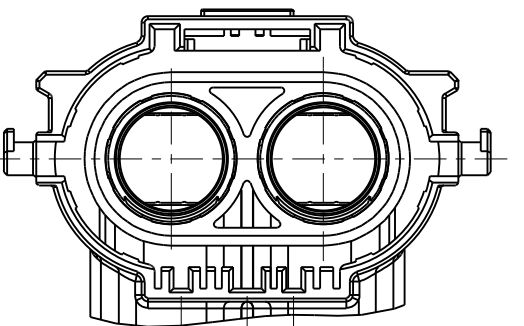
REV	ECN	DESCRIPTION	DATE	MODIFIED
1		PRE-RELEASE	25/04/16	Robin Yuan
2			29/06/16	RY
3			29/07/16	RY
4		ADD 25mm2 SPEC	06/28/17	Celine.xie
5		INCREASE THE EXPLOSION FIGURE	07/11/17	Celine.xie
6		CHANGE DIMENSIONING	02/27/18	Celine.xie



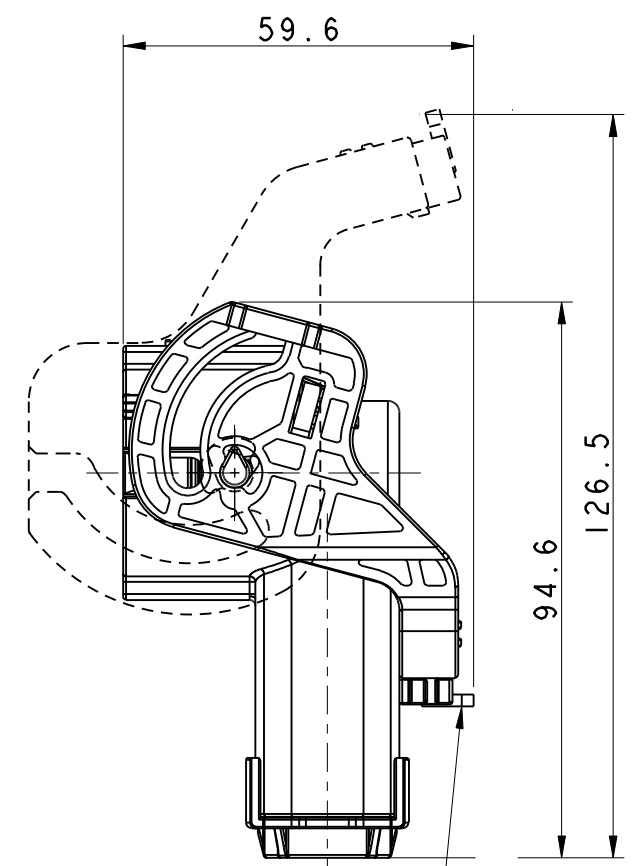
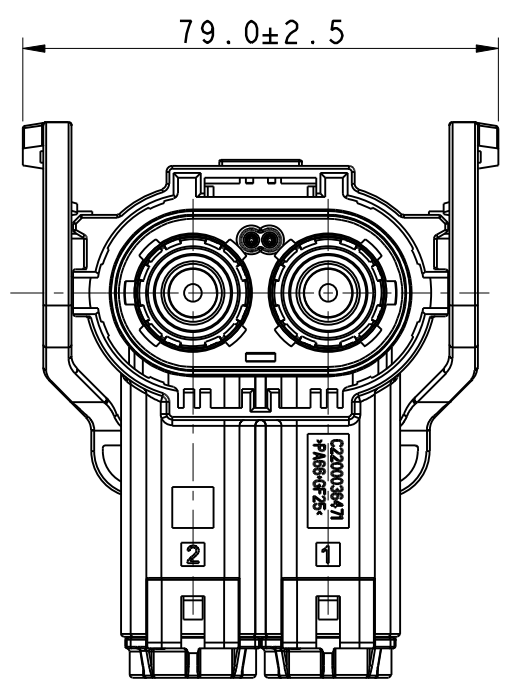
KEYWAY 0
HVSL800082AXXX
CODING A



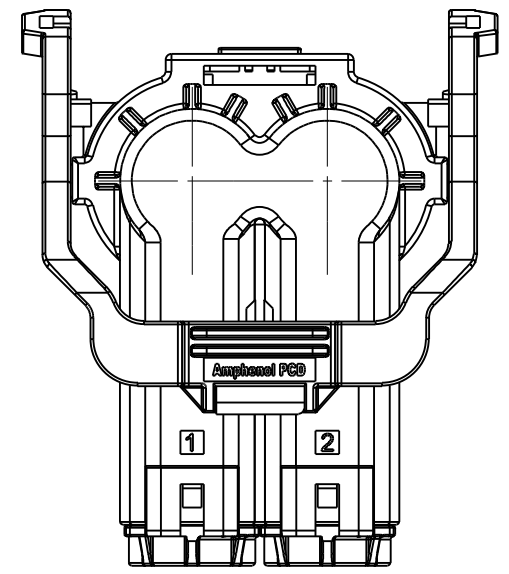
7 10
HVSL800082BXXX
CODING B



10 7
HVSL800082CXXX
CODING C



DELIVERY CONDITION:
CPA ON LOCKED POSITION



- NOTES:
- MATERIAL & FINISH:
PLASTIC BODY: THERMOPLASTICS UL 94V-0 ORANGE COLOR
POWER CONTACT: COPPER ALLOY SILVER PLATED
 - PART NUMBER DESCRIPTION:

HVSL 800 08 2 X X XX

A: CODING A 0: WITHOUT HVIL 30: CROSS-SECTION 50mm²
 B: CODING B 1: WITH HVIL WIRE OD=16.5 ± 0.3mm
 C: CODING C 35: CROSS-SECTION 35mm²
 WIRE OD=14.2 ± 0.4mm
 25: CROSS-SECTION 25mm²
 WIRE OD=11.9 ± 0.3mm

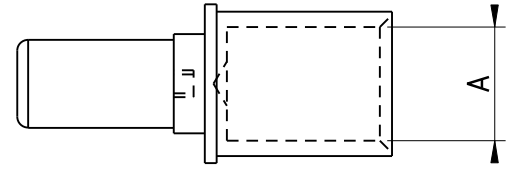
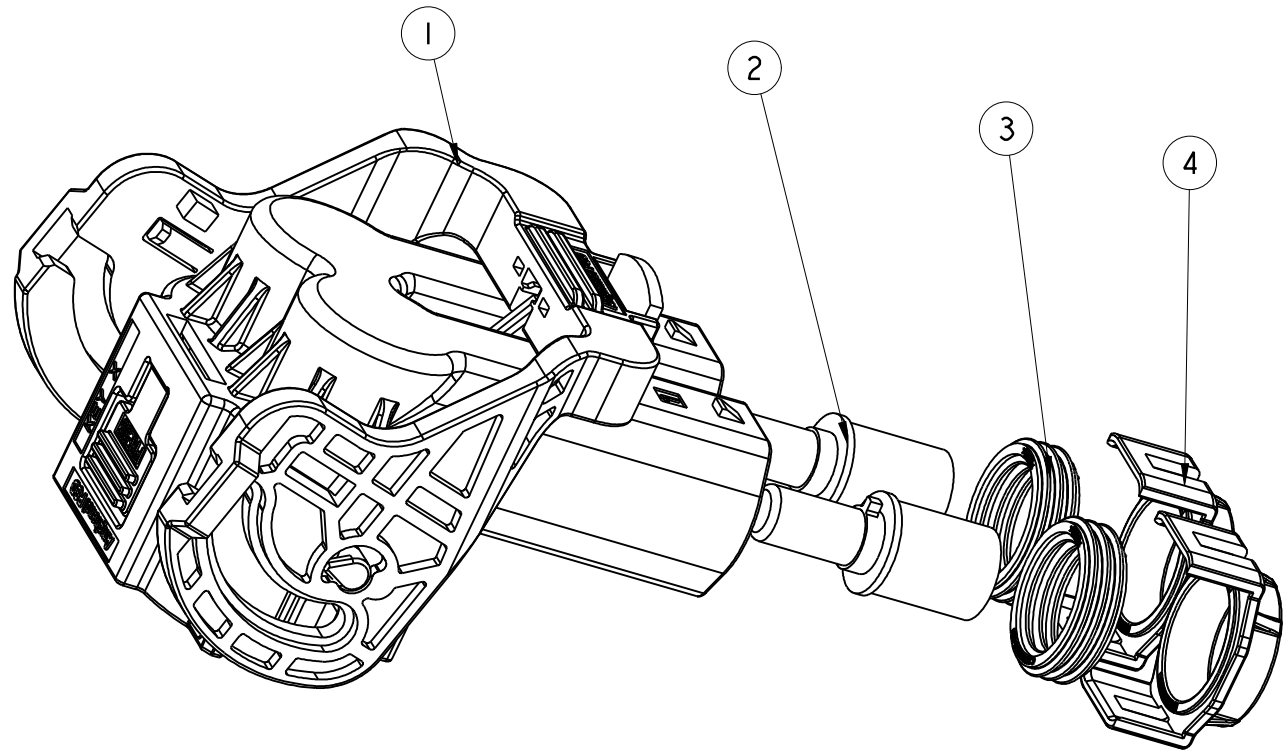
3. TECHNICAL DATA TABLE

TECHNICAL DATA		REMARK
CURRENT RATE (25~50MM ² SHIELD CABLE)	25mm ² : 120A 35mm ² : 150A 50mm ² : 180A	+
UL RATING VOLTAGE (OVERVOLTAGE CATEGORY II POLLUTION DEGREE 2)	1500V DC	+
OPERATING TEMPERATURE	-40~125°C	
DIELECTRIC WITH STANDING VOLTAGE	3000V AC	+
INSULATION RESISTANCE	2000MΩ MIN. 25°C, NO CABLE	+
DURABILITY	50 CYCLES	⊙
SHIELDING	YES	⊙
WATERPROOF(MATED CONDITION)	IP 67, IP6K9K	+
PROTECTION LEVEL	IP2XB	+
AMBIENT TEMPERATURE	-40~70°C	

DIMENSIONS	TOLERANCES	PROJECTION	TITLE		
ANSI Y14.5M UNITS: MM Pro/E FILE	X ±0.5 .XX ±0.05 ANGLES ±0.5°		Amphenol Pcd Shenzhen		
ORIGINAL NOT FOR CUSTOMER DISTRIBUTION	THIS DOCUMENT CONTAINS PROPRIETARY INFORMATION WHICH IS THE CONFIDENTIAL PROPERTY OF AMPHENOL PCD SHENZHEN		ENGR Robin Yuan	25/04/16	
			CHKD		
			APPD		
			SIZE A3	DWG NO. C-HVSL800082XXXX	REV 6
			CODE: 58982	SCALE: 1:2	SHEET 1 OF 2

C-HVSL800082XXXX

C-HVSL800082XXXX

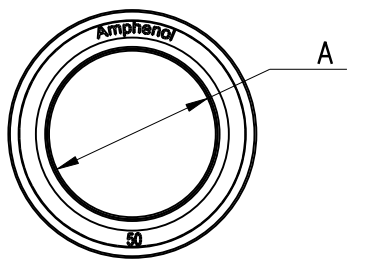


COMPONENT P/N	CABLE SIZE	A
C4200036541	50	Ø 10.30
C4200036542	35	Ø 8.5
C4200036543	25	Ø 7.2

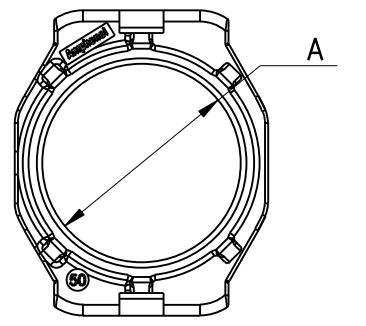
4. ASSEMBLY AND DETAIL BOM LIST SHOW

HVSL800082X1XX	4	C422003683X	END CAP	1
	3	C427003645X	SEAL	1
	2	C420003654X	SOCKET CONTACT BODY	1
	1	HVSL800082X1	BODY&HVIL	1

HVSL800082X0XX	4	C422003683X	END CAP	1
	3	C427003645X	SEAL	1
	2	C420003654X	SOCKET CONTACT BODY	1
	1	HVSL800082X0	BODY&NO HVIL	1
	ITEM	PART NO.	DESCRIPTION	Q'TY



COMPONENT P/N	CABLE SIZE	A
C4270036451	50	Ø 15.5
C4270036452	35	Ø 12.7
C4270036453	25	Ø 10.5



COMPONENT P/N	CABLE SIZE	A
C4220036831	50	Ø 18
C4220036832	35	Ø 15
C4220036833	25	Ø 13

C-HVSL800082XXXX

C-HVSL800082XXXX