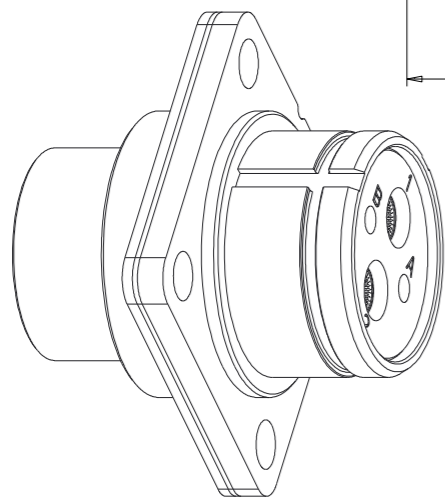
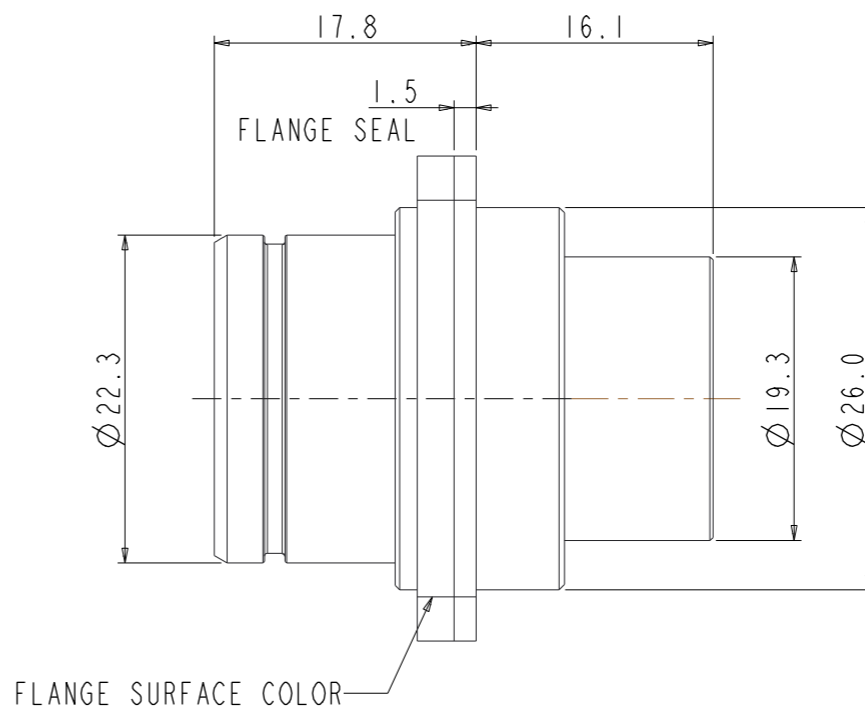
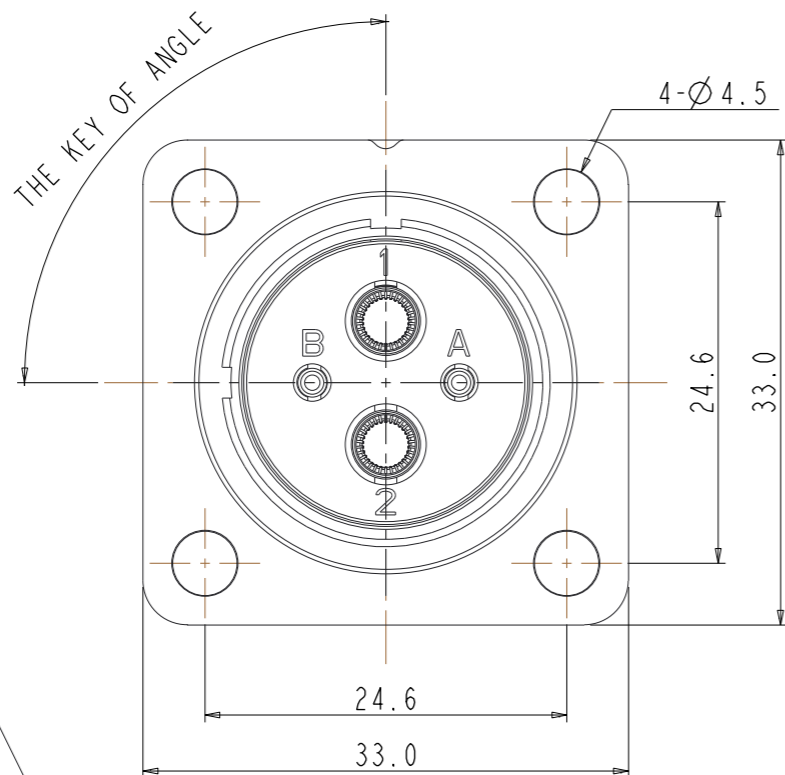


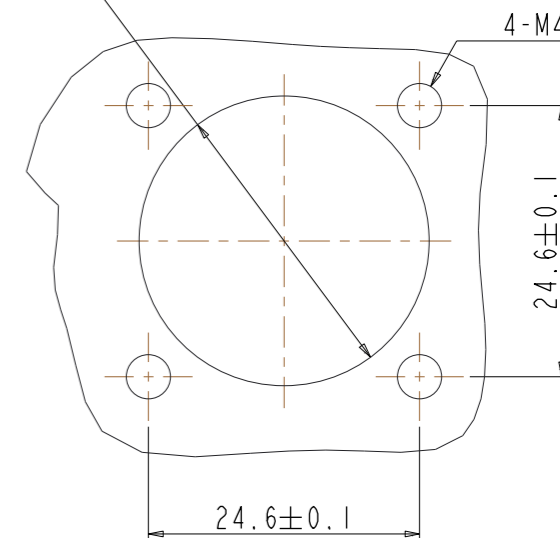
CUSTOMER DRAWING

| REV | ECN | DESCRIPTION | DATE | MODIFIED |
|-----|-----|------------------------|------------|----------|
| G | | UPDATE P/N DESCRIPTION | 2016.12.15 | ROY.QU |



1,2=3.0MM FEMALE CONTACT
A,B=1.0MM FEMALE CONTACT

Ø26.3±0.1
FOR PANEL MOUNTING



PANEL CUT OUT REFERENCE

NOTES:

1. FINISHED PRODUCT DOES HAVE NOT THE PIN, NEED TO BUY SEPARATE.
2. THE BIG PIN P/N FOR 4MM² CABLE: HVG30F4 OR HVG30FS4, USE LEVEL: 2PCS
THE BIG PIN P/N FOR 2.5MM² CABLE: HVG30F2 OR HVG30FS2, USE LEVEL: 2PCS
3. THE SMALL PIN P/N: HVG20F1, USE LEVEL: 2PCS
4. IF THE P/N WITHOUT ANGLE CODE, PLEASE DON'T CHOOSE YELLOW FLANGE SURFACE. OTHER ANGLE AND COLOR CAN BE MATCHED IN ANY COMBINATION

| ANGLE CODE | ANGLE OF KEY | COLOR CODE | FLANGE SURFACE COLOR | P/N(FOR EXAMPLE) |
|------------|--------------|------------|----------------------|------------------|
| WITHOUT | 0° | WITHOUT | COLOR ZINC | HVGIS402FC |
| X | 270° | RD | RED | HVGIS402FCXRD |
| Y | 315° | Y | YELLOW | HVGIS402FCYY |
| Z | 90° | BL | BLUE | HVGIS402FCZBL |
| W | 45° | G | GREEN | HVGIS402FCWG |
| | | BK | BLACK | HVGIS402FCBK |

| TECHNICAL DATA | |
|---------------------------------------|-------------------------|
| CURRENT RATE(2.5MM ² WIRE) | 23A |
| CURRENT RATE(4MM ² WIRE) | 32A |
| UL RATING VOLTAGE POLLUTION DEGREE 2 | 400VAC, 690VDC |
| OPERATING TEMPERATURE | -40-125°C |
| DIELECTRIC WITHSTANDING VOLTAGE | 3000V |
| INSULATION RESISTANCE | 2000MEGOHMS MIN. (25°C) |
| DURABILITY | 500 CYCLES |
| SHIELDING | YES |
| WATERPROOF (MATED CONDITION) | IP67 |
| AMBIENT TEMPERATURE | -40-70° |

| DIMENSIONS | TOLERANCES | PROJECTION | TITLE | |
|---|--|-------------------|-----------------------------------|--------------|
| ANSI Y14.5M UNITS: MM Pro/E FILE | X ±0.3 XX ±0.20 ANGLES ±0.5° | | Amphenol Pcd Shenzhen | |
| ORIGINAL NOT FOR CUSTOMER DISTRIBUTION | THIS DOCUMENT CONTAINS PROPRIETARY INFORMATION WHICH IS THE CONFIDENTIAL PROPERTY OF AMPHENOL PCD SHENZHEN | | ENGR ROY.QU | 2016.12.15 |
| | | | CHKD | |
| | | | APPD | |
| | | SIZE A3 | DWG NO. HVGIS-402FCX-XX | |
| | | CODE: 58982 | SCALE: 2:1 | SHEET 1 OF 1 |
| | | | REV G | |

HVGIS-402FCX-XX

HVGIS-402FCX-XX