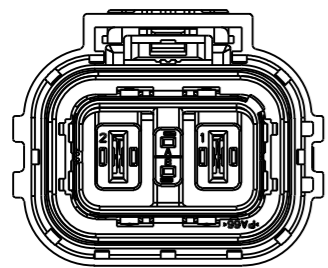
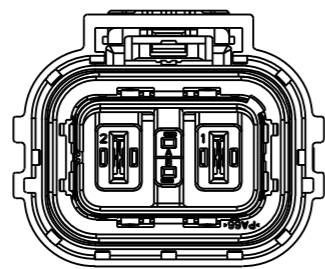


Amphenol PCDSZ  
ORIGINAL  
PDF Format  
R&D

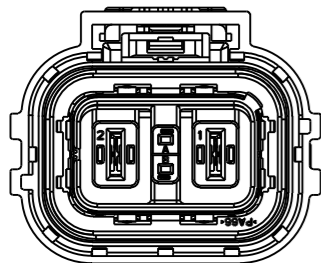
REV	ECN	DESCRIPTION	DATE	MODIFIED
A		PRE-RELEASE	2016.02.01	G.TANG
B		ADD KEYWAY	2017.6.20	Celine.xie
C		CHANGE NOTES	2017.10.16	Celine.xie
D		ADD CABLE TOLERANCE	2018.4.26	Celine.xie
E		INCREASE BOM	2018.6.22	Celine.xie



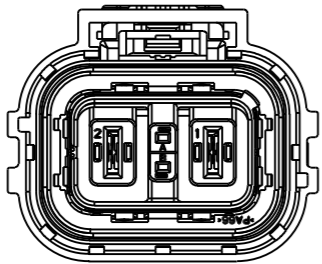
KEY A  
C-HVSL630 06 2 A X XX XX



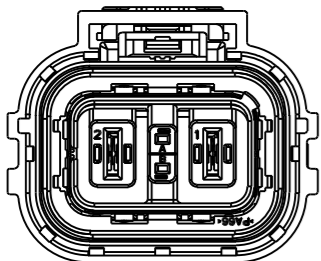
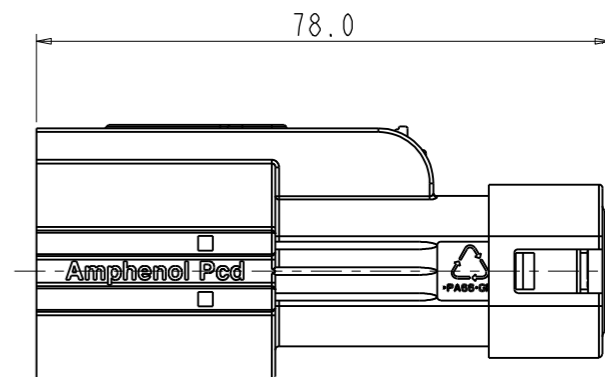
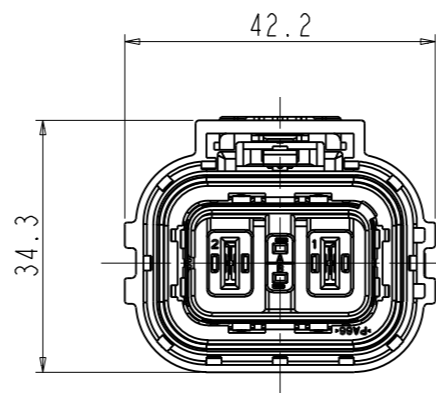
KEY D  
C-HVSL630 06 2 D X XX XX



KEY B  
C-HVSL630 06 2 B X XX XX



KEY E  
C-HVSL630 06 2 E X XX XX

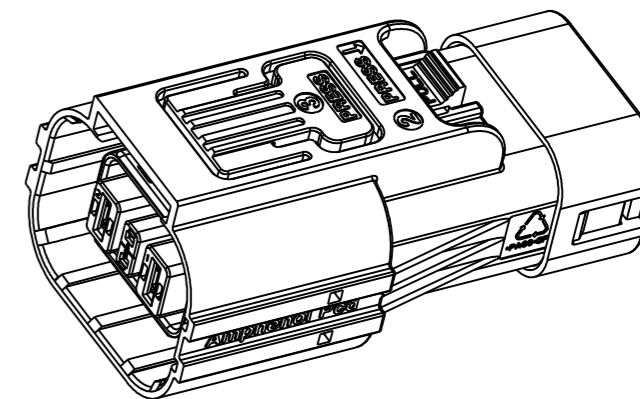


KEY C  
C-HVSL630 06 2 C X XX XX

安费诺精密连接器(深圳)有限公司  
Amphenol PCD Shenzhen  
受控文件  
2019年4月17日

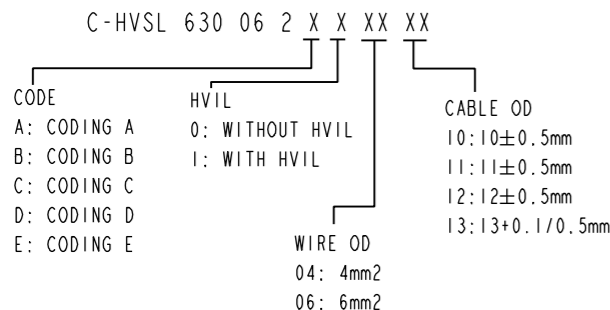
3. TECHNICAL DATA TABLE

TECHNICAL DATA		
CURRENT RATE (4-6MM <sup>2</sup> SHIELD CABLE)	23A(4mm <sup>2</sup> CABLE) 40A(6mm <sup>2</sup> CABLE)	✦
UL RATING VOLTAGE (OVERVOLTAGE CATEGORY II POLLUTION DEGREE 2)	800V DC	✦
OPERATING TEMPERATURE	-40~125°C	
DIELECTRIC WITH STANDING VOLTAGE	3000V AC	✦
INSULATION RESISTANCE	100MΩ MIN	✦
DURABILITY	50 CYCLES	◎
SHIELDING	YES	
WATERPROOF(MATED CONDITION)	IP67, IP6K9K	✦
PROTECTION LEVEL	IP2XB	✦
AMBIENT TEMPERATURE	-40~70°C	



NOTES:

- MATERIAL & FINISH:
  - ✦ PLASTIC BODY: THERMOPLASTICS UL 94V-0 ORANGE COLOR
  - ✦ CONTACTS: COPPER ALLOY SILVER PLATED
  - SHIELD: COPPER ALLOY
  - ✦ SEAL: SILICONE
- PART NUMBER DESCRIPTION:



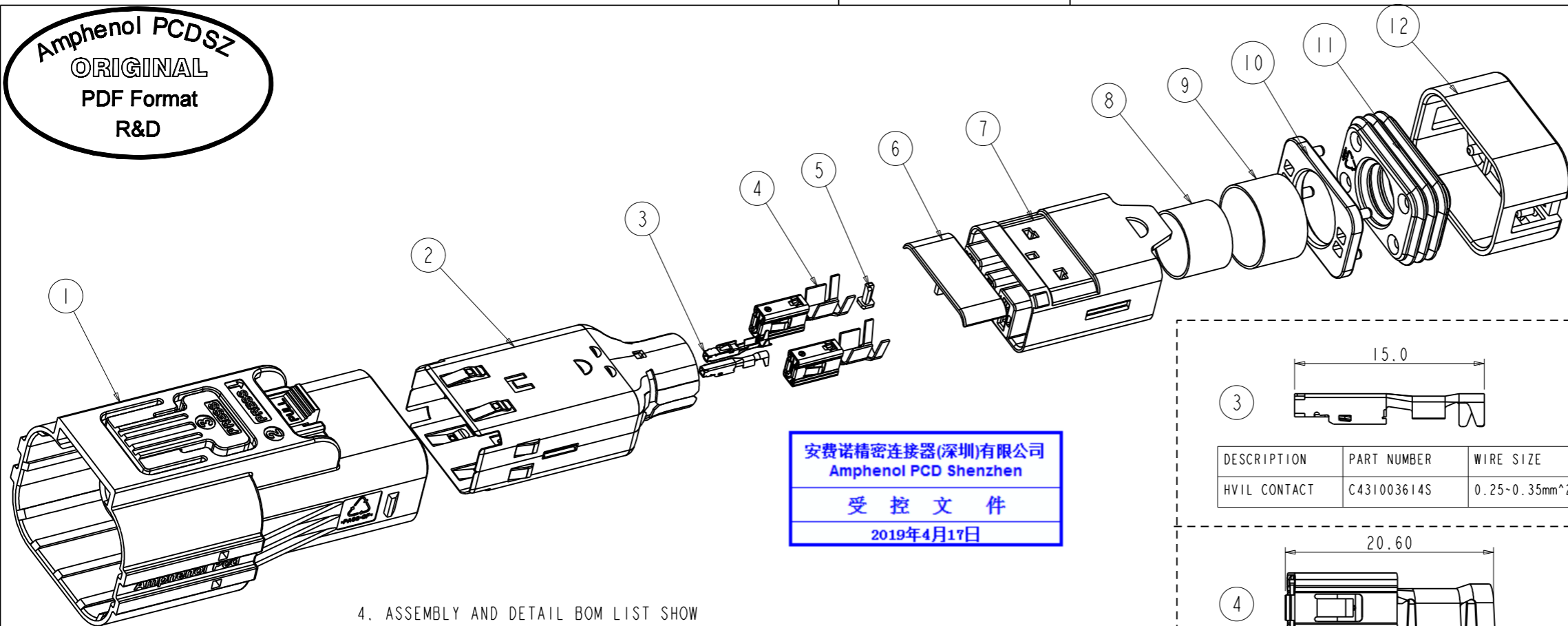
✦ CRITICAL CHARACTERISTIC MARKS/关键特性符号  
◎ IMPORTANT CHARACTERISTIC MARKS/重要特性符号

DIMENSIONS	TOLERANCES	PROJECTION	TITLE		
ANSI Y14.5M UNITS: MM Pro/E FILE	X ±0.5 .XX ±0.05 ANGLES ±0.5°		Amphenol Pcd Shenzhen		
ORIGINAL FOR CUSTOMER DISTRIBUTION	THIS DOCUMENT CONTAINS PROPRIETARY INFORMATION WHICH IS THE CONFIDENTIAL PROPERTY OF AMPHENOL PCD SHENZHEN	ENGR G.TANG CHKD APPD	Mar-25-14		
			SIZE A3	DWG NO. C-HVSL630062XXXXXX	REV E
			CODE: 58982	SCALE: 1:1	SHEET 1 OF 2

C-HVSL630062XXXXXX

C-HVSL630062XXXXXX

Amphenol PCDSZ  
ORIGINAL  
PDF Format  
R&D

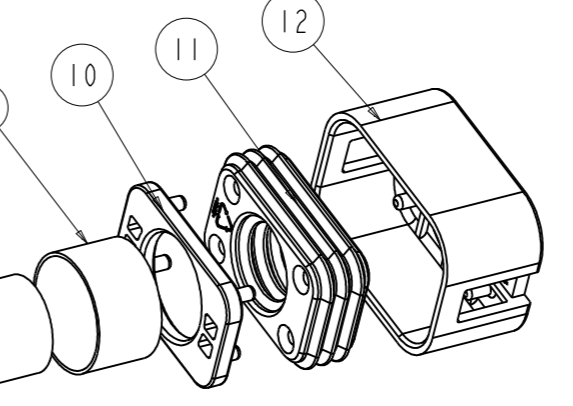


安费诺精密连接器(深圳)有限公司  
Amphenol PCD Shenzhen  
受控文件  
2019年4月17日

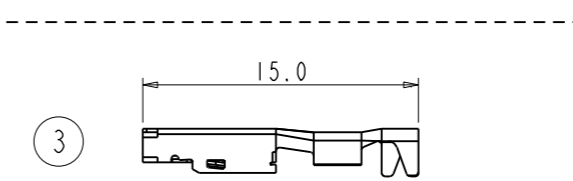
4. ASSEMBLY AND DETAIL BOM LIST SHOW

C-HVSL630062XXXXXX	12	C422003620	END CAP	1
	11	C427003607X	CABLE SEAL	1
	10	C422003622	SPACER	1
	9	P03BM00042	OUTER FERRULE(CABLE DIAMETER:13)	1
		C421003602S	OUTER FERRULE(CABLE DIAMETER:10/11/12)	1
	8	P03BM00041	INNER FERRULE(CABLE DIAMETER:13)	1
		C421003601S	INNER FERRULE(CABLE DIAMETER:10/11/12)	1
	7	C422003653	INNER HOUSING	1
	6	C422003655	TPA	1
	5	C422003656	TPA	1
	4	C431003623S	MAIN CONTACT	2
	3	C431003614S	HVIL CONTACT	2(OPTIONAL)
2	C431003609	SHIELD	2	
1	HVSL630062XX	PLUG (KEY AND HVIL/NO HVIL)	1	
ASSEMBLY P/N	ITEM	P/N	DESCRIPTION	Q'TY

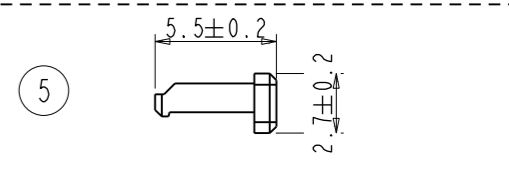
	DESCRIPTION	PART NUMBER	DIM"D1"	DIM"D2"	8
	INNER FERRULE(CABLE DIM:10/11/12)	C421003601	12.6±0.1	13.6±0.1	
	DESCRIPTION	PART NUMBER	DIM"D1"	DIM"D2"	9
	INNER FERRULE(CABLE DIM:13)	P03BM00041	13.5±0.1	14.5±0.1	



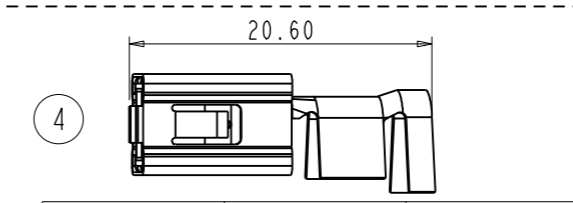
DESCRIPTION	PART NUMBER
SHIELD	C431003609



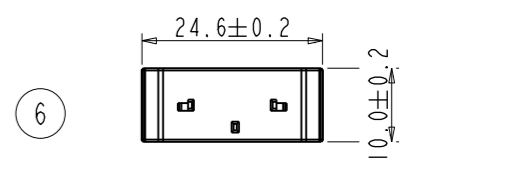
DESCRIPTION	PART NUMBER	WIRE SIZE
HVIL CONTACT	C431003614S	0.25-0.35mm <sup>2</sup>



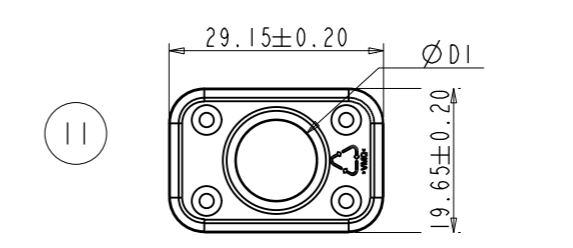
DESCRIPTION	PART NUMBER
TPA	C422003656



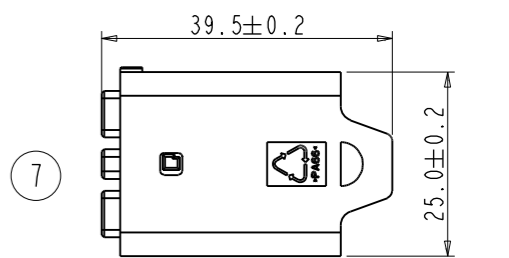
DESCRIPTION	PART NUMBER	WIRE SIZE
MAIN CONTACT	C431003623S	4-6mm <sup>2</sup>



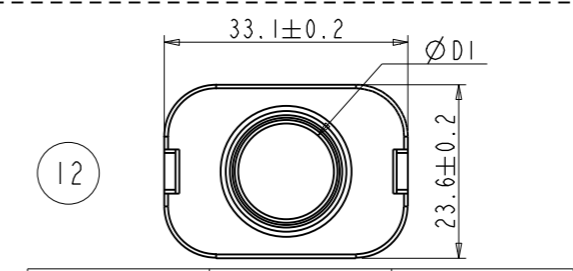
DESCRIPTION	PART NUMBER
TPA	C422003655



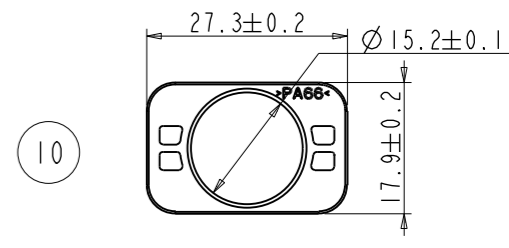
DESCRIPTION	PART NUMBER	DIM"D1"	ADAPTED(OD)
SEAL	C427003607	10.9±0.3	Ø12,13mm CABLE
	C427003607I	9.9±0.3	Ø11mm CABLE
	C4270036072	8.9±0.3	Ø10mm CABLE



DESCRIPTION	PART NUMBER
TPA	C422003653



DESCRIPTION	PART NUMBER	DIM"D1" (mm)
END CAP	C422003620	13±0.1



DESCRIPTION	PART NUMBER
SPACER	C422003622

C-HVSL630062XXXXXX

C-HVSL630062XXXXXX