





给您一颗快乐的“芯”！

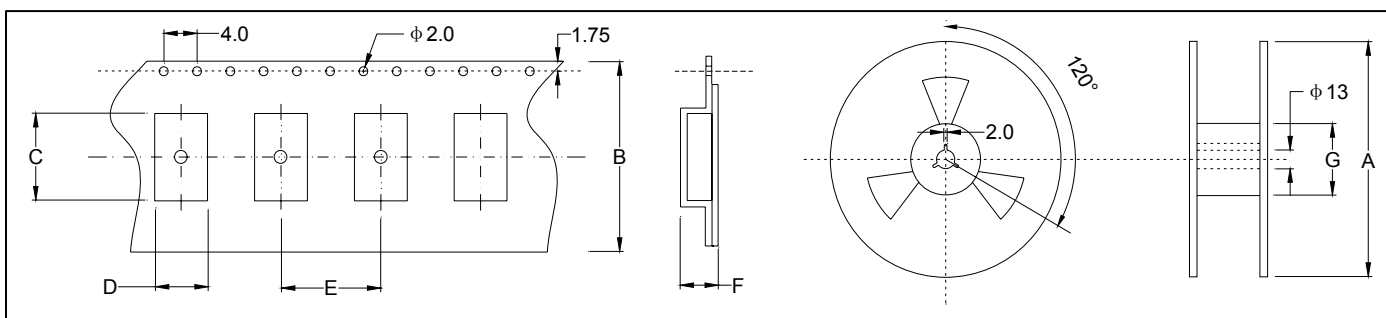
# YSX1610SK



★ PART NUMBER GUIDE 部件号示例 e.g. X161032768KGB2SI YSX1610SL=1.60×1.00 SMD SEAM TYPE

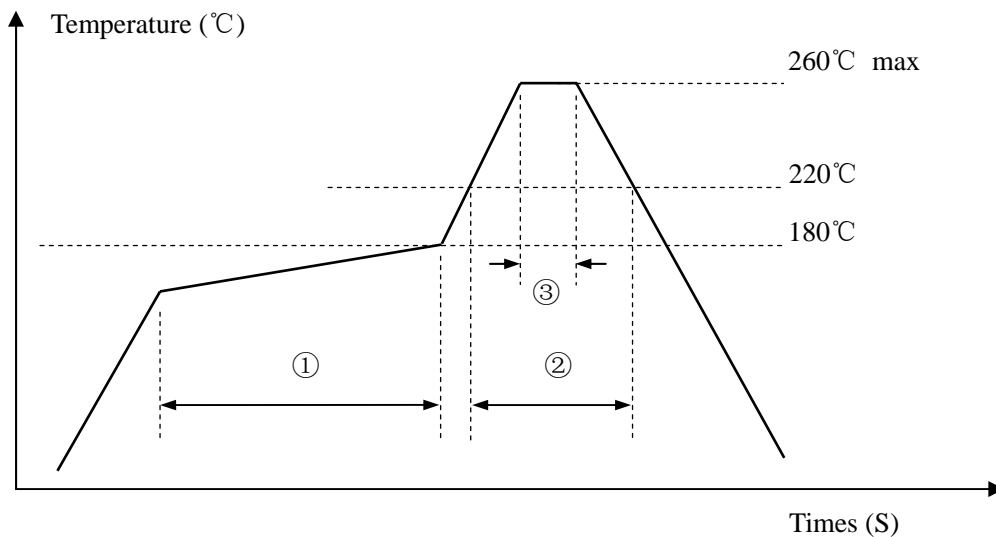
Quartz Crystal Resonator	Dimensions	Frequency (Hz)	Load Capacitance (Pf)	Frequency Stability Overall (ppm)	Pin	Material	Operating Temp. Range
X	1610	32.768K	G	B	2	S	I

★ TAPING SPECIFICATION (Unit: mm) 编带规格



	A	B	C	D	E	F	G
SMD2016	180±2.0	8.0±0.2	2.30±0.01	1.90±0.01	4.0±0.1	0.70±0.01	60.0±1.0
5000 pcs per reel							

★ REFLOW SOLDERING PROFILE 回流焊特性



Pb free reflow A	①	Preheat	170~180°C	120sec. max
	②	Primary heat	220°C	60sec. max
	③	Peak	260°C	10sec. max.