

規格承認書

PECIFICATION FOR APPROVAL

客戶

CUSTOMER : 立創

項目

ITEM : 超声波传感器

型號

TYPE : GU1007C-40TR

描述

DESCRIPTION : $\phi 10 \times H7 \text{mm}$ 40KHz 开放式, 收发一体

客戶料號

CUSTOMER NO. :

規格書號

SPECIFICATION NO.:

版本

EDITION NO. : V1.0

日期

DATE : 2018-4-10

客戶承認

CUSTOMER CONFIRM AND SIGN

檢查 TESTED BY	審核 CHECKED BY	承認 APPROVED BY

東莞市贏海電子有限公司

DONGUAN INGHAIELECTRONICS CO.,LTD

製作 ISSUED BY	審查 CHECKED BY	確認 APPROVED BY
周明	刘承成	

地址: 廣東省東莞市虎門鎮懷德社區雅瑤工業區

電話 / TEL: 0769-83060958 傳真 / FAX: 0769-81608993

網址: [HTTP://WWW.INGHAI.COM](http://www.inghai.com)

A. Scope

This specification applies Ultrasonic sensor GU1007AO-40TR

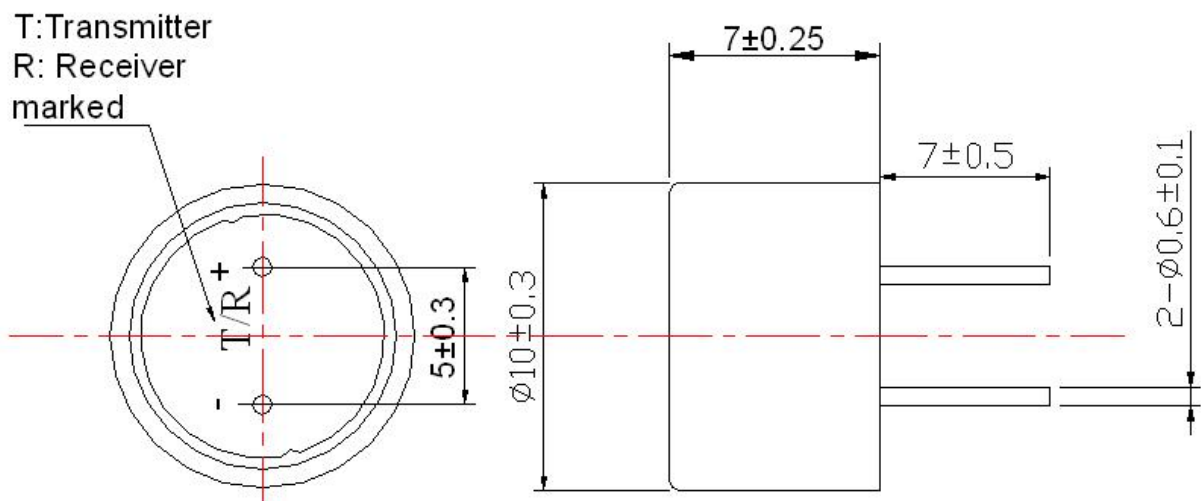
B. Characteristics

- 1.1) Open structure and separate use
- 1.2) Compact and light weight
- 1.3) High sensitivity and sound pressure
- 1.4) Less power consumption
- 1.5) High reliability

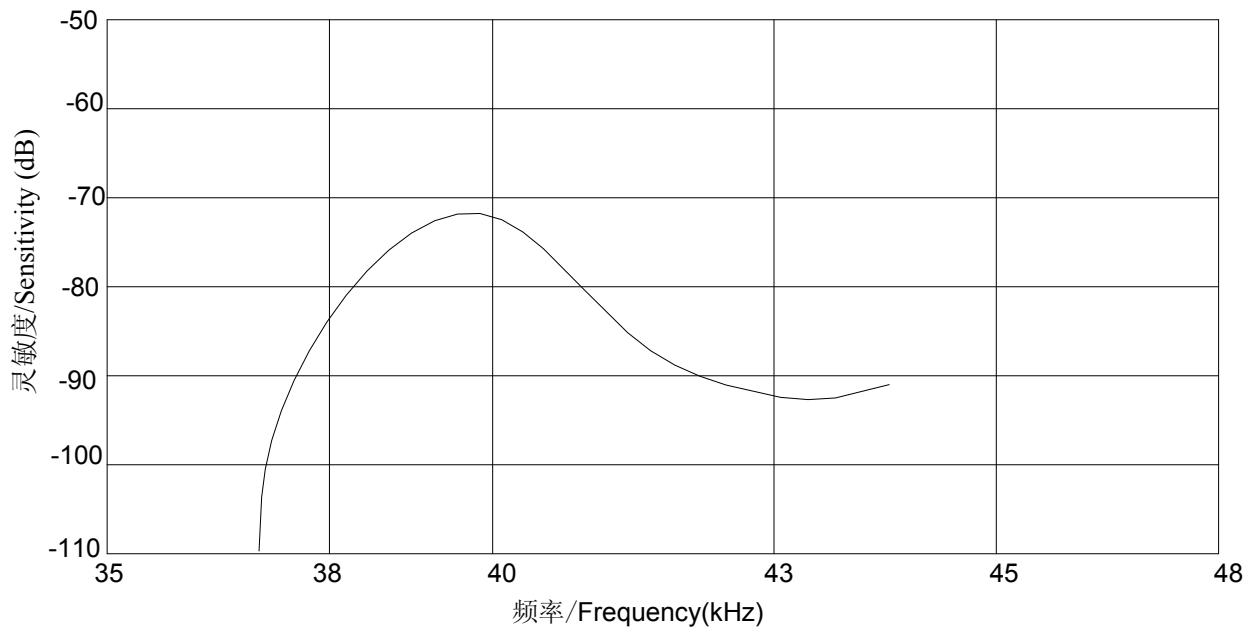
C. Technical terms

No.	Item	Unit	Specification
1	Construction		Open
2	Using method		Transmitter/Receiver
3	Nominal Frequency	Hz	40K
4	Sensitivity		$\geq -75\text{dBV}/\mu\text{Mbar}$
5	S P L	dB	≥ 108 (10V/30cm/sine wave)
6	Directivity		80deg
7	Capacitance	pF	$2100 \pm 25\% @ 1\text{KHz}$
8	Detectable range	m	0.2...12
9	Operating Temperature	°C	-20...+80
10	Housing material		PLASTIC

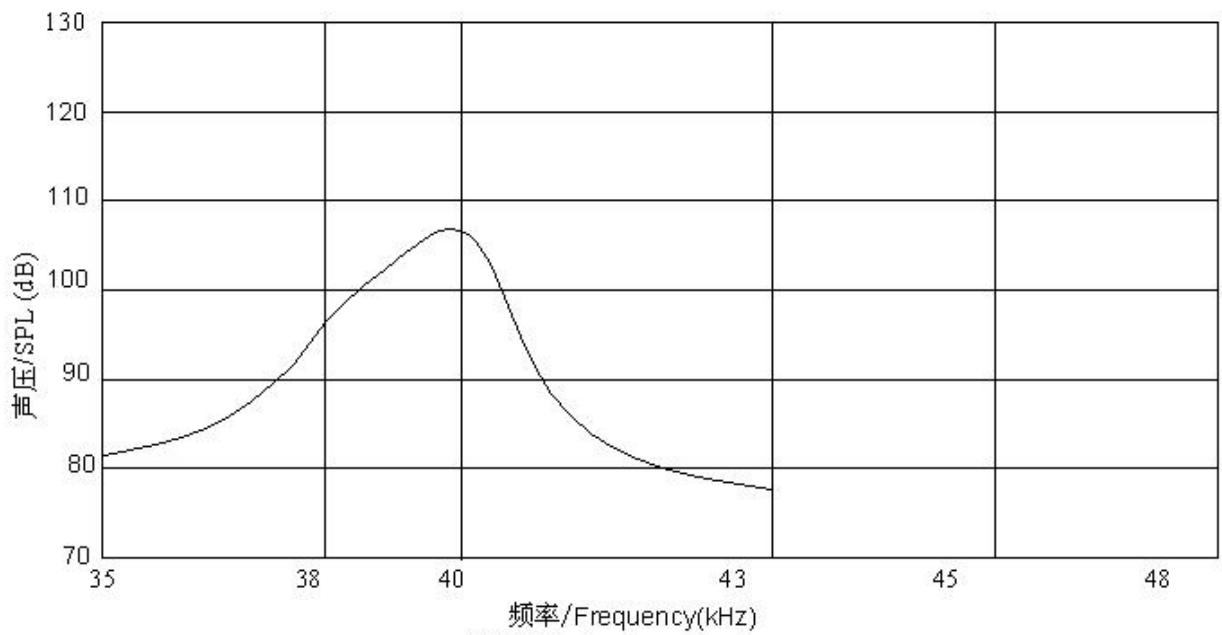
D .Drawing



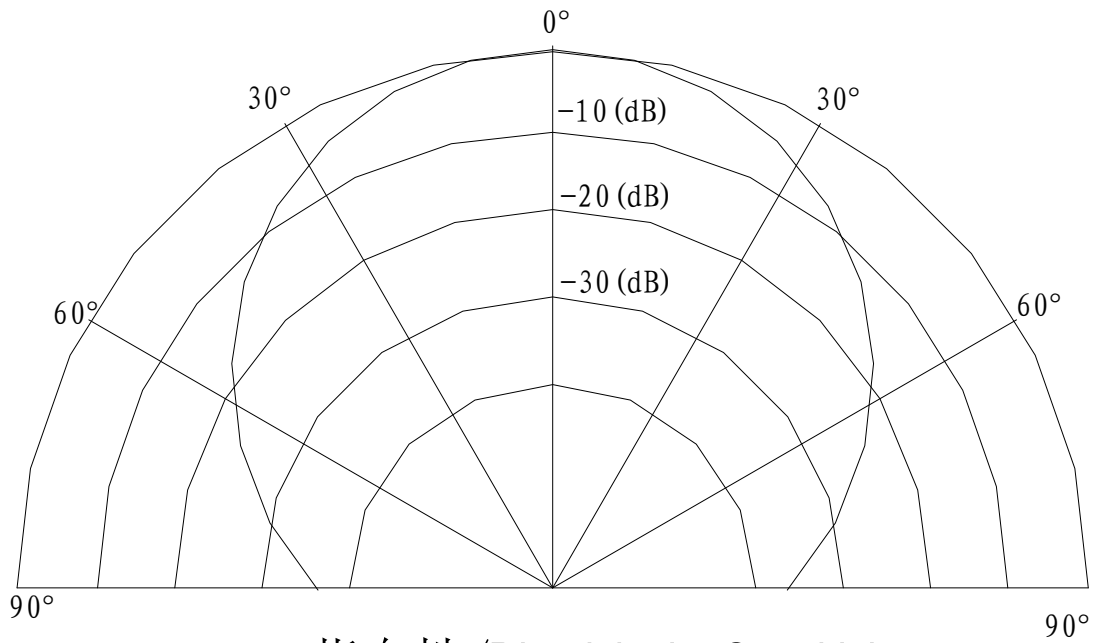
E. Beam Pattern



灵敏度-频率特性图/Sensitivity-Freq.Characteristics



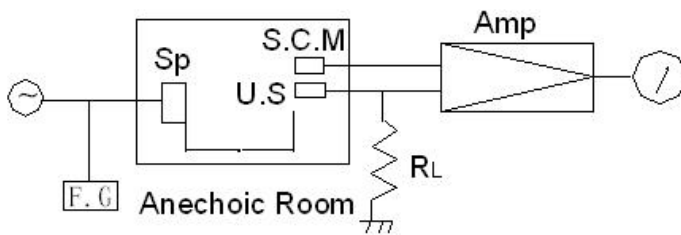
声压-频率特性图/SPL-Freq.Characteristics



指向性/Directivity in Sensitivity

F. Test Circuit

Receiver



RL: $3.9K\Omega$

U.S. :Ultrasonic Sensor

S.C.M:Standard Cappacitor Microphone

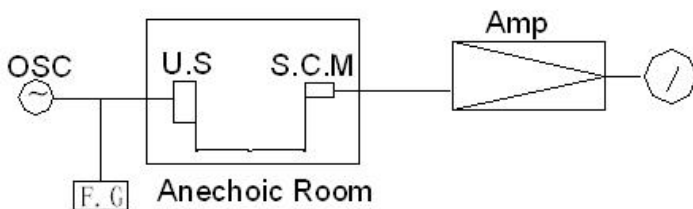
Amp. :Amplifier

OSC. :Oscillator

Sp :Tweeter

F.C. :Frequency Counter

Transmitter



U.S. :Ultrasonic Sensor

S.C.M:Standard Cappacitor Microphone

Amp. :Amplifier

Input voltage:10Vrms

F.C. :Frequency Counter