

产品承认书

SPECIFICATION FOR APPROVAL

CUSTOMER:

CUSTOMER P/N:

JXD P/N.:

B1201D

DESCRIPTION:

10/100 BASE-T MAGNETICS MODULES

REF NO:

QTC-005

REV/NO:

A/0

DATE:

2014-9-28

ATTACHMENT:

■ SPECIFICATION

■ SAMPLE Q'TY OF SAMPLES _____ PCS

| | √ | CUSTOMER'S SIGNATURE | REMARK |
|-------------------------|---|-------------------------|--------|
| FULL APPROVED | | | |
| CONDITIONAL APPROVED | | | |
| REJECTED | | | |



深圳磁联达电子有限公司

Shenzhen CND-TEK Industrial Co.,Ltd

公司地址: 深圳市南山区西丽镇阳光工业区5栋3楼

TEL: 86-755-29016433 FAX: 0755-27652977

Email: cd001@cd-tek.com

Http: //www.cd-tek.com

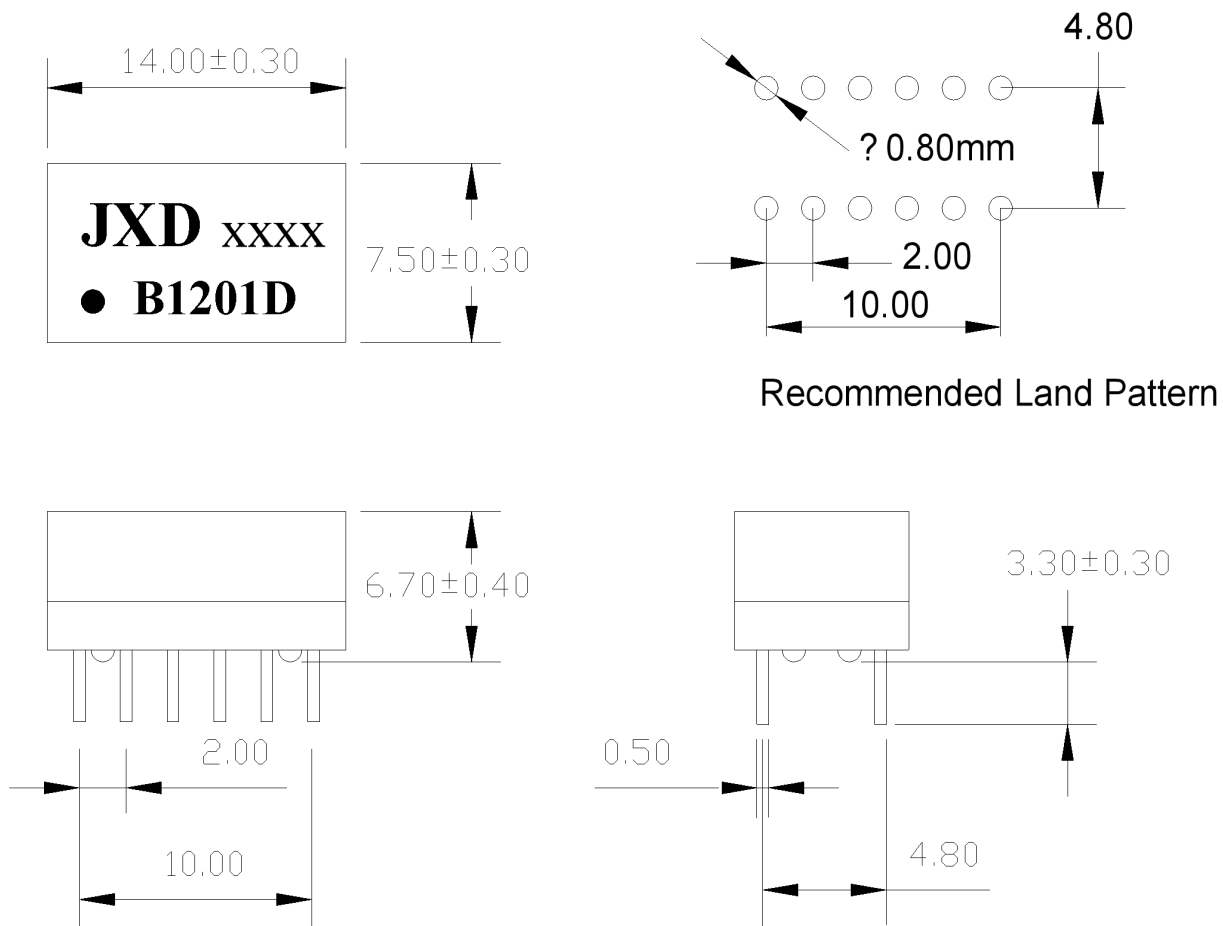
RoHS
Compliant



1. FEATURES:

- 1.1 Compatible with various 10/100 Base-TX transceiver requiring 1:1 transmit and receive turns ratio
- 1.2 Compliant with IEEE 802.3 standard including baseline wander compensation specification of 350uH OCL when Biased at 8mA from 0°C to 70°C
- 1.3 Single channel interface for 10/100Mbps Ethernet applications with CMC's tuned to Enhance EMC system performance
- 1.4 Available in Through Hole package.
- 1.5 Operating Temperature range: 0°C TO +70°C
- 1.6 Storage temperature range: -25°C TO +125°C

2. DIMENSIONS & MARKING



Note: 1、 Dimension: mm

2、 Unless otherwise specified, all tolerances are: ±0.05mm

DRAWN BY: CHECKED BY: APPROVED BY: CUSTOMER:

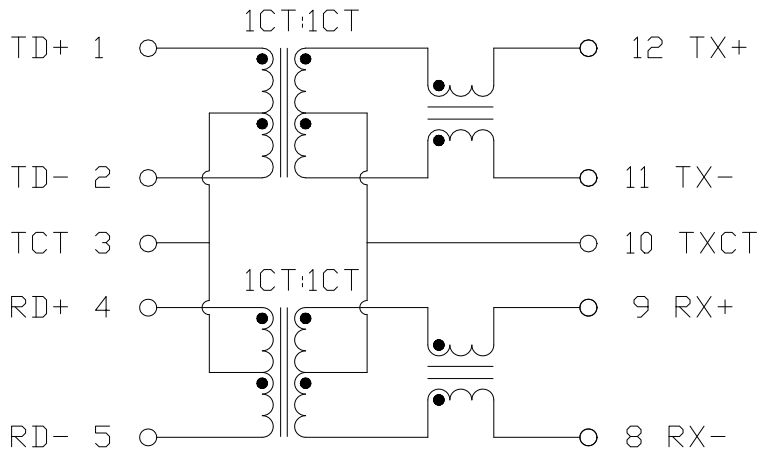
PART NO. : B1201D



深圳磁联达电子有限公司
Shenzhen magnetic Lianda Electronics Co. Ltd.

REV.: A/0
PAGE: 2 OF 4

3. SCHEMATICS:



4. ELECTRICAL SPECIFICATIONS @25°C

4.1 OCL : 350 μ H Min. @ 100 KHz, 100mV with 8mA DC Bias

4.2 Leakage Inductance: 0.5 μ H Max. @ 100KHz, 0.2V

4.3 Cw/w: 56 pF Max. @ 100KHz, 0.2V

4.4 DCR: 0.9 Max.

4.5 Turns Ratio(\pm 5%): 1CT:1(TX), 1CT:1(RX)

4.6 Polarity: 1-12, 4-9 In-Phase

4.7 Insertion Loss: -1.1 dB Max. (TX & RX)@ 1-100 MHz

4.8 Return Loss: -18 dB Min @ 0.5-30MHz

-15 dB Min @ 40 MHz

-13 dB Min @ 60 MHz

-11 dB Min @ 80 MHz

-10 dB Min.@ 100 MHz

4.9 Cross Talk: -45 dB Min.@ 30 MHz

-40 dB Min.@ 60 MHz

-35 dB Min.@ 100 MHz

4.10 Common Mode Rejection : -43 dB Min.@ 1-30 MHz

-37 dB Min.@ 60 MHz

-33 dB Min.@ 80-100 MHz

4.11 Isolation HI-POT: 1500Vrms 1mA 1Second

DRAWN BY: CHECKED BY: APPROVED BY: CUSTOMER:

PART NO. : B1201D



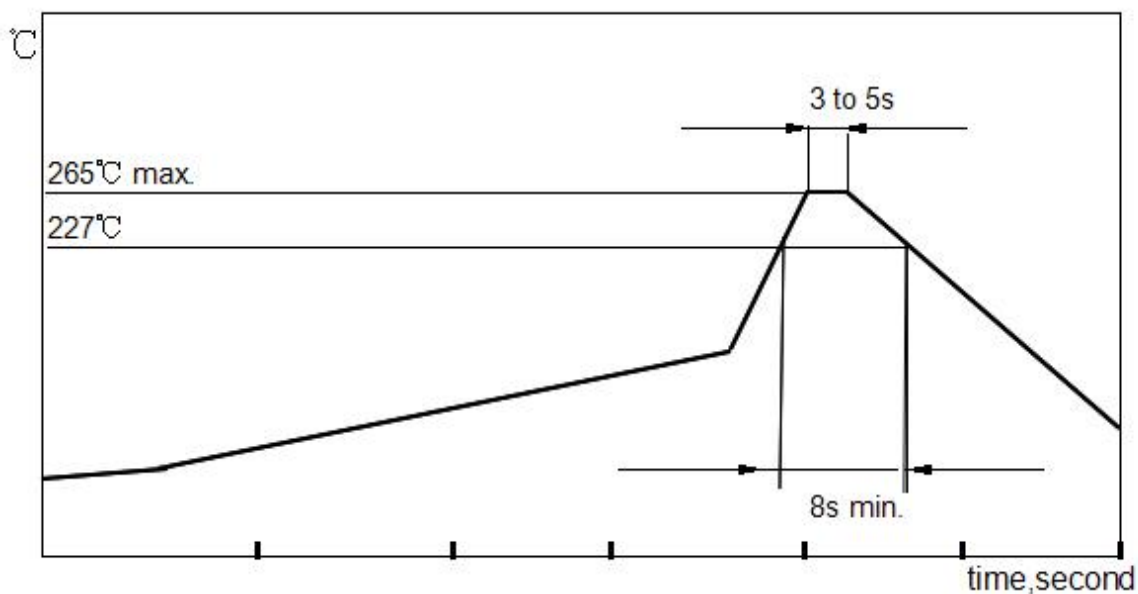
深圳磁联达电子有限公司

REV.: A/0

Shenzhen magnetic Lianda Electronics Co. Ltd.

PAGE: 3 OF 4

5. Recommended Lead Free Wave Soldering Curve :



| Item | Soldertechnique simulation | Temperature (°C) | Time(s) | Temperature ramp/immersion and emersion rate |
|------|-------------------------------------|------------------------------|-----------------------|---|
| 1 | Solder iron | 350±10 (solder irno temp) | 4~5 | |
| 2 | Vapor phase reflow | 215±5 (vapor temp) | 10±1 | 25mm/s±6mm/s |
| 3 | Wave:TopsideBoar d-mount product | 260±5 (solder temp) | 20±1 | |
| 4 | Wave:BottomsideB oard-mount | 260±5 (solder temp) | 10±1 | Preheat 1°C/s~4°C/s to within 100°C of solder temp |
| 5 | Vapor phase reflow | 215±5 (vapor temp) | 215±5 (vapor temp) | |

6. Reliability Test Criteria:

6.1 Terminal strength: Pull test withstand 9.8N 60+/-0.5S no looseness or movement.

6.2 Solderbility: Dipped in 245°C+/-5°C molten solder for 3+/-0.5 seconds,95% min shall be smooth any and bright.

6.3 Resistance to soldering heat : Dip in 260°C+/- 5°C molten solder for 5+/- 0.5 seconds. Shall not be any abnormality.

6.4 Vibration: 1.5mm amplitude total excursion 10-55-10 Hz traversed in 1minute, x.y.z, axis for 2 hours. Shall not be any abnormality.

6.5 Random drop (Packing condition): Height 60cm, 3 times on the wood floorboard ,shall not be any abnormality.

6.6 Dry heat: 100+/-2°C 96 hours.

6.7 Cold: -20+/-2°C 96 hours.

6.8 Damp Heat: 60+/-2°C, 93+/-3% RH 96 hours.

6.9 Change of temperature: exposed 5 cycle; each consisting of 30 minutes at -20+/-2°C,2-3minutes at 20+/-2°C,30 minutes at 85+/-2°C, 2-3 minutes at 20+/-2°C.

DRAWN BY: CHECKED BY: APPROVED BY: CUSTOMER:

PART NO. : B1201D



深圳磁联达电子有限公司

REV.: A/0

Shenzhen magnetic Lianda Electronics Co. Ltd.

PAGE: 4 OF 4