



ISO9001 ISO14001 IATF16949 CHILISIN ELECTRONICS CORP.

RoHS & Halogen Free & REACH Compliance.

SPECIFICATION FOR APPROVAL

Customer : 各廠家

Customer P/N: _____

Drawing No : _____

Quantity : 0 Pcs. Date : 2019/06/14

Chilisin P/N : SBK160808T-252Y-N

SPECIFICATION ACCEPTED BY:	
COMPONENT ENGINEER	
ELECTRICAL ENGINEER	
MECHANICAL ENGINEER	
APPROVED	
REJECTED	

奇力新電子股份有限公司
Chilisin Electronics Corp
No. 29, Alley 301, Tehhsin Rd.,
Hukou, Hsinchu 303, Taiwan
TEL : +886-3- 599-2646
FAX : +886-3- 599-9176
E-mail : sales@chilisin.com
http : //www.chilisin.com

東莞奇力新電子(東莞廠)有限公司
Chilisin Electronics (Dongguan) Co., Ltd.
No. 78, Puxing Rd., Yuliangwei Administration Area,
Qingxi Town, Dongguan City, Guangdong, China
TEL : +86-769-8773-0251~3
FAX : +86-769-8773-0232
E-mail : cect@chilisin.com

奇力新電子(越南廠)有限公司
Chilisin Electronics (Vietnam) Limited
No 143 - 145, Road No 10, VSIP Hai Phong,
Lap Le Commune, Thuy Nguyen Dist,
Haiphong City, Vietnam
Tel : 84-316 255 688 Fax : 84-316 255
689
E-mail : sales@chilisin.com

奇力新電子(湖南廠)有限公司
HuNan Chilisin Electronics Technology Co., Ltd
No. 8, Shaziao Liangshuijing Town, Yuanling
County, Huaihua City, Hunan Province 419601,
China
Tel : 86-745-867-5882
E-mail : cect@chilisin.com

Drawn by
陳瑞揚 ryan.chen

Checked by
吳振賢 lcn07

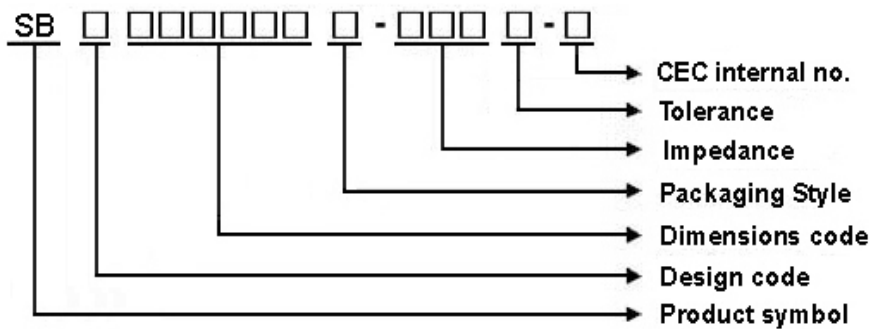
Approved by
陳瑞揚 ryan.chen



SBK160808T Series Specification

1 Scope: This specification applies to MULTILAYER FERRITE CHIP BEADS

2 Part Numbering:



3 Rating:

Operating Temperature: $-55^{\circ}\text{C} \sim 125^{\circ}\text{C}$ (Including self - temperature rise)

Storage Temperature: $-55^{\circ}\text{C} \sim 125^{\circ}\text{C}$ (after PCB)

$-5^{\circ}\text{C} \sim 40^{\circ}\text{C}$, Humidity 40%~70% (before PCB)

4 Marking:

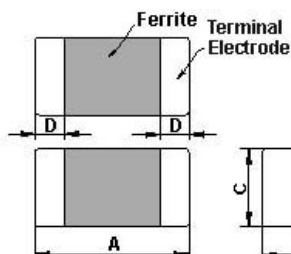
No Marking

5 Standard Testing Condition

	Unless otherwise specified	In case of doubt
Temperature	Ordinary Temperature(15 to 35°C)	20 to 30°C
Humidity	Ordinary Humidity(25 to 85% RH)	50 to 80 %RH

SBK160808T Series Specification

6 Configuration and Dimensions:



Dimensions in mm

TYPE	SB160808
A	1.6±0.15
B	0.8±0.15
C	0.8±0.15
D	0.3±0.20

7 Electrical Characteristics:

Part No.	Impedance (Ω)	Test Freq.	RDC (Ω)Max.	Rated Current (mA)Max.
SBK160808T-100□-N	10	100 MHz,200 mV	0.05	500
SBK160808T-110□-N	11	100 MHz,200 mV	0.05	500
SBK160808T-300□-N	30	100 MHz,200 mV	0.1	400
SBK160808T-310□-N	31	100 MHz,200 mV	0.1	400
SBK160808T-600□-N	60	100 MHz,200 mV	0.1	400
SBK160808T-800□-N	80	100 MHz,200 mV	0.15	400
SBK160808T-121□-N	120	100 MHz,200 mV	0.25	400
SBK160808T-221□-N	220	100 MHz,200 mV	0.3	300
SBK160808T-301□-N	300	100 MHz,200 mV	0.4	300
SBK160808T-471□-N	470	100 MHz,200 mV	0.5	300
SBK160808T-601□-N	600	100 MHz,200 mV	0.5	300
SBK160808T-102□-N	1000	100 MHz,200 mV	0.6	300
SBK160808T-122□-N	1200	100 MHz,200 mV	0.6	300
SBK160808T-152□-N	1500	100 MHz,200 mV	0.6	300
SBK160808T-182□-N	1800	100 MHz,200 mV	0.8	200
SBK160808T-202□-N	2000	100 MHz,200 mV	0.8	200
SBK160808T-222□-N	2200	100 MHz,200 mV	0.8	200
SBK160808T-252□-N	2500	100 MHz,200 mV	0.8	200
SBK160808T-272□-N	2700	100 MHz,200 mV	0.8	200

NOTE: □-tolerance Y=±25% / T=±30%

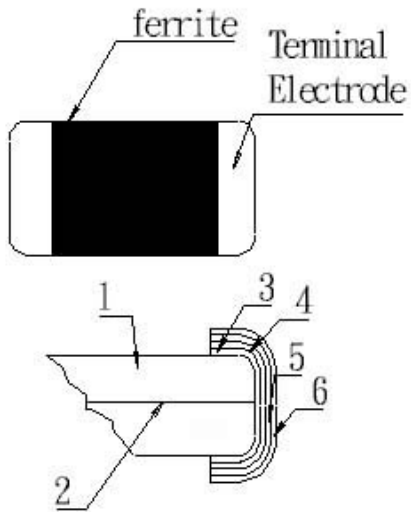
1. Operating temperature range - 5 5 °C ~ 1 2 5 °C (Including self - temperature rise)
2. Rate Current : Applied the current to coils, the temperature rise shall not be more than 30°C

"-N" FOR COMPLETELY LEAD FREE TYPE(INCLUDING FERRITE BODY & SOLDER)

SBK160808T Series Specification

8 SBK160808T Series

8.1 Construction:



8.2 Material List:

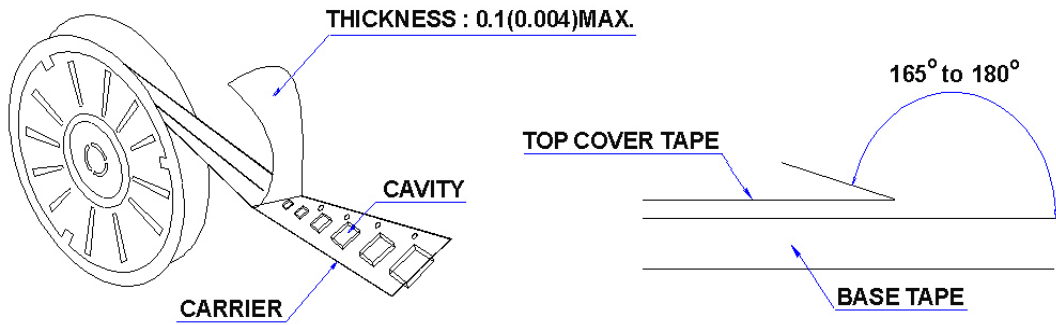
No	Part	Material
1	Ferrite Substance	NiO-CuO-ZnO-Ferrite
2	Silver electrode	Ag
3	Silver electrode	Ag
4	Cu plating	Cu
5	Ni plating	Ni
6	Sn plating	Sn

SBK160808T Series Specification

9 Packaging:

9.1 Packaging -Cover Tape

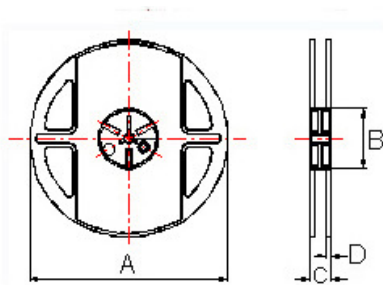
The force for tearing off cover tape is 10 to 100 grams in the arrow direction.



9.2 Packaging Quantity

TYPE	PCS/REEL
SB060303	15000
SB100505	10000
SB160808	4000
SB201209	4000

9.3 Reel Dimensions



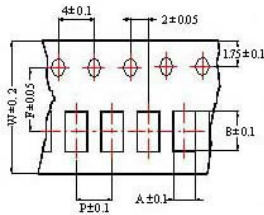
Dimensions in mm

TYPE	A	B	C	D
SB060303	178	60	12	1.5
SB100505	178	60	12	1.5
SB160808	178	60	12	1.5
SB201209	178	60	12	1.5

SBK160808T Series Specification

9 Packaging:

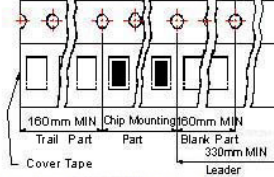
9.4 Tape Dimensions in mm



Tape Material

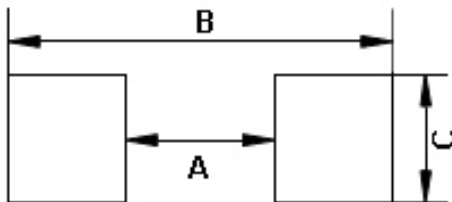
Carrier tape : Paper

Cover tape : Polyethylene



TYPE	A	B	T	W	P	F
SB060303	0.37	0.67	0.42	8	2	3.5
SB100505	0.62	1.12	0.60	8	2	3.5
SB160808	1.05	1.85	0.95	8	4	3.5
SB201209	1.50	2.30	0.97	8	4	3.5

10 Recommended Land Pattern:



Dimensions in mm

TYPE	A	B	C
SB160808	0.7 ~ 0.8	1.8 ~ 2.0	0.6 ~ 0.8

11 Note:

1. Please make sure that your product has been evaluated and confirmed against your specifications when our product is mounted to your product.
2. Do not knock nor drop.
3. All the items and parameters in this product specification have been prescribed on the premise that our product is used for the purpose, under the condition and in the environment agreed upon between you and us. You are requested not to use our product deviating from such agreement.
4. Please keep the distance between transformer/coil and other components (refer to the standard IEC 950)
5. The moisture sensitivity level (MSL) of products is classified as level 1.

SBK160808T Series Specification

12 Graph: SBK160808T-252Y-N

