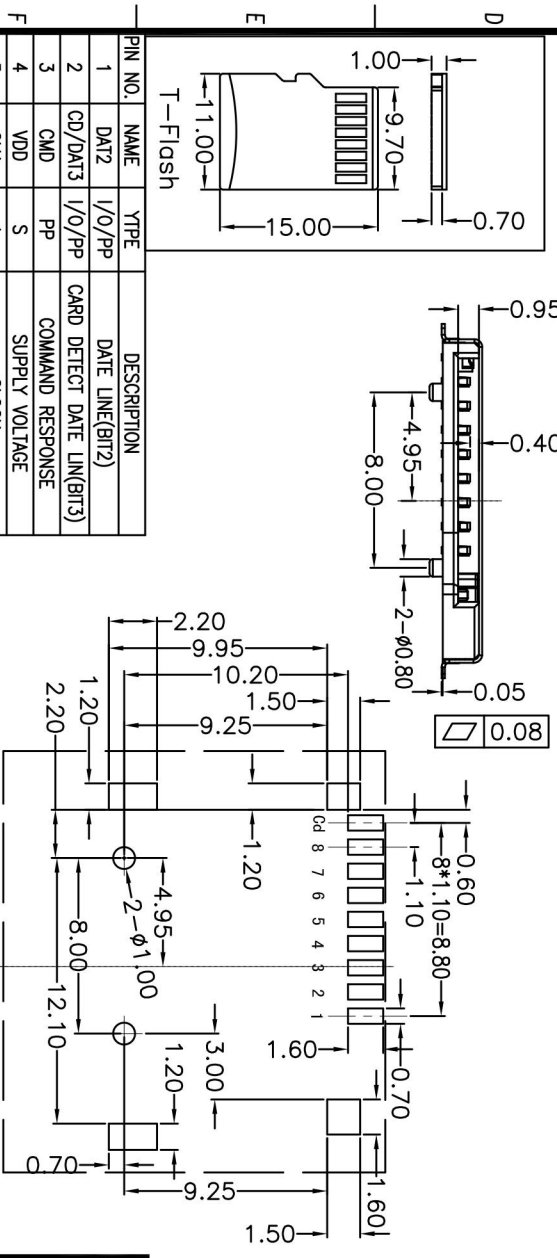
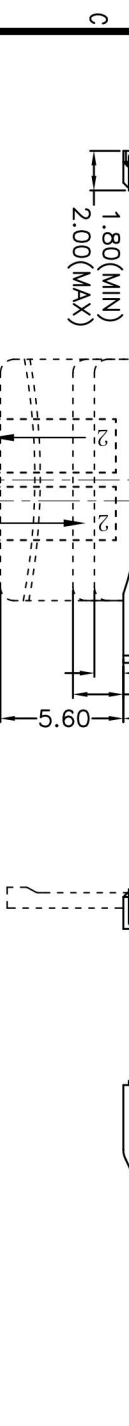
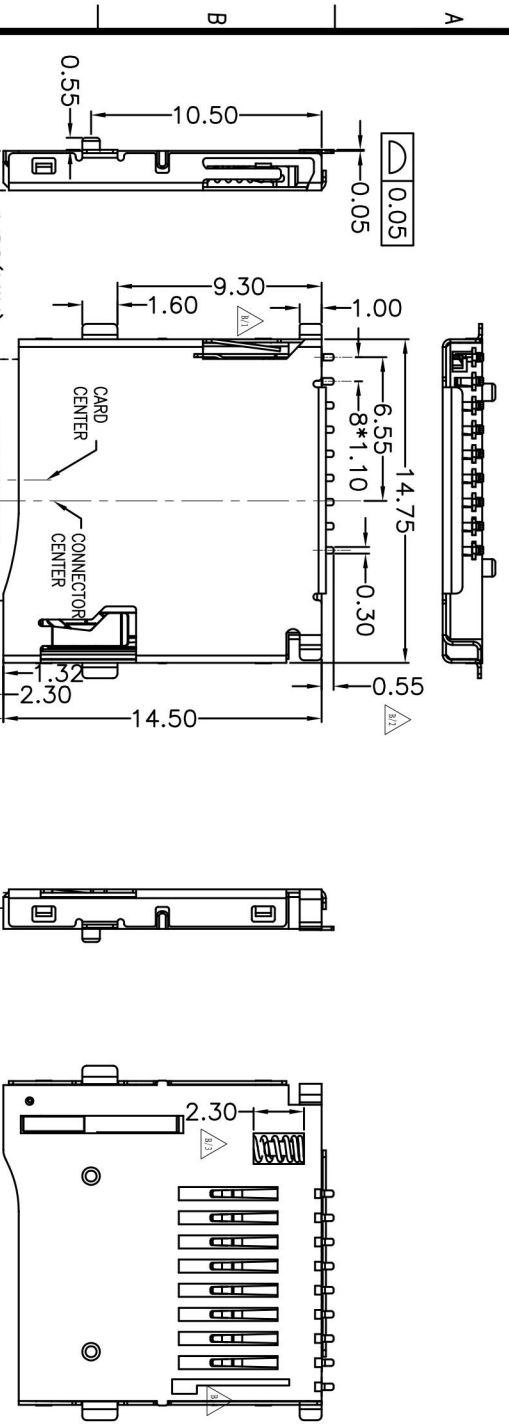
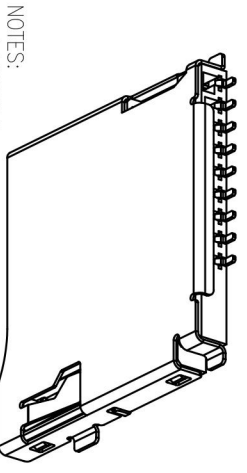
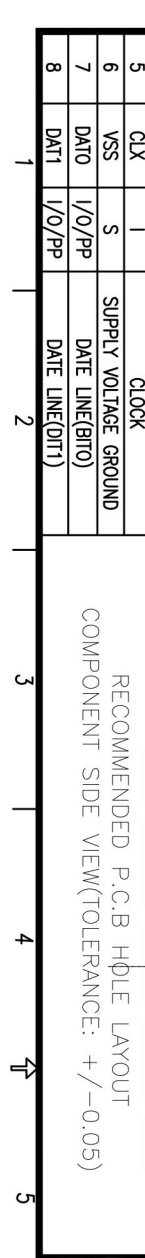


REV.	DESCRIPTION	APPD	DATE
A	外壳弹片改直		
B	尺寸0.70改为0.55		
C	尺寸3.50改为2.30		
D	主体底部增加孔位		

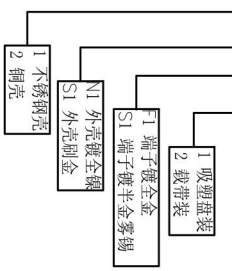


PIN NO.	NAME	TYPE	DESCRIPTION
1	DATE2	I/O/PP	DATE LINE(BIT2)
2	CD/DAT3	I/O/PP	CARD DETECT DATE LIN(BIT3)
3	CMD	PP	COMMAND RESPONSE
4	VDD	S	SUPPLY VOLTAGE
5	CLX	I	CLOCK
6	VSS	S	SUPPLY VOLTAGE GROUND
7	DAT0	I/O/PP	DATE LINE(BIT0)
8	DAT1	I/O/PP	DATE LINE(BIT1)



- NOTES:
- 1.MATERIAL:  
HOUSING: HIGH TEMPERATURE THERMOPLASTIC  
UL94V\_0,COLOR:BLACK.  
CONTACT: COPPER ALLOYS.  
COVER: COPPER ALLOYS OR STEEL.
  - 2.PLATING:  
UNDERPLATE: NICKEL.  
CONTACT AREA: GOLD OVER NICKEL.  
SOLDER AREA: TIN OVER NICKEL.
  - 3.MULTIMEDIA CARD COMPATIBLE

订购须知: TFW1X-XXXX-X000-A



PART NO:	TF-012	MATERIAL:	
LOT NO:		FINISH:	
UNIT:	MM	SIZE:	A4
TOLERANCES:	GENERAL	ANGLE:	
X.X=±0.35	X.X=±0.35	X.X=±3.0°	
X.XX=±0.25	X.XX=±0.25	X.XX=±2.0°	
X.XXX=±0.15	X.XXX=±0.15		
DR:		CHK:	
DR:		APP:	
TITLE: T-FLASH 外焊 PUSH		DWG NO:	
台湾汉博电子科技有限公司 Taiwan Han Bo Electronic Technology Co.,Ltd.		SCALE:	1:1
		SHEET:	1 OF 3
		REV:	B/4