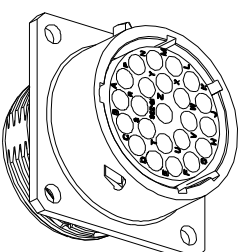
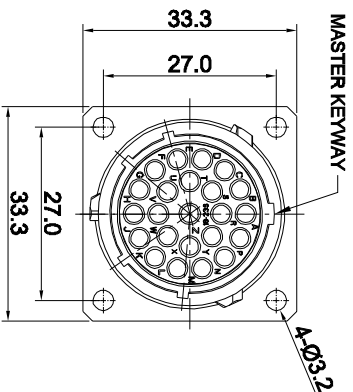
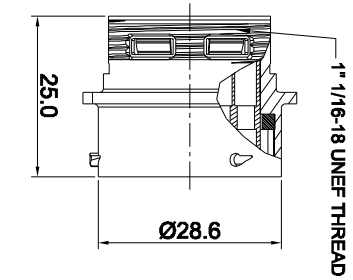
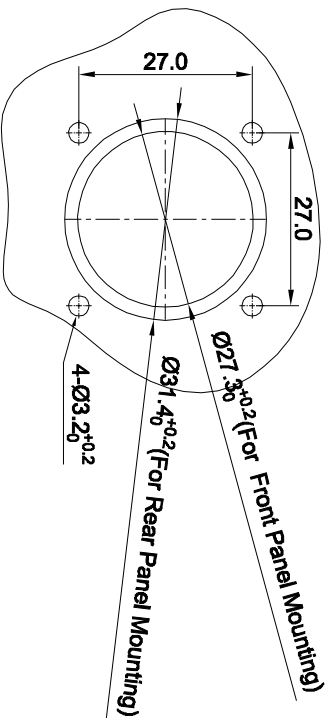


REVISIONS				
REV	ECO	DESCRIPTION	DATE	BY APPR
B1	-	RELEASED DRAWING	JUN-30-2014	BEN TOMMY



- NOTES : (UNLESS OTHERWISE SPECIFIED)
- MATERIAL :  
SHELL : ZINC ALLOY , NICKEL PLATED,  
INSERT : THERMOPLASTIC , UL94 V-0,  
SEAL GASKET : NBR/SILICONE RUBBER.
  - SPECIFICATIONS :  
2.1 RATED CURRENT : 13A (MAX).  
2.2 RATED VOLTAGE : 300V (AC/DC).  
2.3 OPERATING TEMPERATURE : SEE CHART.  
2.4 DIELECTRIC WITHSTANDING VOLTAGE : LESS THAN 2 MILLIAMPS CURRENT LEAKAGE@2000 VOLTS AC.  
2.5 INSULATION RESISTANCE : 5000 MEGOHMS MIN.  
2.6 IP--CLASS : IP67.  
2.7 MATING CYCLES DURABILITY : 500 CYCLES MIN.  
2.8 ROHS COMPLIANT.
  - SUITABLE CONTACTS : 16# CONTACTS.
  - ALL DIMENSIONS ARE FOR REFERENCE USE ONLY.



PANEL CUT OUT REFERENCE

KEY POS	PART NUMBER	
	-40°C ~ 105°C	-40°C ~ 125°C
N	RT001823SN	RT001823SN03
W	RT001823SW	RT001823SW03
X	RT001823SX	RT001823SX03
Y	RT001823SY	RT001823SY03
Z	RT001823SZ	RT001823SZ03

QUANTITY	SEE PART NUMBER CHART	PART NUMBER	DESCRIPTION	ITER

MATERIALS LIST

UNLESS OTHERWISE SPECIFIED		SIGNATURES		DATE	
1) All dimensions are in millimeters.	2) Tolerances are as indicated.	DRAWN: BEN	DESIGNED: JIM/MH		
3) Hole reference =		ENGINEER:	APPROVAL:		

PROCESS SPECIFICATIONS:	CUSTOMER:

THIS DRAWING IS SUPPLIED FOR SPECIFICATIONS AND PERFORMANCE DATA. THE DRAWING IS NOT TO BE USED FOR REPRODUCTION OR REPRODUCTION IN ANY MANNER. ALL MANUFACTURING VARIATIONS.	SCALE	SIZE	TYPE	DWG NO.	REVISION
	NONE	B	C-	RT001823S**	B1

ECO-MATE RECEPTACLE, SIZE 18, 23 POS. SOCKET.

**Amphenol**

Shie Systems - www.amphenol-slie.com  
44724 Morley Drive  
Clinton Township, MI 48038