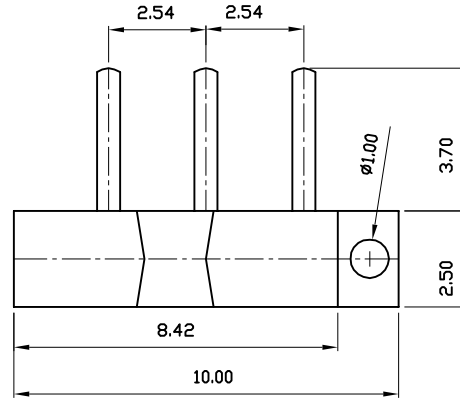
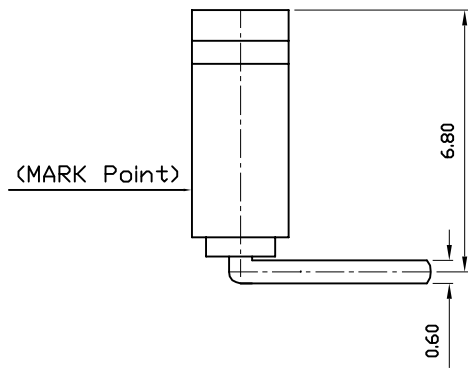
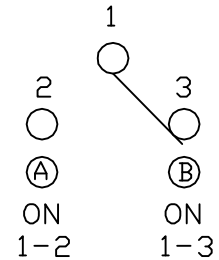
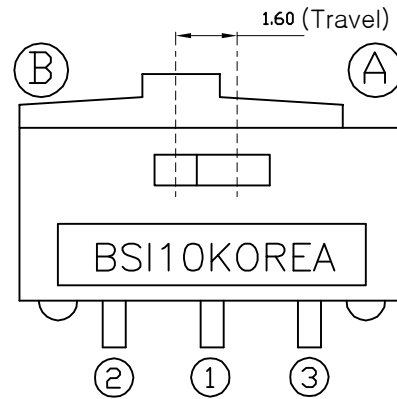
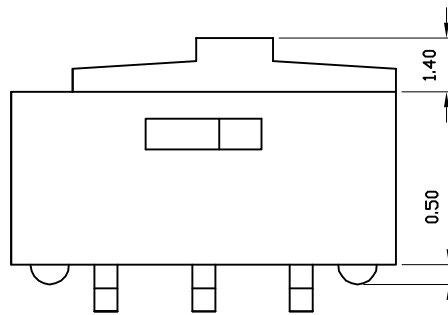


MARK	DATE	REMARKS
△		
△		

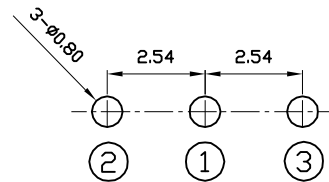


SPECIFICATION

1. Rating : 0.5A, DC 12V~0.3A, DC24V
2. Contact Resistance : 30m Ω Max
3. Travel : 1.6mm
4. Operating Force : 800gf Max
5. Life cycle : 1,000 Cycle(with load)



Circuit Diagram



P.C.B DIMENSION

NO.	DWG No.	QTY	MAT'L	SPEC'	FINISH	REMARKS
3ANG	UNIT M/M	SCL	MODEL NAME	MINI SLIDE SWITCH		
APPD.	CHKD.	D'SGD	TITLE	BSI-10H		
K.I LEE	J.P ROH	J.S SIN	DRAWG. NO.	Sheet No. 1 / 2	REV	B
SUNGMUN ELECTRONICS CO.,LTD						