

## SPECIFICATIONS

Rated(额定参数): 300V,10A  
 Dielectric strength(抗电强度): AC1500V/1 Minute  
 Insulation Resistance(绝缘电阻):500MΩ Min  
 Contact Resistance(接触电阻):20mΩ Max  
 Screw Torque(扭矩): 0.4Nm (3.5Lb.in)  
 Wire Range(线径):24~12AWG  
 Strip length(剥线长度):6~7mm  
 Temp. range(操作温度): -40℃~+105℃  
 MAX Soldering(瞬时温度):+250℃,5s

Housing Material(塑件): PA66 (UL94 V-0)  
 Contact(端子): Brass, Tin plating(黄铜镀锡)  
 Clamp(方块): Brass/Steel(铜/铁), Ni plating(镀镍)  
 Screw (螺丝): M2.5, Steel, Zinc plating(钢,镀锌)

PITCH RANGE IN MM	NOMINAL DIMENSION RANGE IN MM					
	OVER 6	OVER 10	TO 30	OVER 60	OVER 100	OVER 150
TO 6	10	TO 10	TO 30	TO 60	TO 100	TO 150
±0.10	±0.15	±0.25	±0.30	±0.30	±0.50	±0.70 ±1.00

## Ordering Information

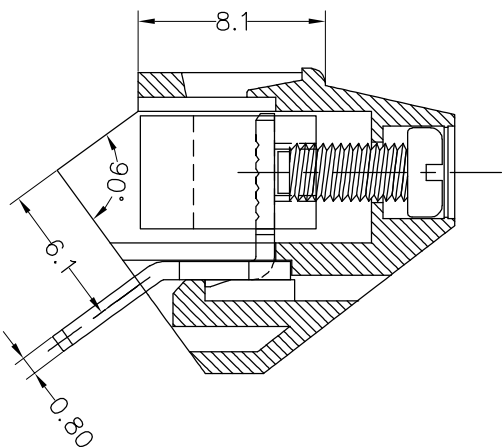
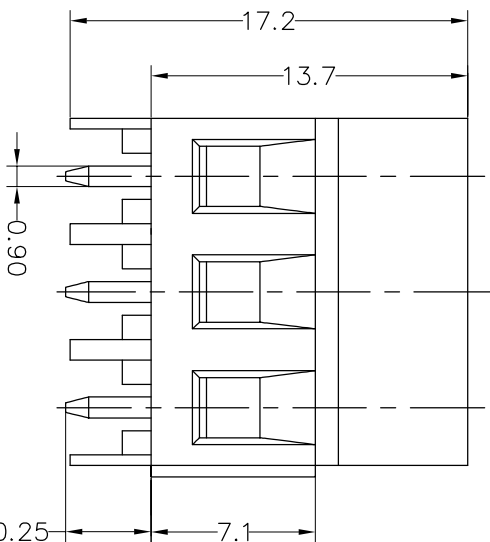
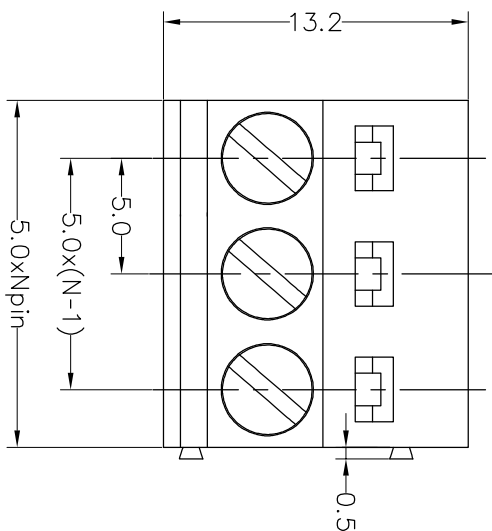
JL 103-500 XX X X 1

Pitch  
500=5.00PH

No. of pins  
2P, 3P, 4P~24P

Housing Color  
B=Black  
G=Green  
U=Blue  
R=Red  
W=White  
Y=Yellow  
O=Orange  
E=Grey

Packing  
O=Pe bog  
T=Tube  
A=Tray



REV	DATE	MODIFICATION DESCRIPTION	CHANGE	OPERATION	DRAW	BEN	16.12.09	SCALE	FIT	PART NO.	TITLE:
A0	2016.12.09	NEW DRAWING		XX ±0.30	CHECK			mm	A4	JL103-500XXXX1	5.00mm Terminal Blocks Female
1			CHANGE	X:XXX ±0.20	APPROVE				1/1		
				Angle ±3°							
				DIM							

**JILIN** 深圳市锦凌电子有限公司  
 SHENZHEN JINLING ELECTRONIC CO.,LTD  
 Tel: 86-755-2997-5806/5802 Fax: 86-755-2997-5992