

SPECIFICATIONS

Rated(额定参数): 300V,16A
 Dielectric strength(抗电强度): AC1500V/1 Minute
 Insulation Resistance(绝缘电阻):5000MΩ Min
 Contact Resistance(接触电阻):20mΩ Max
 Screw Torque(扭矩): 0.4Nm (3.5Lb.in)
 Wire Range(线径):26~14AWG
 Strip length(剥线长度):6~7mm
 Temp. range(操作温度): -40°C~+105°C
 MAX Soldering(瞬时温度):+250°C,5s

Housing Material(塑件): PA66 (UL94 V-0)
 Contact(端子): Brass, Tin plating(黄铜镀锡)
 Clamp(方块): Brass/Steel(铜/铁), Ni plating(镍鍍)
 Screw (螺丝): M2.5, Steel, Zinc plating(钢,镀锌)

PITCH RANGE	NOMINAL DIMENSION RANGE					
	IN MM	IN MM	IN MM	IN MM	IN MM	IN MM
OVER 6	OVER 10	OVER 30	OVER 60	OVER 100	OVER 150	OVER 150
TO 6	TO 10	TO 30	TO 60	TO 100	TO 150	TO 150
±0.10	±0.15	±0.25	±0.30	±0.30	±0.50	±0.70
						±1.00

Ordering Information

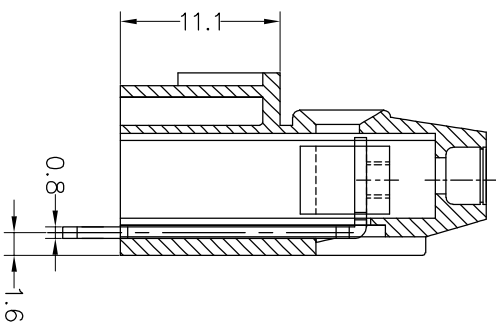
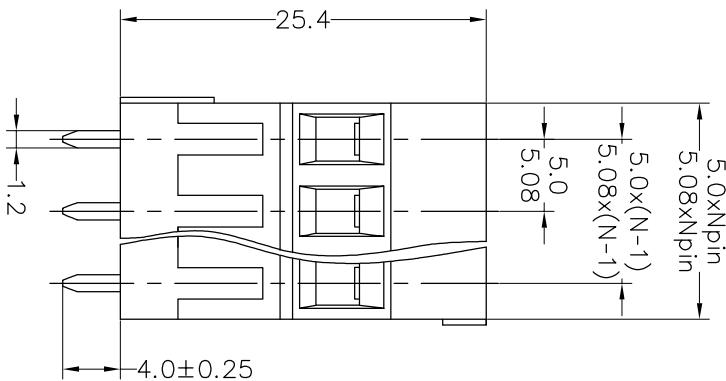
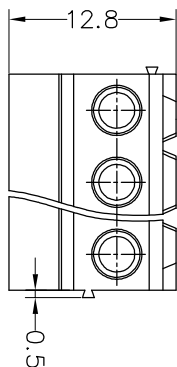
JL 500H - XXX XX X X 1

Pitch
500=5.0PH
508=5.08PH

No.of pins
2P,3P,4P~24P

Housing Color
B=Black
G=Green
U=Blue
R=Red
W=White
Y=Yellow
O=Orange
E=Grey

Packing
O=Pe bag
A=Tray



REV	DATE	MODIFICATION DESCRIPTION	CHANGE	OPERATION	DRAW	BEN	19.05.18	SCALE	FIT	PART NO.	TITLE:
A0	2019.05.18	NEW DRAWING		XX X.XX X:XXX Angle	CHECK			UNIT mm	A4	JL500H-XXXXXXXX1	
1				±0.30 ±0.20 ±0.10 ±3°	APPROVE			SIZE A4	1/1		
								SHEET			
								PROU.			

JILIN 深圳市锦凌电子有限公司
 SHENZHEN JINLING ELECTRONIC CO.,LTD
 Tel: 86-755-2997-5806/5802 Fax: 86-755-2997-5992

5.0/5.08mm Terminal Blocks Female