

**SPECIFICATIONS**

Rated(额定参数): 300V,8A  
 Dielectric strength(抗电强度): AC1500V/1 Minute  
 Insulation Resistance(绝缘电阻):1000MΩ Min  
 Contact Resistance(接触电阻):20mΩ Max  
 Screw Torque(扭矩): 0.2Nm (1.7Lb.in)  
 Wire Range(线径):1.6~28AWG  
 Strip length(剥线长度):6~7mm  
 Temp. range(操作温度):-40℃~+105℃  
 MAX Soldering(瞬时温度):+250℃,5s

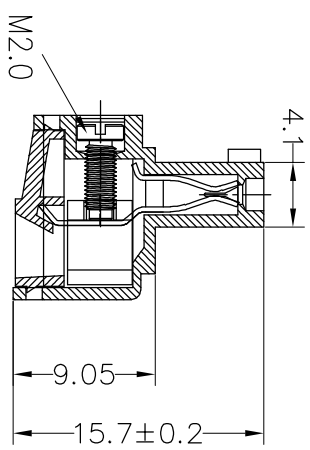
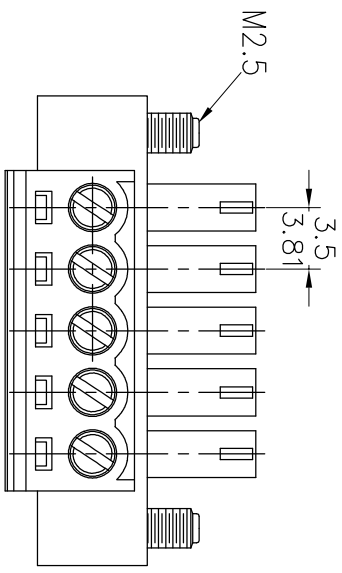
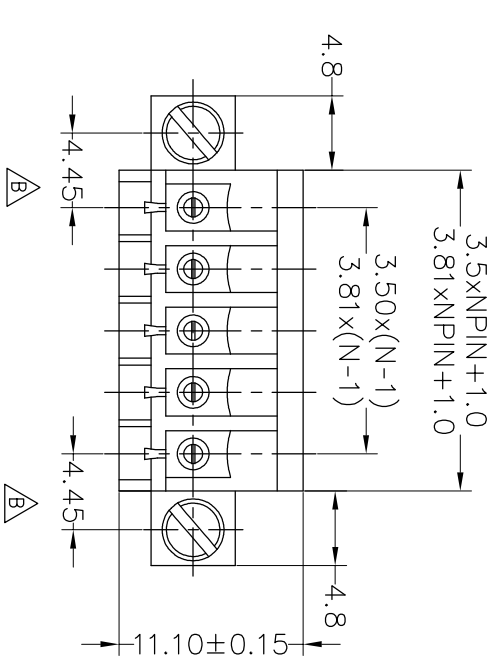
Housing Material(塑件): PA66 (UL94 V-0)  
 Contact(端子): Phosphor Bronze, Tin plating(磷铜镀锡)  
 Clamp(方块): Brass(黄铜), Ni plating(镀镍)  
 Screw (螺丝): M2.0/M2.5 Steel, Zinc plating(钢,镀锌)

PITCH RANGE	NOMINAL DIMENSION RANGE					
	IN MM		OVER		OVER	
TO 6	TO 10	TO 30	TO 60	TO 100	TO 150	OVER 150
±0.10	±0.15	±0.25	±0.30	±0.50	±0.70	±1.00

**Ordering Information**

JL15EDGKM-XXX XX G X 1

Pitch  
 350=3.5PH  
 381=3.81PH  
 No. of pins  
 2P,3P,4P~24P  
 Housing Color  
 B=Black  
 G=Green  
 U=Blue  
 R=Red  
 W=White  
 Y=Yellow  
 O=Orange  
 E=Grey  
 Packing  
 0=Pe bog  
 T=Tube  
 A=Troy



OPERATION		DRAW		BEN		SCALE		FIT		PART NO.	
XX	±0.30			17.08.07		mm	A4	1/1	JL15EDGKM-XXXXXXG1	深圳市锦凌电子有限公司	
X:XX	±0.20	CHECK								SHENZHEN JINLING ELECTRONIC CO.,LTD	
X:XXX	±0.10	APPROVE								Tel: 86-755-2997-5806/5802 Fax: 86-755-2997-5992	
Angle	±3°	PROU.								3.50/3.81 Pitch Female Pluggable Terminal Blocks	
DATE	MODIFICATION DESCRIPTION	CHANGE	DIM	TOL	APPROVE	PROU.	TITLE:				
1	2	3	4	5	6	7	8				