



**2-Electrodes Gas Discharge Tubes**

Model:JKS 8-2R  
Part Number:JKS 8-2R

**1 FEATURES**

- **RoHS** compliant
- Low capacitance can work well in high frequency GHz
- Low insertion loss
- Excellent response performance to fast rising transients

**2 APPLICATIONS**

- Broadband devices
- CATV and satellite equipment
- SPD and MDF module
- Base station and antenna
- xDSL equipment
- Power supply and RF systems

**3 MODEL AND ELECTRICAL PARAMETER @ T=25°C RH = 45%-75%**

Model	DC Breakdown	DC Breakdown	Impulse Breakdown	Impulse Discharge	Insulation Resistance		Capacitance
	Volts. 100V/S	n Volts. Tolerance	Volts. 1kV/μS	Current 8/20μS	≥GΩ	DC(V)	@1MHz
	V	±%	≤V	KA	≥GΩ	DC(V)	≤pF
JKS 8-2R75	75	±20%	650	10	>1000	25	<=1
JKS 8-2R90	90	±20%	650	10	>1000	50	<=1
JKS 8-2R150	150	±20%	650	10	>1000	50	<=1
JKS 8-2R230	230	±20%	700	10	>1000	100	<=1
JKS 8-2R350	350	±20%	800	10	>1000	100	<=1
JKS 8-2R470	470	±20%	950	10	>1000	100	<=1
JKS 8-2R600	600	±20%	1050	10	>1000	100	<=1
JKS 8-2R800	800	±20%	1050	10	>1000	100	<=1
JKS 8-2R1000	1000	±20%	2000	10	>1000	100	<=1
JKS 8-2R1500	1500	±20%	2500	10	>1000	100	<=1
JKS 8-2R2000	2000	±20%	3000	10	>1000	100	<=1
JKS 8-2R3000	3000	±20%	4000	10	>1000	100	<=1
JKS 8-2R3600	3600	±20%	5000	10	>1000	100	<=1

1/ DC Breakdown Voltage@100V/S at delivery AQL 0.65 level II, DIN ISO 2859 2) in accordance with ITU-T K.12 and DIN 57845/VDE0845, GB9043-2008.

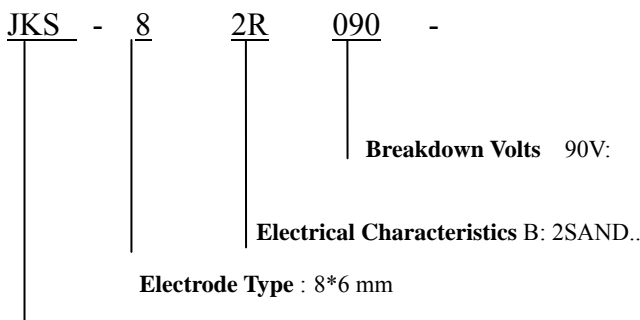
2/ Nominal impulse discharge current @8/20 μS, 5 times each polarity, single impulse discharge current @8/20μS, Maximum

3/ Weight ~0.20g

4/ Climatic category (IEC 60068-1) 40/90/21

5/ Operation and storage temperature -40~+90 °C

**4 ORDERING CODE SYSTEM**

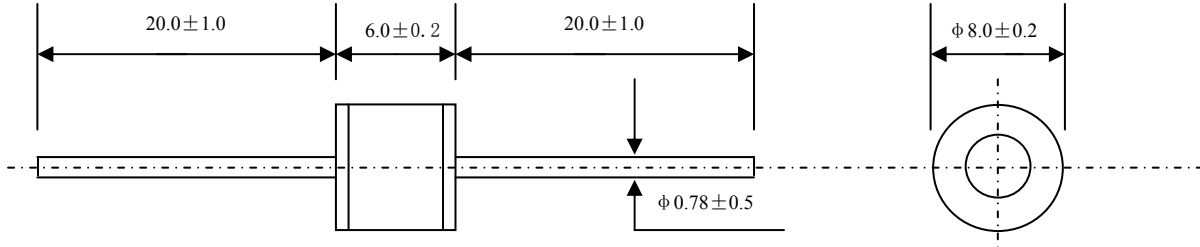




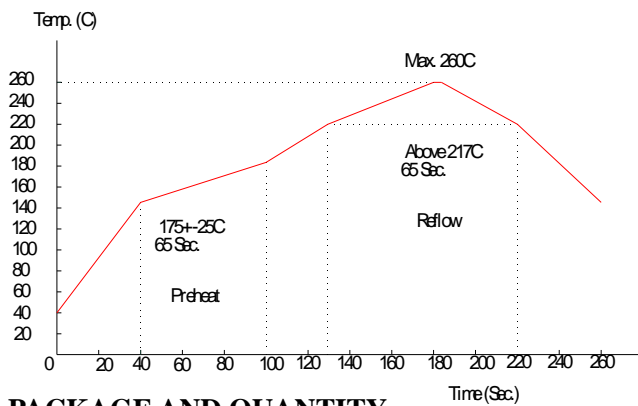
2-Electrodes Gas Discharge Tubes

Model:JKS 8-2R  
Part Number:JKS 8-2R

**5 COMPONENT SIZE AND CONSTRUCTION :** *Dimensions is in mm. Not to scale. Non-controlled files. ( mm )*



**6 RECOMENDED REFLOW PROFILE**



**7 PACKAGE AND QUANTITY**

Outline	Reel Diameters (mm)	QTY(PCS) Per Reel/Box	QTY(PCS) Per Carton
Taping	330	1,000	10,000