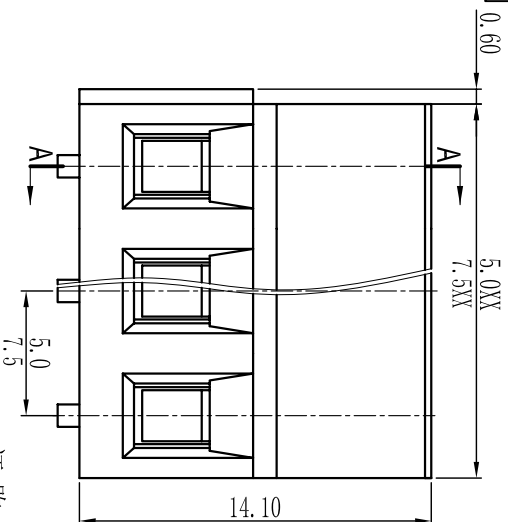
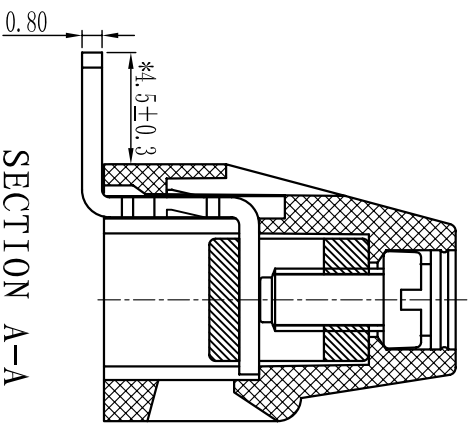
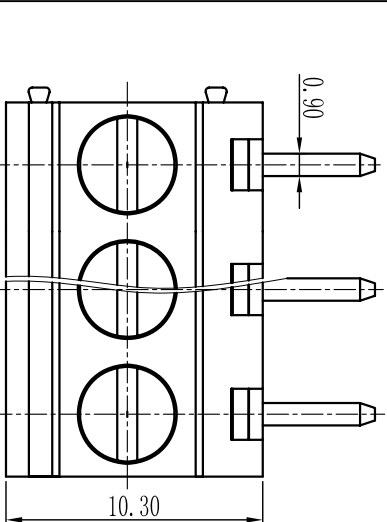
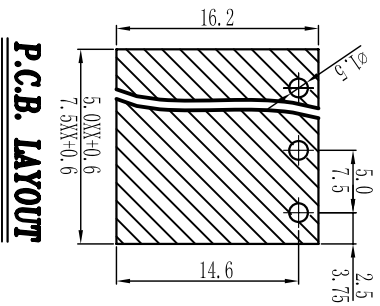


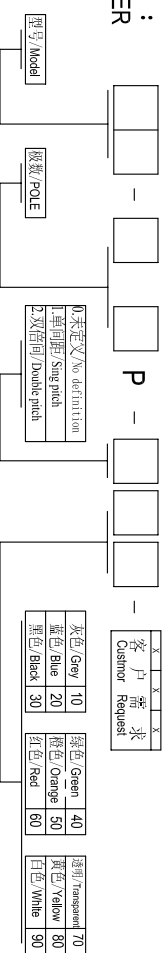


# Cixi Dibo Electronics Co., LTD

产品规格书  
THE SPEC SHEET



订购方式：  
HOW TO ORDER



**电气性能/Electrical**  
 参考标准/Standard: UL IEC  
 额定电压/Rated voltage: 300V 250V  
 额定电流/Rated current: 10A 18A  
 接触电阻/Contact resistance: 20mΩ  
 使用线径/Wire range: 22-12AWG 2.5mm<sup>2</sup>  
 耐电压/Withstanding voltage: AC2000V/Min  
 绝缘电阻/Insulation resistance: 500MΩ/DC500V

**机械性能/Mechanical**

温度范围/Temp.Range: -40°C+105°C  
 扭矩/Torque: 0.4Nm (3.54lb`in)

剥线长度/Strip length: 6-7mm

**尺寸/Dimensions**

间距/Pitch: 5.0mm/7.5mm

极数/Poles: 2P-24P

**材质及电镀/Material**

塑件/Housing: PA66, UL94V-0

螺丝/Screws: M2.5, steel Zinc plated

方块/Cage: Brass, Ni plated

焊脚/Pin header: Brass, Snle plated

	linear dimension/Tolerances Standard GB/T 14486-2008)												≡	—	□	//	⊥
variable range	over 6 to 6	over 10 to 10	over 18 to 18	over 30 to 30	over 50 to 50	over 80 to 80	over 120 to 120	over 160 to 160	over 200 to 200	over 250 to 250	all	5 to 5	over 5 to 30	over 30 to 120	over 120 to 120		
tolerance	±0.1	±0.14	±0.19	±0.25	±0.32	±0.43	±0.57	±0.72	±0.88	±1.05	±1.25	0.5	0.025	0.06	0.12	0.4	

单位/UNITS	mm	尺寸/SIZE	A4	比例/SCALE	比例
----------	----	---------	----	----------	----

第一视角/THIRD ANGLE PROJECTION

Cixi Dibo Electronics Co., LTD

名称/NAME DB128R-5.0/7.5