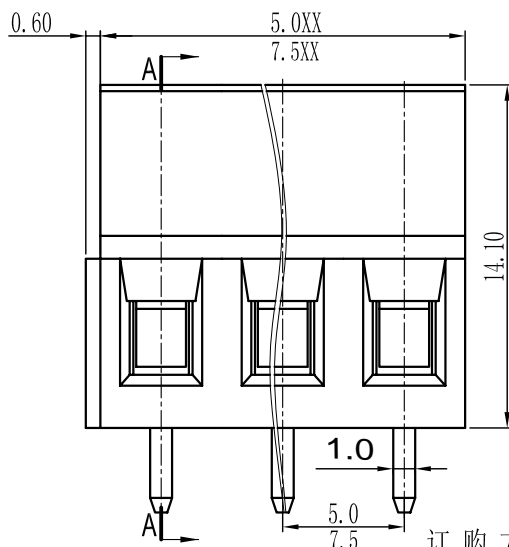
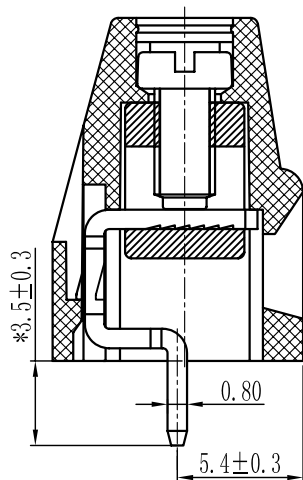
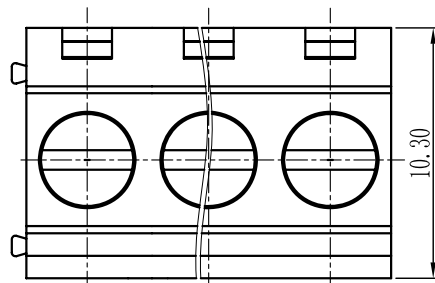
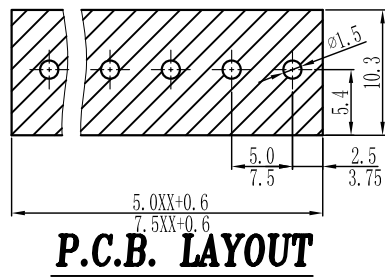




# Cixi Dibo Electronics Co.,LTD

产品规格书  
THE SPEC SHEET



订购方式：  
HOW TO ORDER

### 电气性能/Electrical

参考标准/Standard: UL IEC  
 额定电压/Rated voltage: 300V 250V  
 额定电流/Rated current: 10A 18A  
 接触电阻/Contact resistance: 20mΩ  
 使用线径/Wire range: 22-12AWG 2.5mm<sup>2</sup>  
 耐电压/Withstanding voltage: AC2000V/1Min  
 绝缘电阻/Insulation resistance: 500MΩ/DC500V

### 机械性能/Mechanical

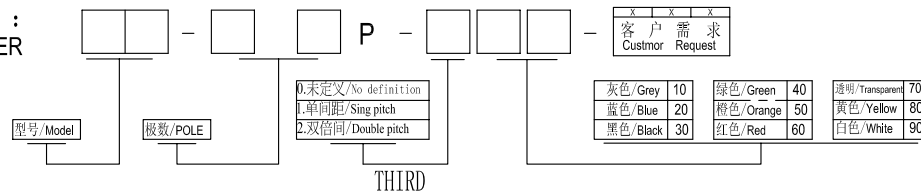
温度范围/Temp.Range: -40° C~+105° C  
 扭矩/Torque: 0.4Nm(3.54lb`in)  
 剥线长度/Strip length: 6-7mm

### 尺寸/Dimensions

间距/Pitch: 5.0mm,7.5mm  
 极数/Poles: 2P-24P

### 材质及电镀/Material

塑件/Housing: PA66,UL94V-0  
 螺丝/Screws: M2.5, steel Zinc plated  
 方块/Cage: Brass, Ni plated  
 焊脚/Pin header: Brass, Snle plated



linear dimension(Tolerances Standard GB/T 14486-2008)											≡	—	□	//	⊥	
variable range	to 6	over 6 to 10	over 10 to 18	over 18 to 30	over 30 to 50	over 50 to 80	over 80 to 120	over 120 to 160	over 160 to 200	over 200 to 250	all	to 5	over 5 to 30	over 30 to 120	over 120 to	
	tolerance	±0.1	±0.14	±0.19	±0.25	±0.32	±0.43	±0.57	±0.72	±0.88	±1.05	±1.25	0.5	0.025	0.06	0.12

单位/UNITS	mm	尺寸/SIZE	A4	比例/SCALE	比例	第一视角/THIRD ANGLE PROJECTION
Cixi Dibo Electronics Co.,LTD						名称/NAME
						DB128V-5.0/7.5