

Rapid Charge™ AC/DC Digital Quasi-Resonant PWM Controller

1 Description

The iW1782 is a high performance AC/DC power supply controller for rapid charge that uses digital control technology to build peak-current mode PWM flyback power supplies. The device operates in quasi-resonant mode to provide high efficiency and a number of key built-in protection features. The iW1782 can achieve tight multi-level constant voltage and multi-level constant current regulation without a traditional secondary-feedback circuit. It also eliminates the need for loop compensation components while maintaining stability over all operating conditions.

The iW1782 is optimized to work with Dialog's iW636 secondary-side controller for Qualcomm® Quick Charge™ 3.0 (QC3.0) technology, to achieve fast and smooth voltage transition upon request by mobile devices (MD). When paired with the iW636, the iW1782 eliminates the discrete decoders on the primary side, minimizes the external component count and simplifies system designs. The iW636 can communicate with the iW1782 through one opto-coupler for all the necessary rapid charge information including output voltage requests, output current limits, output voltage undershoot and output over-voltage.

Dialog's innovative proprietary technology ensures that power supplies designed with the iW636 and iW1782 can provide 5V/9V/12V output voltage configuration for QC2.0 and other proprietary protocols and 3.6V to 12V in 200mV increments for QC3.0, with user-selected various output current limit combinations. Furthermore, the chipset can achieve <10mW no-load power consumption at 5V/2A output setting and fast dynamic load response in typical AC/DC rapid charge adapter designs.

2 Features

- Supports rapid charge technologies such as Qualcomm® Quick Charge™ 3.0 (QC3.0) technology to provide 3.6V to 12V in 200mV increments with user-selected various output current limit combinations
- Proprietary secondary-to-primary digital communication and built-in decoder eliminate discrete decoder and significantly simplify system design
- Single opto-coupler for all the rapid charge information: output voltage request, output current limit, output voltage undershoot, and over-voltage protection
- Tight multi-level constant-voltage and multi-level constant-current regulation with primary-side feedback and control
- Ultra-low no-load power consumption with lowest system cost (<10mW at 230V_{AC} with typical 5V/2A setting using Schottky diode rectifier; <20mW at 230V_{AC} with typical 5V/2A setting using synchronous rectifier)
- Fast dynamic load response (DLR) with secondary-side load transient detection
- Proprietary optimized load adaptive maximum constant frequency PWM switching with quasi-resonant operation achieves best size, efficiency, and common mode noise
- Multi-mode PWM/PFM control improves efficiency at various load conditions
- User-configurable 4-level cable drop compensation independent of output voltage
- **EZ-EMI**® design enhances manufacturability
- Built-in single-point fault protections against output short-circuit including soft short and half short, output over-voltage, and output over-current
- **SmartDefender**™ smart hiccup technology helps address issues of soft shorts in cables and connectors by effectively reducing the average output power at fault conditions without latch
- User-configurable external shutdown control
- No audible noise over entire operating range

3 Applications

- Rapid-charging AC/DC adapters for smart phones, tablets and other portable devices (3.6V-12V, 1A-3A).



Qualcomm® Quick Charge™ 3.0 is a product of Qualcomm Technologies, Inc.

Rapid Charge™ AC/DC Digital Quasi-Resonant PWM Controller

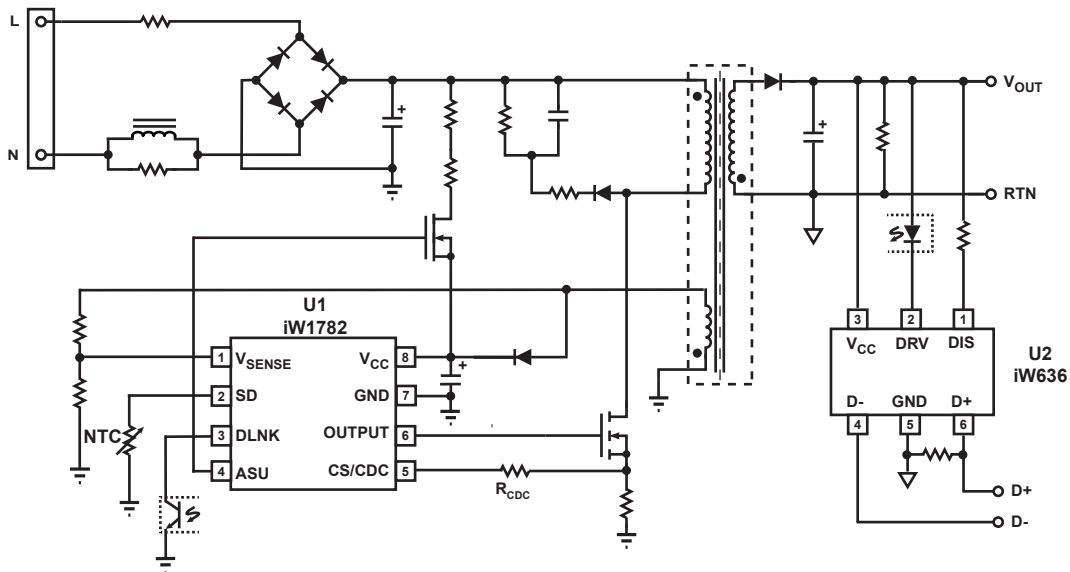


Figure 3.1 : iW1782 Typical Application Circuit for Multi-Level Output Voltage and Current (Using iW636 as Secondary-Side Controller for QC3.0. Achieving < 10mW No-Load Power Consumption in Typical 15W Design)

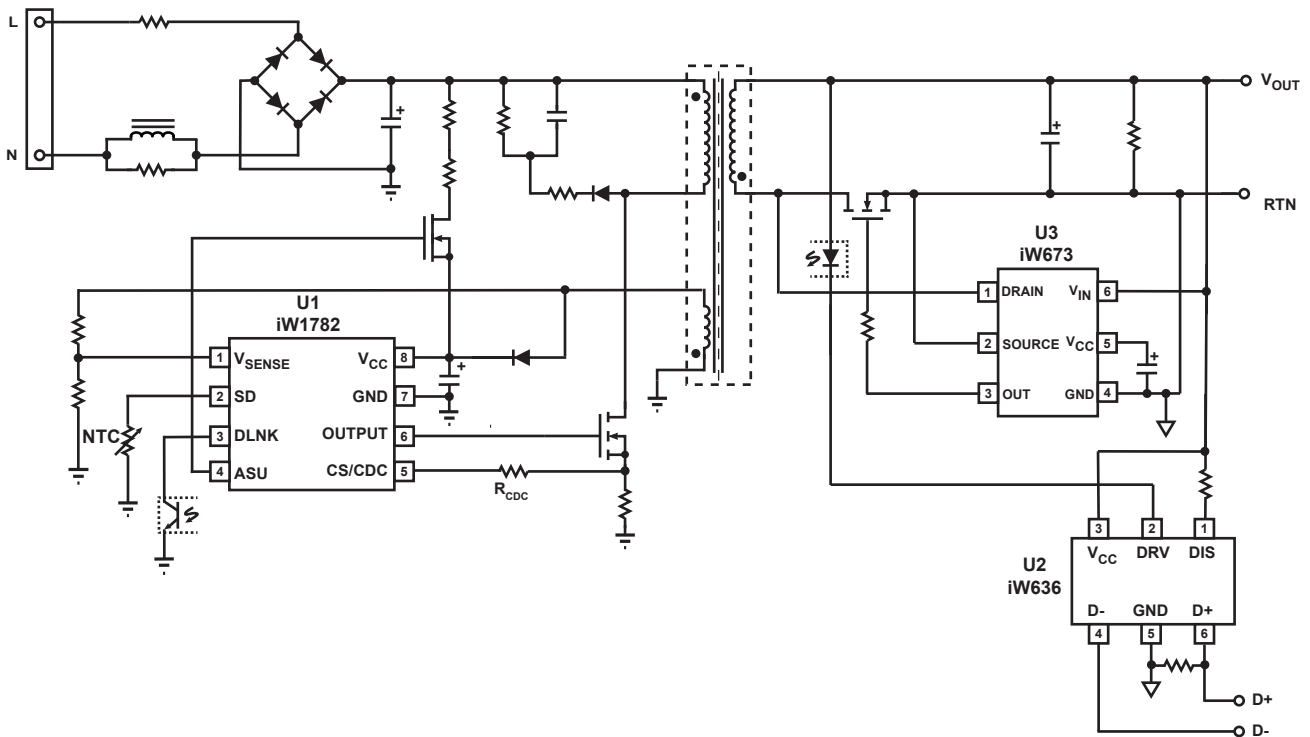


Figure 3.2 : iW1782 Typical Application Circuit for Multi-Level Output Voltage and Current (Using iW636 as Secondary-Side Controller for QC3.0 and iW673 as Synchronous Rectifier Controller Achieving < 20mW No-Load Power Consumption in Typical 15W Design)

Rapid Charge™ AC/DC Digital Quasi-Resonant PWM Controller

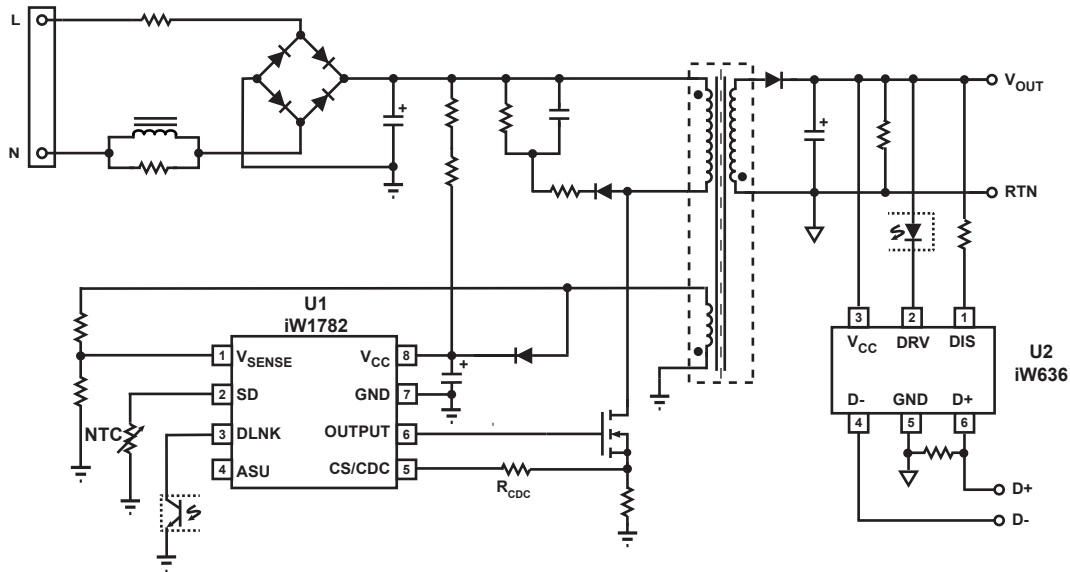
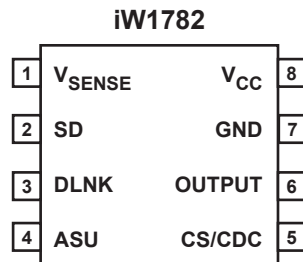


Figure 3.3 : iW1782 Typical Low Cost Application Circuit for Multi-Level Output Voltage and Current (Using iW636 as Secondary-Side Controller for QC3.0. Achieving < 50mW No-Load Power Consumption Without Using Active Start-up Device)

4 Pinout Description



Pin Number	Pin Name	Type	Pin Description
1	V _{SENSE}	Analog Input	Auxiliary voltage sense. Used for primary-side regulation.
2	SD	Analog Input	External shutdown control. Can be configured for external over-temperature protection (OTP) by connecting an NTC resistor from this pin to Ground.
3	DLNK	Analog Input	Digital communication link signal. Used for secondary-side to primary-side communication for all rapid change information, which includes output voltage requests, output current limits, output voltage undershoot, and over-voltage protection.
4	ASU	Output	Control signal. Used for active start-up device (BJT or depletion mode N-FET).
5	CS/CDC	Analog Input	Primary-side current sense and external cable drop compensation (CDC). Used for cycle-by-cycle peak-current control and limit in primary-side CV/CC regulation. Also used for CDC configuration.
6	OUTPUT	Output	Gate drive for external MOSFET switch.
7	GND	Ground	Ground
8	V _{CC}	Power Input	IC power supply.

Rapid Charge™ AC/DC Digital Quasi-Resonant PWM Controller

5 Absolute Maximum Ratings

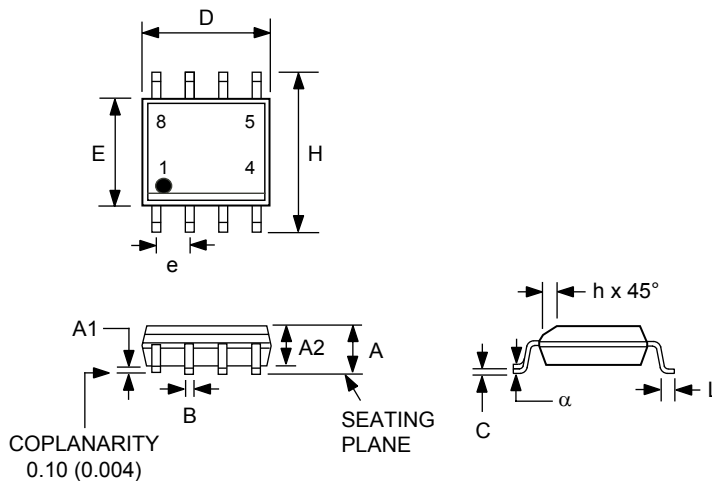
Absolute maximum ratings are the parameter values or ranges which can cause permanent damage if exceeded. For maximum safe operating conditions, refer to the iW1782 datasheet.

Parameter	Symbol	Value	Units
DC supply voltage range (pin 8, $I_{CC} = 20\text{mA max}$)	V_{CC}	-0.3 to 25.0	V
Continuous DC supply current at V_{CC} pin ($V_{CC} = 15\text{V}$)	I_{CC}	20	mA
ASU output (pin 4)		-0.3 to 19.0	V
OUTPUT (pin 6)		-0.3 to 20.0	V
V_{SENSE} input (pin 1, $I_{Vsense} \leq 10\text{mA}$)		-0.7 to 10.0	V
CS/CDC input (pin 5)		-0.3 to 4.0	V
SD (pin 2)		-0.3 to 4.0	V
DLNK (pin 3)		-0.3 to 4.0	V
Maximum junction temperature	T_{JMAX}	150	°C
Operating junction temperature	T_{JOPT}	-40 to 150	°C
Storage temperature	T_{STG}	-65 to 150	°C
Thermal resistance junction-to-ambient	θ_{JA}	160	°C/W
ESD rating per JEDEC JESD22-A114		±2,000	V
Latch-up test per JESD78A		±100	mA

Rapid Charge™ AC/DC Digital Quasi-Resonant PWM Controller

6 Physical Dimensions

8-Lead Small Outline (SOIC) Package



Symbol	Inches		Millimeters	
	MIN	MAX	MIN	MAX
A	0.053	0.069	1.35	1.75
A1	0.0040	0.010	0.10	0.25
A2	0.049	0.059	1.25	1.50
B	0.014	0.019	0.35	0.49
C	0.007	0.010	0.19	0.25
D	0.189	0.197	4.80	5.00
E	0.150	0.157	3.80	4.00
e	0.050 BSC		1.27 BSC	
H	0.228	0.244	5.80	6.20
h	0.10	0.020	0.25	0.50
L	0.016	0.049	0.4	1.25
α	0°	8°		

Compliant to JEDEC Standard MS12F

Controlling dimensions are in inches; millimeter dimensions are for reference only

This product is RoHS compliant and Halide free.

Soldering Temperature Resistance:

[a] Package is IPC/JEDEC Std 020D moisture sensitivity level 1

[b] Package exceeds JEDEC Std No. 22-A111 for solder immersion resistance; package can withstand 10 s immersion < 260°C

Dimension D does not include mold flash, protrusions or gate burrs. Mold flash, protrusions or gate burrs shall not exceed 0.15 mm per end. Dimension E1 does not include interlead flash or protrusion. Interlead flash or protrusion shall not exceed 0.25 mm per side.

The package top may be smaller than the package bottom. Dimensions D and E1 are determined at the outermost extremes of the plastic body exclusive of mold flash, tie bar burrs, gate burrs and interlead flash, but including any mismatch between the top and bottom of the plastic body.

7 Ordering Information

Part Number	Options					Package	Description
	Protocol Supported	Default k_{CC} at Start-up	CC Shutdown Voltage at 5V Output ¹	Rated Max Current at PE+ Mode	Rated Max Power at PE+ Mode		
iW1782-00	QC3.0/PE+	0.422	3V	1.67A	15W	SOIC-8	Tape & Reel ²
iW1782-01	QC3.0/PE+	0.5	3V	3A	18W	SOIC-8	Tape & Reel ²
iW1782-03	QC3.0/PE+	0.5	No CC operation and latch	2.5A	15W	SOIC-8	Tape & Reel ²
iW1782-05	QC3.0/PE+	0.5	3V	3A	24W	SOIC-8	Tape & Reel ²
iW1782-07	QC3.0	0.422	3.5V	NA	NA	SOIC-8	Tape & Reel ²
iW1782-19	PE+	0.422	3V	2A	18W	SOIC-8	Tape & Reel ²

Note 1: Unless specified, the default CC shutdown voltages are 6.5V for 9V V_{OUT} and 10V for 12V V_{OUT} .

Note 2: Tape & Reel packing quantity is 2,500/reel. Minimum ordering quantity is 2,500.

Rapid Charge™ AC/DC Digital Quasi-Resonant PWM Controller

Disclaimer

Information in this document is believed to be accurate and reliable. However, Dialog Semiconductor does not give any representations or warranties, expressed or implied, as to the accuracy or completeness of such information. Dialog Semiconductor furthermore takes no responsibility whatsoever for the content in this document if provided by any information source outside of Dialog Semiconductor.

Dialog Semiconductor reserves the right to change without notice the information published in this document, including without limitation the specification and the design of the related semiconductor products, software and applications.

Applications, software, and semiconductor products described in this document are for illustrative purposes only. Dialog Semiconductor makes no representation or warranty that such applications, software and semiconductor products will be suitable for the specified use without further testing or modification. Unless otherwise agreed in writing, such testing or modification is the sole responsibility of the customer and Dialog Semiconductor excludes all liability in this respect.

Customer notes that nothing in this document may be construed as a license for customer to use the Dialog Semiconductor products, software and applications referred to in this document. Such license must be separately sought by customer with Dialog Semiconductor.

All use of Dialog Semiconductor products, software and applications referred to in this document are subject to [Dialog Semiconductor's Standard Terms and Conditions of Sale](#), available on the company website (www.dialog-semiconductor.com) unless otherwise stated.

Dialog and the Dialog logo are trademarks of Dialog Semiconductor plc or its subsidiaries. All other product or service names are the property of their respective owners.

Qualcomm is a trademark of Qualcomm Incorporated, registered in the United States and other countries. Qualcomm Quick Charge is a trademark of Qualcomm Incorporated. All Qualcomm Incorporated marks are used with permission.

© 2017 Dialog Semiconductor. All rights reserved.

RoHS Compliance

Dialog Semiconductor's suppliers certify that its products are in compliance with the requirements of Directive 2011/65/EU of the European Parliament on the restriction of the use of certain hazardous substances in electrical and electronic equipment. RoHS certificates from our suppliers are available on request.

Contacting Dialog Semiconductor

United Kingdom (Headquarters)
Dialog Semiconductor (UK) LTD
Phone: +44 1793 757700

Germany
Dialog Semiconductor GmbH
Phone: +49 7021 805-0

The Netherlands
Dialog Semiconductor B.V.
Phone: +31 73 640 8822

Email
info_pcbg@diasemi.com

North America
Dialog Semiconductor Inc.
Phone: +1 408 845 8500

Japan
Dialog Semiconductor K. K.
Phone: +81 3 5425 4567

Taiwan
Dialog Semiconductor Taiwan
Phone: +886 281 786 222

Web site:
www.dialog-semiconductor.com

Singapore
Dialog Semiconductor Singapore
Phone: +65 64 8499 29

Hong Kong
Dialog Semiconductor Hong Kong
Phone: +852 3769 5200

Korea
Dialog Semiconductor Korea
Phone: +82 2 3469 8200

China (Shenzhen)
Dialog Semiconductor China
Phone: +86 755 2981 3669

China (Shanghai)
Dialog Semiconductor China
Phone: +86 21 5424 9058