

Digital Green-Mode Synchronous Rectifier Controller

1.0 Features

- Digital adaptive turn-off control minimizes deadtime and eliminates the parallel Schottky diode
- Integrated pulse linear regulator (PLR) allows SR operation at low system output voltage down to 2V in typical 5V, 2.5A USB charger applications
- Wide input operating voltage up to 30V
- Optimized 5V MOSFET gate driver
- Intelligent low power management achieves ultra-low no-load operating current < 0.65mA
- Lossless MOSFET V_{DS} sensing for SR timing control
- 8-pin SOIC and 8-pin MSOP packages

2.0 Description

The iW671 is a high performance synchronous rectifier controller with an integrated MOSFET driver for flyback converters operating at discontinuous conduction mode. Combined with the MOSFET, the iW671 can emulate the diode rectifier at the secondary side of the flyback to reduce conduction loss. The iW671 determines the timing of the driver by sensing the voltage across the $R_{DS(ON)}$ to achieve lossless sensing. The iW671 uses proprietary digital adaptive turn-off control technology to minimize the turn-off deadtime of the synchronous rectifier so that the parallel Schottky diode required by conventional synchronous rectifiers can be eliminated. The integrated driver has strong driving capability for high efficiency. The operating power consumption of the controller excluding the driver is less than 4mW at no load to achieve the ultra-low no-load power consumption for 5V applications. The iW671 integrates a pulse linear regulator to maintain the operation of the synchronous rectifier at low system output voltage when the system is operating in constant current (CC) mode.

The iW671 also integrates the adaptive voltage position monitor to detect the flyback converter output voltage undershoot, enabling faster recovery from standby. Dialog's iW1786 and iW1787 primary-side controllers are optimized to work with the iW671 for very low output ripple, fast dynamic load response (DLR), and very low no-load power consumption (< 15mW) at 230V_{AC} input in a typical 5V, 2.5A power supply.

3.0 Applications

- Compact AC/DC adapters/chargers for media tablets

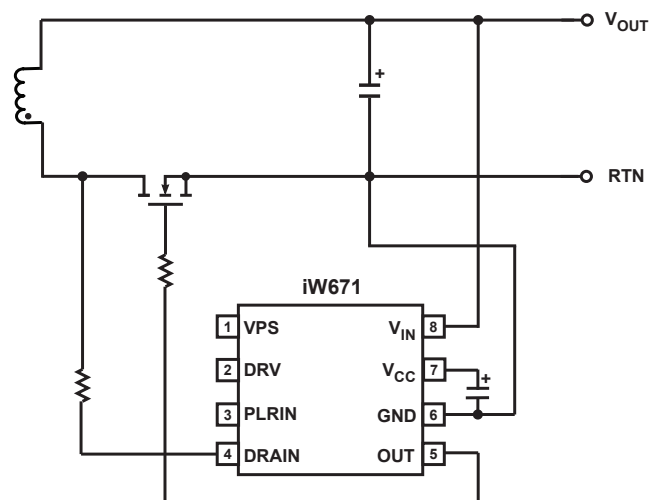


Figure 3.1: iW671 Typical Application Circuit

Digital Green-Mode Synchronous Rectifier Controller

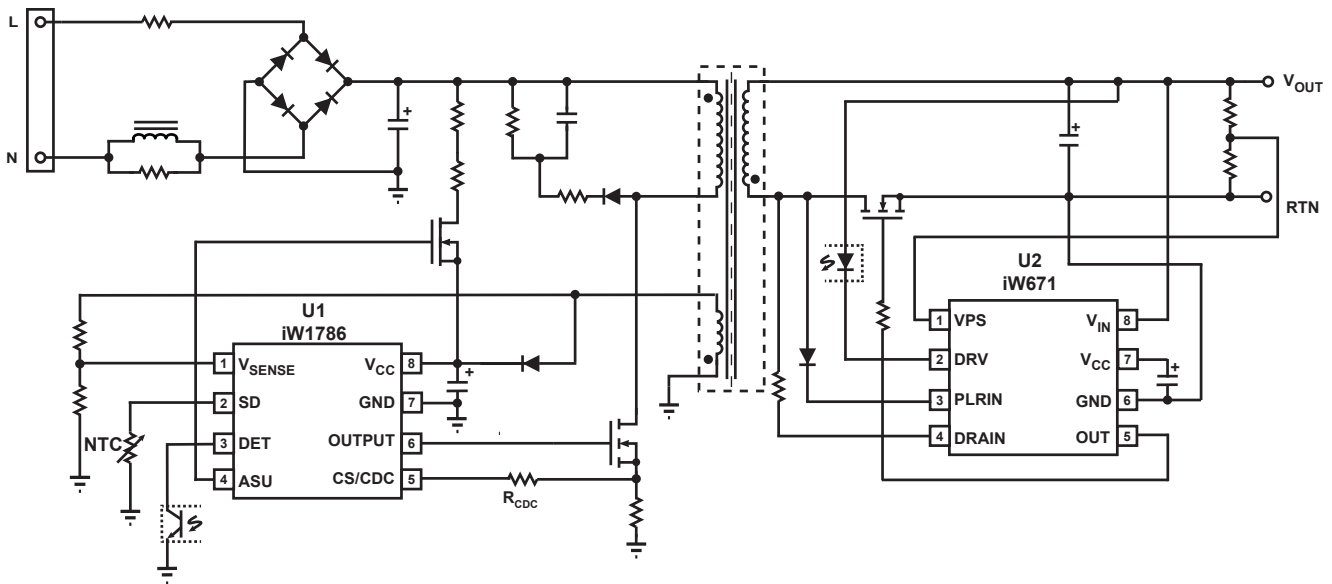


Figure 3.2: iW671 Typical Application Circuit (Using iW1786 as Primary-Side Controller)
 (Achieving < 15mW No-Load Power Consumption in 5V, 2.5A Adapter Designs with Fast Dynamic Load Response, and Supporting Constant Current Operation down to 2V System Output)

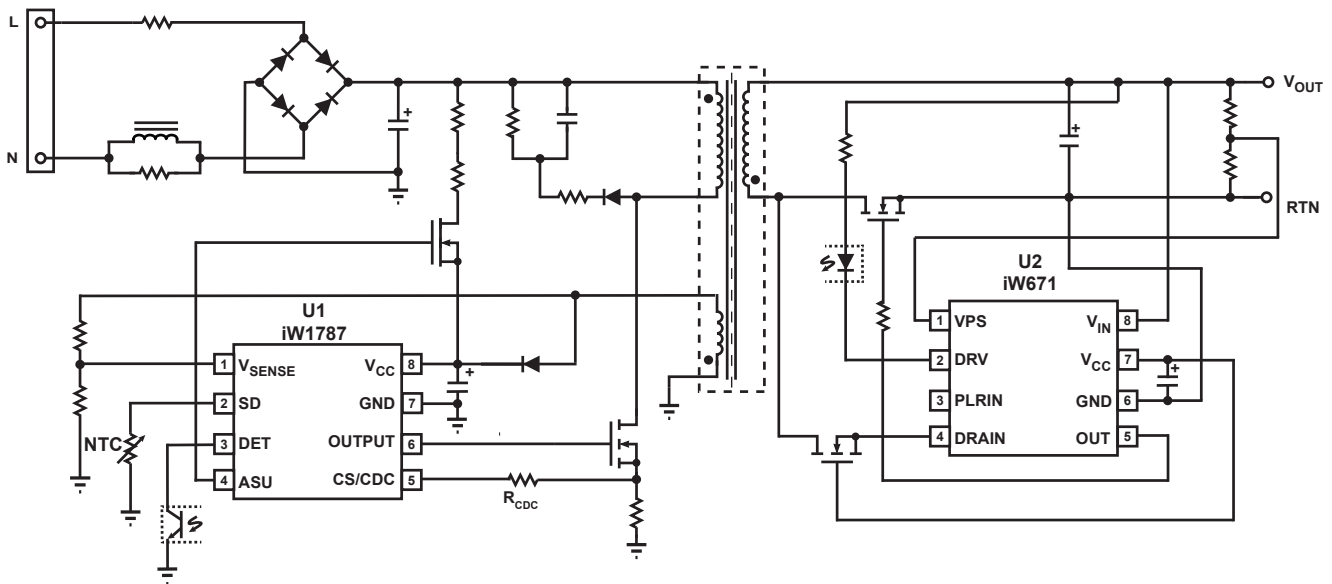


Figure 3.3: iW671 Typical Application Circuit for 12V-Output Application
 (Using iW1787 as Primary-Side Sensing Flyback Controller with the PLRIN Pin Floating)

Digital Green-Mode Synchronous Rectifier Controller

4.0 Pinout Description

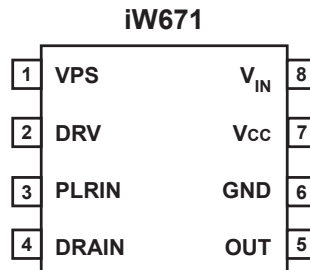


Figure 4.1: 8-Pin SOIC/MSOP Package

Pin #	Name	Type	Pin Description
1	VPS	Analog Input	Voltage position sense. Power supply output voltage information to be compared with the internal reference voltage.
2	DRV	Analog Output	External circuit drive. It drives an external circuit such as the opto-coupler LED.
3	PLRIN	Power Input	Pulse linear regulator (PLR) input. Connect this pin through a diode (cathode to the pin) to the drain of the synchronous rectifier MOSFET.
4	DRAIN	Analog Input	Synchronous rectifier MOSFET drain voltage sensing.
5	OUT	Output	Synchronous rectifier MOSFET driver.
6	GND	Ground	Ground.
7	V _{CC}	Power Input	Output of internal LDO and PLR. It provides bias voltage for the internal logic circuit and the MOSFET driver. Connect this pin to a capacitor.
8	V _{IN}	Power Input	Connect to adapter/charger output for bias voltage. The internal LDO clamps the V _{CC} voltage at 5V when V _{IN} > 5V. The V _{IN} is also the input for the PLR enable comparator and the SR enable comparator.

Digital Green-Mode Synchronous Rectifier Controller

5.0 Absolute Maximum Ratings

Absolute maximum ratings are the parameter values or ranges that can cause permanent damage if exceeded. For maximum safe operating conditions, refer to Electrical Characteristics in Section 6.0.

Parameter	Symbol	Value	Units
V_{IN} DC supply voltage range (pin 8, $I_{CC} = 15\text{mA}$ max)	V_{IN}	-0.3 to 33	V
Continuous DC supply current at V_{IN} pin ($V_{IN} = 30\text{V}$)	I_{VO}	15	mA
Continuous DC supply current at V_{CC} pin ($V_{CC} = 5.5\text{V}$)	I_{VCC}	15	mA
Gate peak output current	I_G	± 3	A
DRAIN pin voltage	V_D	-1.5 to 60	V
PLRIN pin voltage	V_{PLRIN}	-1.5 to 60	V
PLRIN peak input current	I_{PLRIN_LR}	500	mA
V_{CC} pin voltage	V_{CC}	6	V
DRV pin voltage		-0.3 to 33	V
DRV pin current range (continuous)		15	mA
VPS pin voltage		-0.3 to V_{CC}	V
VPS pin current rating		1	mA
Junction temperature	T_J	-40 to 150	$^{\circ}\text{C}$
Storage temperature		-65 to 150	$^{\circ}\text{C}$
Thermal Resistance Junction-to-Ambient (SOIC-8 package)	θ_{JA_SO8}	160	$^{\circ}\text{C}/\text{W}$
Thermal Resistance Junction-to-Ambient (MSOP package)	θ_{JA_MSOP}	TBD	$^{\circ}\text{C}/\text{W}$
ESD rating per JEDEC JESD22-A114		2,000	V

Digital Green-Mode Synchronous Rectifier Controller

6.0 Physical Dimensions

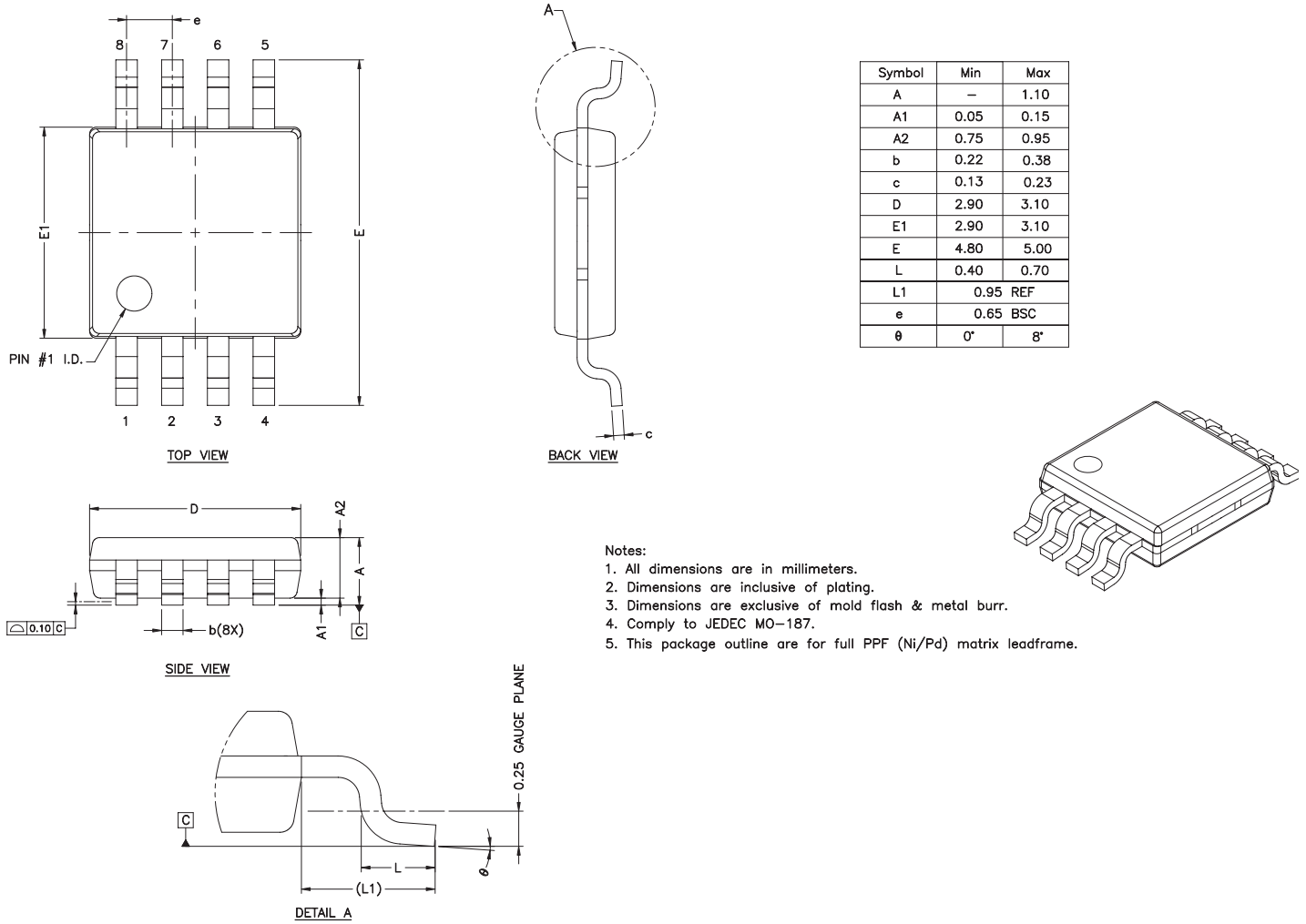
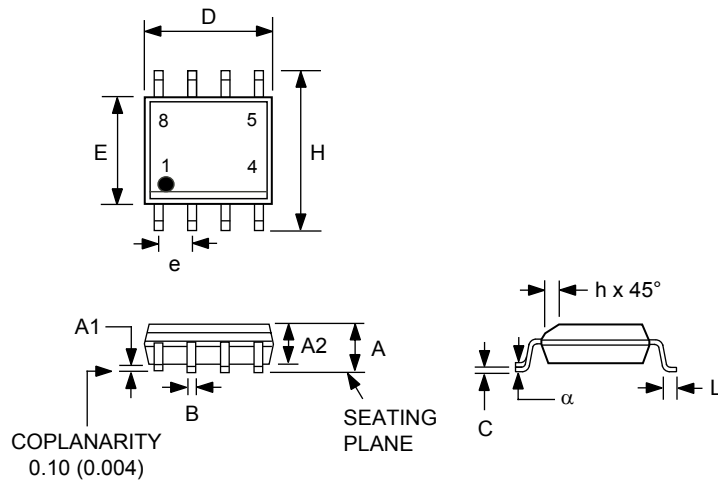


Figure 6.1 : Physical Dimensions of 8-pin MSOP Package

Digital Green-Mode Synchronous Rectifier Controller

8-Lead Small Outline (SOIC) Package



Symbol	Inches		Millimeters	
	MIN	MAX	MIN	MAX
A	0.053	0.069	1.35	1.75
A1	0.0040	0.010	0.10	0.25
A2	0.049	0.059	1.25	1.50
B	0.014	0.019	0.35	0.49
C	0.007	0.010	0.19	0.25
D	0.189	0.197	4.80	5.00
E	0.150	0.157	3.80	4.00
e	0.050 BSC		1.27 BSC	
H	0.228	0.244	5.80	6.20
h	0.10	0.020	0.25	0.50
L	0.016	0.049	0.4	1.25
α	0°	8°		

Compliant to JEDEC Standard MS12F

Controlling dimensions are in inches; millimeter dimensions are for reference only

This product is RoHS compliant and Halide free.

Soldering Temperature Resistance:

[a] Package is IPC/JEDEC Std 020D moisture sensitivity level 1

[b] Package exceeds JEDEC Std No. 22-A111 for solder immersion resistance; package can withstand 10 s immersion < 260° C

Dimension D does not include mold flash, protrusions or gate burrs. Mold flash, protrusions or gate burrs shall not exceed 0.15 mm per end. Dimension E1 does not include interlead flash or protrusion. Interlead flash or protrusion shall not exceed 0.25 mm per side.

The package top may be smaller than the package bottom. Dimensions D and E1 are determined at the outermost extremes of the plastic body exclusive of mold flash, tie bar burrs, gate burrs and interlead flash, but including any mismatch between the top and bottom of the plastic body.

Figure 6.2 : Physical Dimensions of 8-pin SOIC Package

7.0 Ordering Information

Part Number	Options	Package	Description
iW671-00-SO8	N/A	SOIC, 8 pin	Tape & Reel ¹
iW671-00-MSO8	N/A	MSOP, 8 pin	Tape & Reel ¹

Note 1: Tape & Reel packing quantity is 2,500/reel. Minimum ordering quantity is 2,500.

Digital Green-Mode Synchronous Rectifier Controller

Disclaimer

Information in this document is believed to be accurate and reliable. However, Dialog Semiconductor does not give any representations or warranties, expressed or implied, as to the accuracy or completeness of such information. Dialog Semiconductor furthermore takes no responsibility whatsoever for the content in this document if provided by any information source outside of Dialog Semiconductor.

Dialog Semiconductor reserves the right to change without notice the information published in this document, including without limitation the specification and the design of the related semiconductor products, software and applications.

Applications, software, and semiconductor products described in this document are for illustrative purposes only. Dialog Semiconductor makes no representation or warranty that such applications, software and semiconductor products will be suitable for the specified use without further testing or modification. Unless otherwise agreed in writing, such testing or modification is the sole responsibility of the customer and Dialog Semiconductor excludes all liability in this respect.

Customer notes that nothing in this document may be construed as a license for customer to use the Dialog Semiconductor products, software and applications referred to in this document. Such license must be separately sought by customer with Dialog Semiconductor.

All use of Dialog Semiconductor products, software and applications referred to in this document are subject to Dialog Semiconductor's [Standard Terms and Conditions of Sale](#), unless otherwise stated.

© Dialog Semiconductor (UK) Ltd. All rights reserved.

RoHS compliance

Dialog Semiconductor complies to European Directive 2001/95/EC and from 2 January 2013 onwards to European Directive 2011/65/EU concerning Restriction of Hazardous Substances (RoHS/RoHS2).

Dialog Semiconductor's statement on RoHS can be found on the customer portal <https://support.diasemi.com/>. RoHS certificates from our suppliers are available on request.

Contacting Dialog Semiconductor

United Kingdom

Dialog Semiconductor (UK) Ltd
Phone: +44 1793 757700

Germany

Dialog Semiconductor GmbH
Phone: +49 7021 805-0

The Netherlands

Dialog Semiconductor B.V.
Phone: +31 73 640 88 22

Email

info_pcbg@diasemi.com

North America

Dialog Semiconductor Inc.
Phone: +1 408 845 8500

Japan

Dialog Semiconductor K. K.
Phone: +81 3 5425 4567

Taiwan

Dialog Semiconductor Taiwan
Phone: +886 281 786 222

Web site:

www.dialog-semiconductor.com

Singapore

Dialog Semiconductor Singapore
Phone: +65 648 499 29

Hong Kong

Dialog Semiconductor Hong Kong
Phone: +852 3769 5200

Korea

Dialog Semiconductor Korea
Phone: +82 2 3469 8200

China

*Dialog Semiconductor
(Shenzhen)*
Phone: +86 755 2981 3669

*Dialog Semiconductor
(Shanghai)*
Phone: +86 21 5424 9058