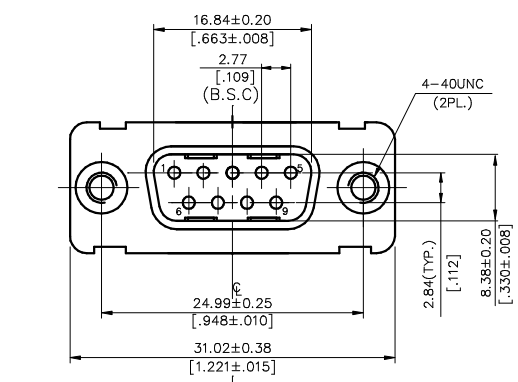


REV	ECN NO.	APPD
X1		Corel



DT00151-H1A2-4F

VERTICAL ANGLE
 MALE
 1=9Pos.
 BODY LENGTH

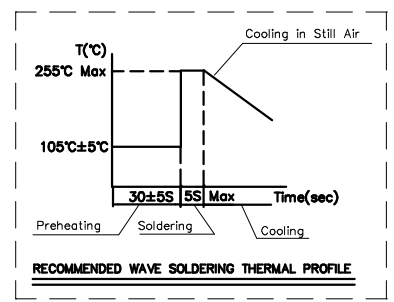
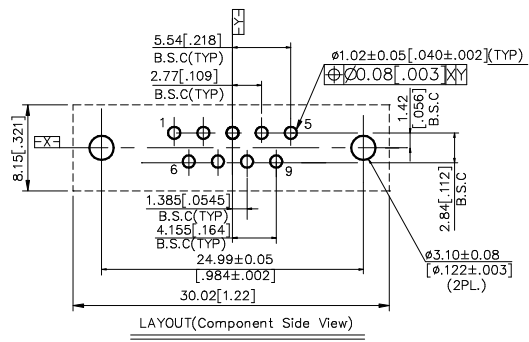
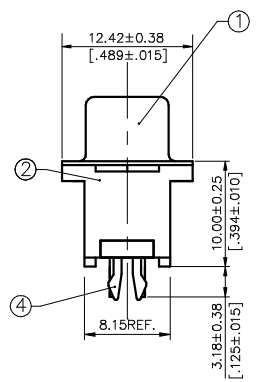
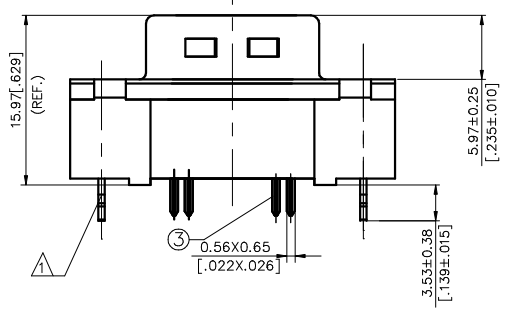
LEAD FREE
 EXTEND CODE
 CONTACT GOLD PLATING AREA:
 1=GOLD FLASH

NOTES:

△RECOMMENDED P.C.B. THICKNESS 1.57±0.05[.062±.002]

2. SPECIFICATION:
 2-1.ELECTRICAL CHARACTERISTICS:
 2-1-1.CONTACT CURRENT RATING: 3 AMPERES .
 2-1-2.CONTACT RESISTANCE: 35 milliohms(MAX.).
 2-1-3.INSULATION RESISTANCE: 5000 Megohms (MIN).
 2-1-4.DIELECTRIC WITHSTANDING VOLTAGE:1000 VAC (MIN).AT SEA LEVEL.

2-2.MECHANICAL CHARACTERISTICS
 2-2-1.CONTACT RETENTION FORCE: 0.91KGF(MIN.).
 2-2-2.DURABILITY: 500 CYCLES.
 2-2-3.ENDURANT TWISTING FORCE OF SCREW:5.77KGF*CM (MAX).
 2-3.ENVIRONMENT CHARACTERISTICS
 2-3-1.OPERATING TEMPERATURE:-55 °C TO +105 °C
 2-3-2. "RoHS" COMPLIANT.



4	BOARD LOCK	2	STEEL	TIN PLATED	
3	CONTACT	9	BRASS	GOLD PLATING AT CONTACT AREA, 100-200u" TIN PLATING AT TAIL, 50u" UNDER PLATING NICKEL OVERALL.	
2	HOUSING	1	THERMOPLASTIC UL 94V-0	MOLDED BLACK	
1	SHELL	1	STEEL	TIN PLATED	
ITEM	DESC.	Q'TY	MATERIAL	TREATMENT	REMARK

X.±	X°.±	UNITS	NAME(INTENDED USE)	FOXCONN HON HAI PRECISION IND. CO.,LTD. TAIPEI, TAIWAN, R.O.C.
.X±	.X°.±	[MM] [INCH]	CUSTOMER	
.XX± ^{0.25} [.010]	.XX°.±	MAT'L	PART NO.(INTENDED USE)	TITLE: DT SERIES MALE HIGT-PROFILE
.XXX±	.XXX°.±	N/A	DT0015*-H1A2-4F	DWG NO.: 301-0000-****
THESE DRAWINGS AND SPECIFICATIONS ARE THE PROPERTY OF HON HAI PRECISION IND. CO., L.T.D. AND SHALL NOT BE REPRODUCED, COPIED OR USED IN ANY MANNER WITHOUT THE PRIOR WRITTEN CONSENT OF HON HAI PRECISION IND. CO., LTD.		FINISH	APPD: Corel Zhu 5/08'07	CHKD: X.H. Xiang 5/08'07 DR: Wan Wei 5/08'07
		N/A	Q'TY	
		N/A	SCALE SHEET REV. 1:1 1/1 X1	