

Ordering Information:

A2501WV-XP - * - **
 1 2 3

1.Part No.

2.Style:

(blank)-Type 1

2-Type 2

3.Color:

(blank):White

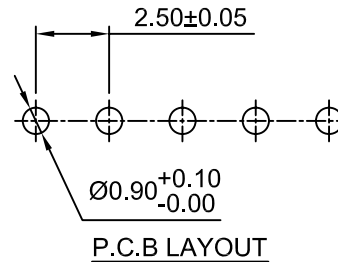
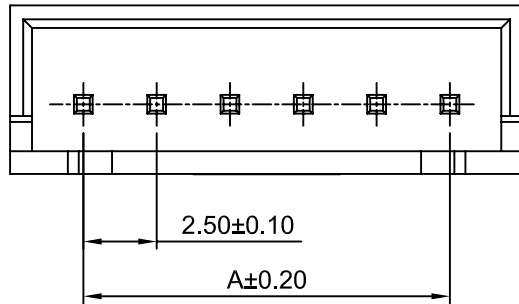
YL:Yellow

BK:Black

BL:Blue

RD:Red

GN:Green



SPECIFICATIONS:

Current Rating: 3A AC,DC

Voltage Rating: 250V AC,DC

Temperature Range: -40°C ~ +105°C

Contact Resistance: 10mΩ Max

Insulation Resistance: 1000MΩ Min

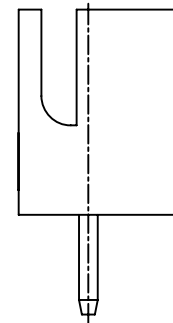
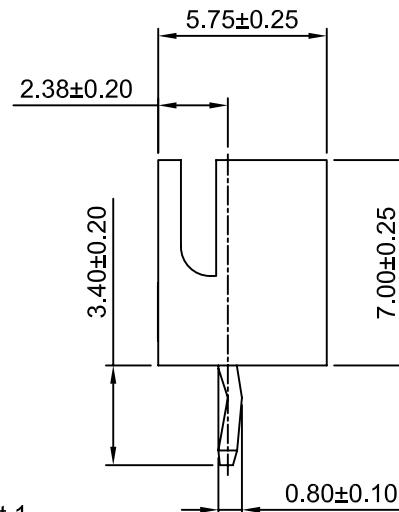
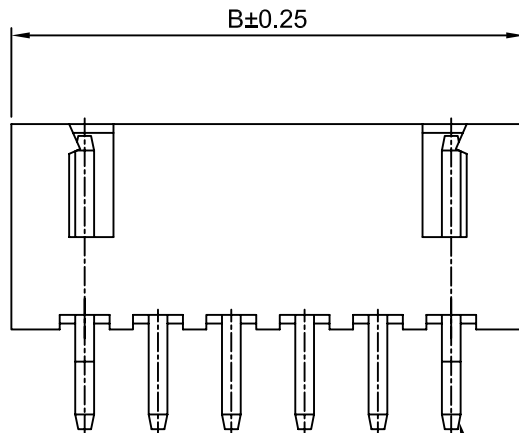
Withstanding Voltage: 1000V AC/minute

Pin Material: Brass/Tin-plated

Material: Nylon 66,UL94V-0(White)

Ordering Information & Dimensions

Circuits	Dimensions(mm)		Circuits	Dimensions(mm)	
	A	B		A	B
2P	2.50	7.50	12P	27.50	32.50
3P	5.00	10.00	13P	30.00	35.00
4P	7.50	12.50	14P	32.50	37.50
5P	10.00	15.50	15P	35.00	40.00
6P	12.50	17.50	16P	37.50	42.50
7P	15.50	20.00	17P	40.00	45.00
8P	17.50	22.50	18P	42.50	47.50
9P	20.00	25.00	19P	45.00	50.00
10P	22.50	27.50	20P	47.50	52.50
11P	25.00	30.00			



Circuit 1
PIN 0.64 SQ

TYPE 1

TYPE 2

CJTconn

CHANGJIANG CONNECTORS CO.,LTD.

Unit	Scale	Sheet
mm	4:1	1 of 1

Draw BY:	Approved :
LIZQ	GONGYB

General Tolerance

x.xx±0.25	ANGLE±
x.xxx±0.20	
x.xxxx±0.15	

Title :
2.50mm PITCH
180° WAFER

DRAW NO : A2501WV-XP REV A0

A0	NEW RELEEASE	2005.05.10
REV	DESCRIPTION	DATE