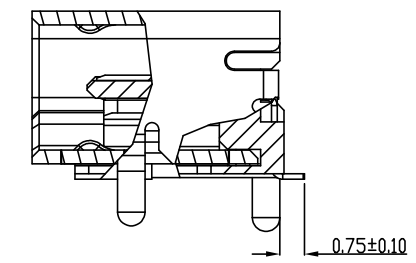
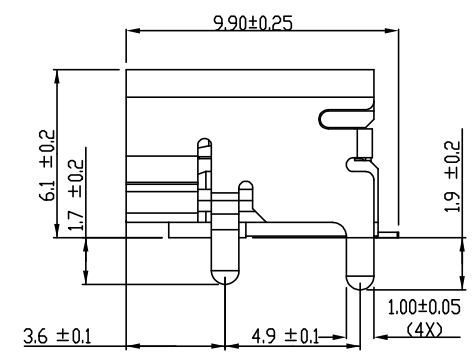
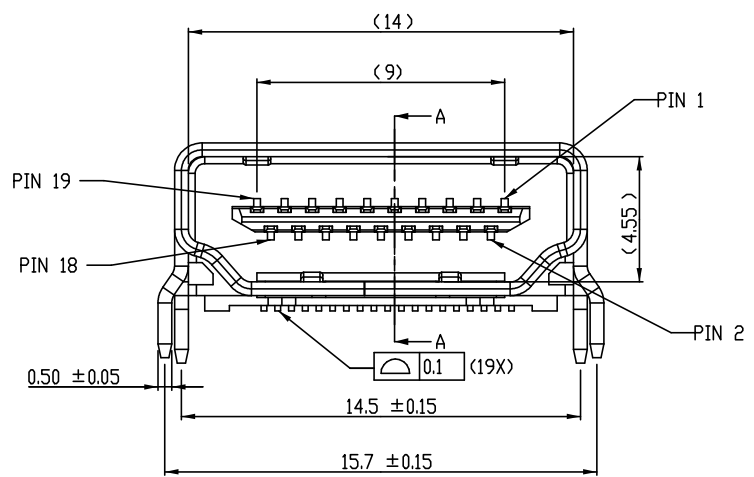
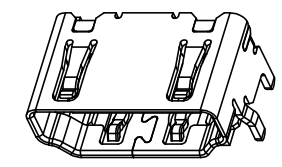
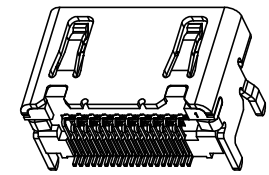
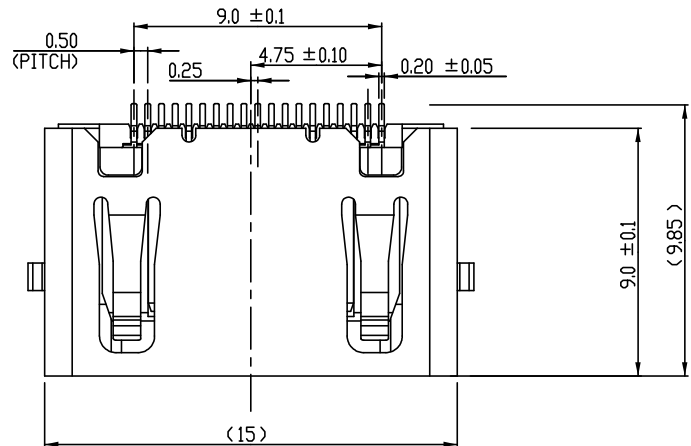


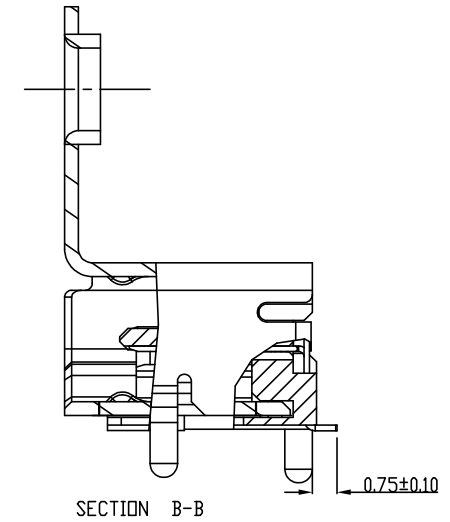
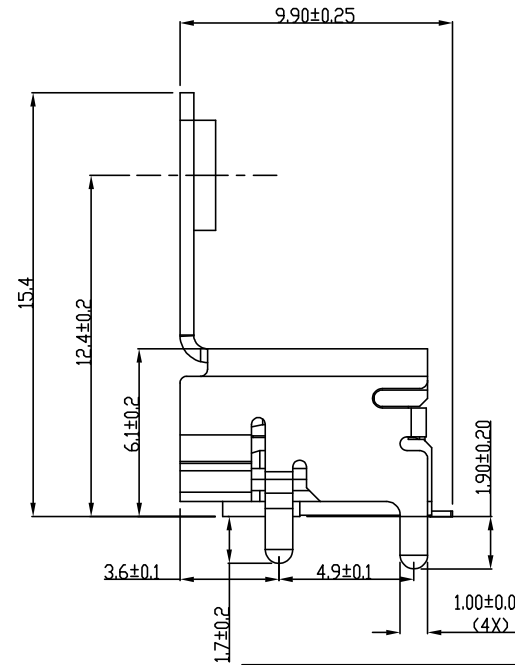
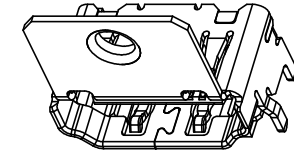
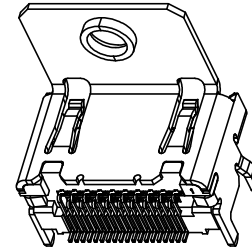
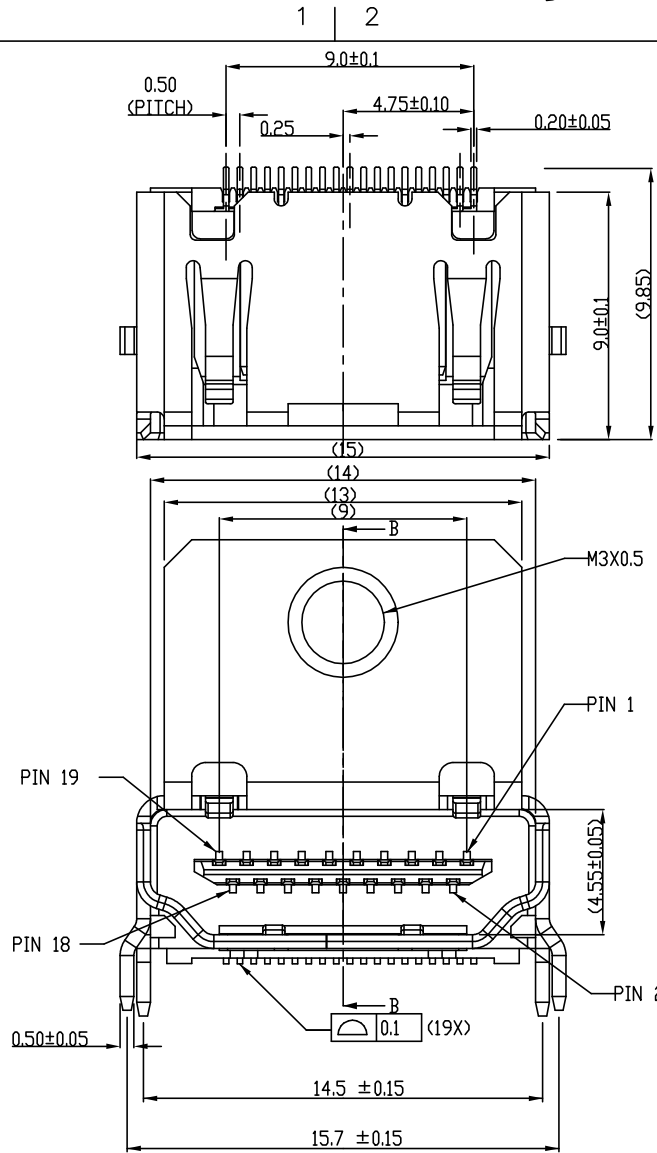
PRODUCT NO.  
10029449-X01XLF



SECTION A-A

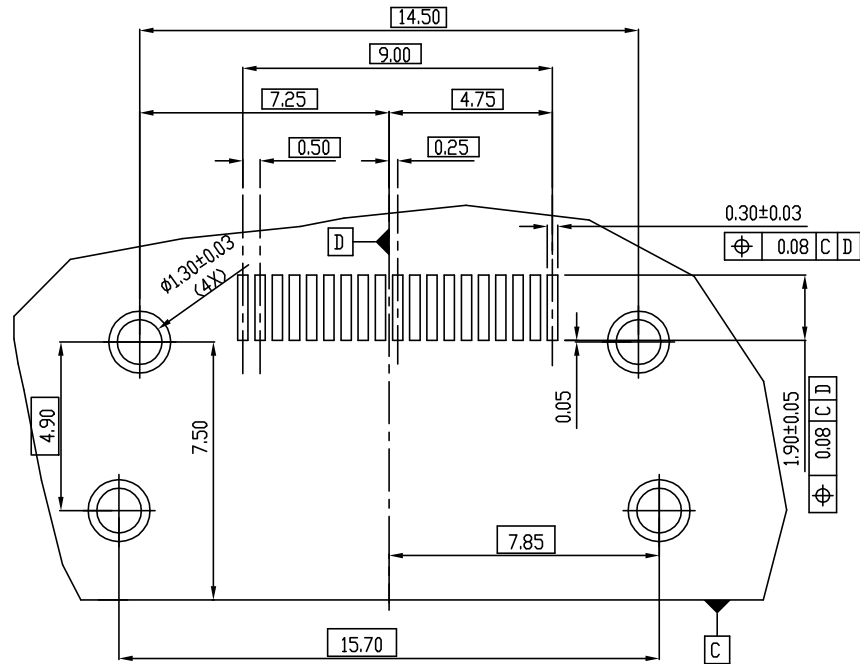
mat'l. code		surface		tolerance		projection		product family	
		ISO1302		ISO1101 ISO406				HDMI	
ltr ecn no dr date		tolerances unless otherwise specified		.X±.0.3		MM		title	
V ELX-N-31875 TONY 2018-11-16		angles		.XX±.0.15				HDMI TYPE A RECEPTACLE	
P N10-0201 KW 2011-02-14		0°±2'		.XXX±.0.05		scale 4.0		dwg no	
R N12-0001 SH 2012-02-23 dr LEIF SHEN 10/15/04								sheet 1 of 5 size	
S N12-0003 A.ZH 2012-06-13 eng LEIF SHEN 10/15/04								10029449 A4	
T TONY 2018-08-31 chr PAUL WANG 10/15/04								type Product Customer Drawing	
U ELX-N-31471 TONY 2018-10-08 app JOSEPH HSIA 10/15/04									
sheet revision v									
index sheet 1									

PRODUCT NO.  
10029449-002XLF



mat'l. code		surface ISO1302 <input checked="" type="checkbox"/> ISO1101 ISO406		tolerance ISO1101 ISO406		projection 		product family HDMI	
ltr		ecn no dr		date		tolerances unless otherwise specified		title HDMI TYPE A RECEPTACLE	
						angles linear .X±.03 .XX±.015 0°±2' .XXX±.005		MM scale 4:0	
				dr		LEIF SHEN 10/15/04		dwg no	
				eng		LEIF SHEN 10/15/04		sheet 2 of 5 size	
				chr		PAUL WANG 10/15/04		10029449 A4	
				app		JOSEPH HSIA 10/15/04		type Product Customer Drawing	
sheet index		revision sheet		v					
		2							

PRODUCT NO.	CONTACT AREA PLATING	SHIELD FIGURE	PACKING
10029449-001TLF	30u" GXT MINIMUM	WITHOUT FLANGE	TRAY
10029449-001RLF	30u" GXT MINIMUM	WITHOUT FLANGE	TAPE AND REEL
10029449-101TLF	GOLD FLASH 3u" MIN	WITHOUT FLANGE	TRAY
10029449-101RLF	GOLD FLASH 3u" MIN	WITHOUT FLANGE	TAPE AND REEL
10029449-002TLF	30u" GXT MINIMUM	WITH FLANGE	TRAY
10029449-002RLF	30u" GXT MINIMUM	WITH FLANGE	TAPE AND REEL
10029449-002FLF	GOLD FLASH 3u" MIN	WITH FLANGE	TAPE AND REEL



RECOMMENDED PCB PATTERN LAYOUT  
(t=1.6mm)

NOTES:

1. MATERIAL

- 1-1 HOUSING: GLASS FIBER HIGH-TEMP. RESIN.(UL94V-0)
- 1-2 CONTACT: BRASS
- 1-3 SHELL : STEEL

2. FINISH

- 2-1 CONTACT : Ni UNDER PLATED ALL OVER 50u" MIN CONTACT AREA SEE TABLE
- 2-2 SHELL : Ni 100u" MIN.

3. PACKAGING:

PACKAGING SPECIFICATION GS-14-939.

4. PRODUCT SPEC:

PRODUCT SPECIFICATION GS-12-309.

5. RoHS STANDARD SPECIFICATION ACCORDING TO FCI GS-22-008.

6. PARTS MEET REFLOW APPLICATION PEAK TEM. 260°C, 10 SECONDS MAX.

mat'l. code		surface ISO1302 <input checked="" type="checkbox"/> tolerance ISO1101 ISO406		projection		product family HDMI	
ltr		ecn no dr date		tolerances unless otherwise specified		title	
				.x±.0.3		HDMI TYPE A RECEPTACLE	
				.xx±.0.15			
				0°±2°		scale 4.0	
				dr LEIF SHEN 10/15/04		dwg no sheet 3 of 5 size	
				eng LEIF SHEN 10/15/04		10029449 A4	
				chr PAUL WANG 10/15/04		type Product Customer Drawing	
				app JOSEPH HSIA 10/15/04			
sheet index		revision v					
		sheet 3					

PRODUCT NO.	CONTACT AREA PLATING	SHIELD FIGURE	DIM "A"	PACKING
10029449-111RLF	GOLD FLASH 3u" MIN	WITHOUT FLANGE	2.02±0.20	TAPE AND REEL
10029449-111FLF	GOLD FLASH 3u" MIN	WITHOUT FLANGE	2.02±0.20	TAPE AND REEL, OPPOSITE DIRECTION
10029449-113RLF	GOLD FLASH 3u" MIN	WITHOUT FLANGE	0.90±0.20	TAPE AND REEL

NOTE:

1.MATERIAL:

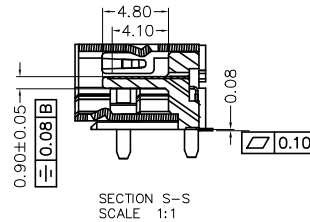
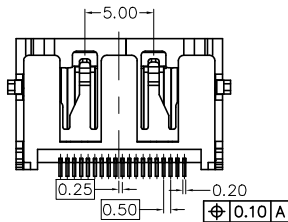
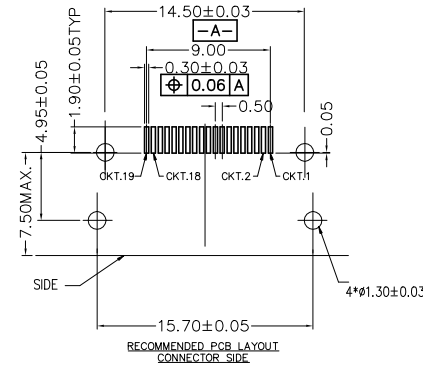
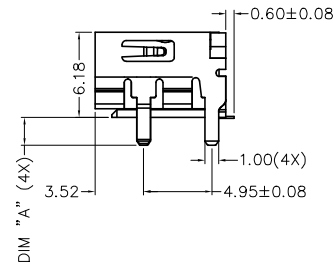
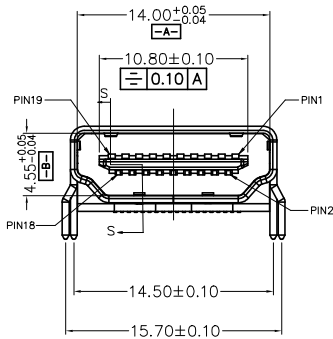
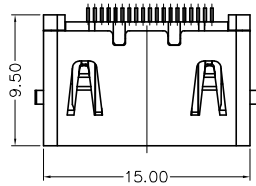
HOUSING: HIGH TEMP.THERMOPLASTIC, UL 94V-0  
 COLOR: BLACK.  
 CONTACT: PHOSPHOR BRONZE  
 SHIELD: BRASS

2.FINISH:

SEE NOTES.

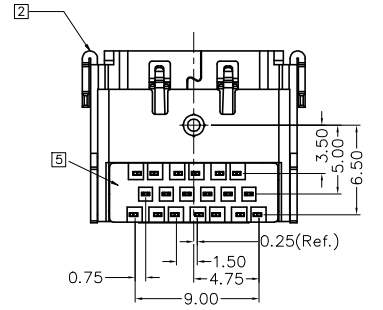
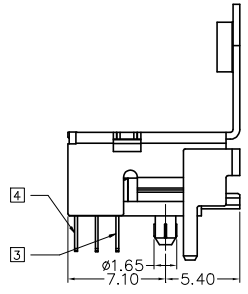
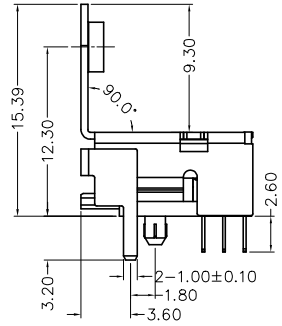
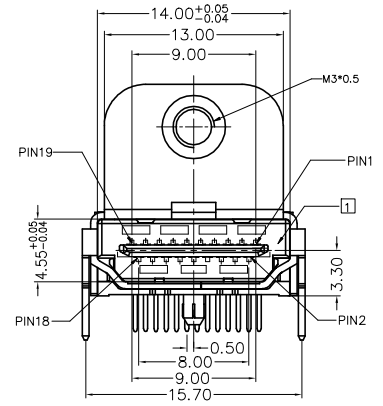
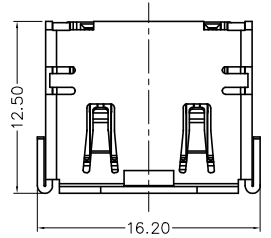
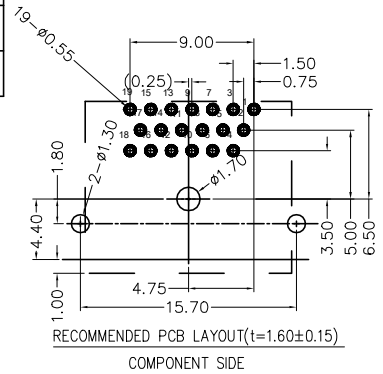
3.TERMINAL RETENTION FORCE TO BE 0.3kgf MIN.

4.TERMINAL CUT-OFF BURR TO BE 0.05MAX.



mat'l. code		surface ISO1302 ✓		tolerance ISO1101 ISO406		projection MM		product family HDMI	
ltr		ecn no dr		date		tolerances unless otherwise specified		title HDMI TYPE A RECEPTACLE	
						angles lineal 0°±2'		scale 2.0	
		dr		LEIF SHEN		10/15/04		dwg no	
		eng		LEIF SHEN		10/15/04		sheet 4 of 5	
		chr		PAUL WANG		10/15/04		size A4	
		app		JOSEPH HSIA		10/15/04		10029449	
sheet index		revision sheet		v				type Product Customer Drawing	
4		4							

PRODUCT NO.	CONTACT AREA PLATING	SHIELD FIGURE	PACKING
10029449-112TLF	GOLD FLASH 3u" MIN	WITH FLANGE	TRAY
10029449-112RLF	GOLD FLASH 3u" MIN	WITH FLANGE	TAPE AND REEL



NOTE:

1. MECHANICAL CHARACTERISTICS  
 INSERTION FORCE: 44.1N MAX  
 WITHDRAWAL FORCE: 9.8N MIN, 39.2N MAX  
 MATING CYCLE: 10000 CYCLES  
 CONTACT PULL OUT FORCE: 1.96N/PIN MIN

2. ELECTRICAL CHARACTERISTICS  
 RATING CURRENT: 0.5A  
 RATING VOLTAGE: 40V  
 CONTACT RESISTANCE: 10 MILLOHMS OHMS MAX  
 (EXCLUDING CONDUCTOR RESISTANCE)  
 INSULATION RESISTANCE:  
 a, UNMATED: 100M OHMS MIN AT 500 VDC  
 b, MATED: 10M OHMS MIN AT 150 VDC  
 DIELECTRIC WITHSTANDING VOLTAGE: 300V AC/1MINUTE  
 OPERATING TEMPERATURE: -20°C--+85°C  
 STORAGE TEMPERATURE: -20°C--+65°C

mat'l. code		surface	tolerance	projection	product family	
		ISO1302	ISO1101 ISO406		HDMI	
ltr	ecn no dr	tolerances unless otherwise specified			title	
		angles 0°±2°		MM	HDMI TYPE A RECEPTACLE	
		dr	LEIF SHEN 10/15/04		dwg no	
		eng	LEIF SHEN 10/15/04		sheet 5 of 5	
		chr	PAUL WANG 10/15/04		size	
		app	JOSEPH HSIA 10/15/04		A4	
sheet index		revision	v	type		Product Customer Drawing
		sheet	5			