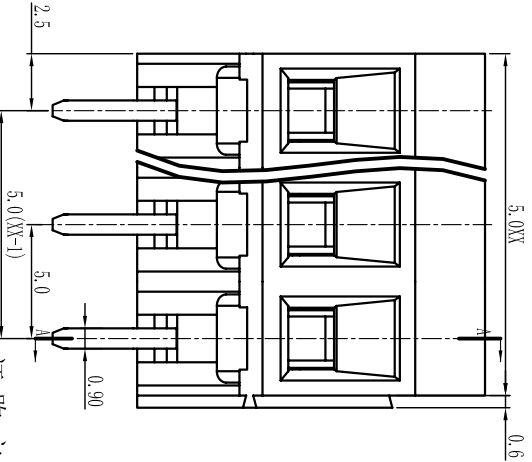
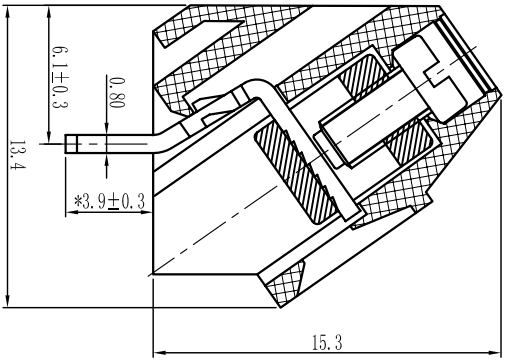
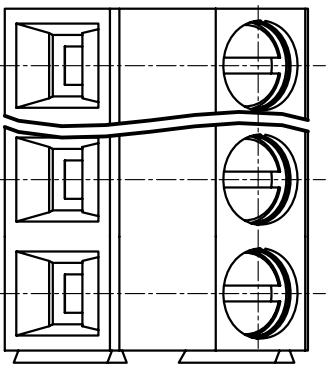
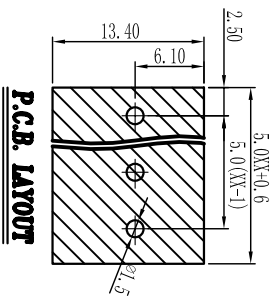




# Cixi Dibo Electronics Co., LTD

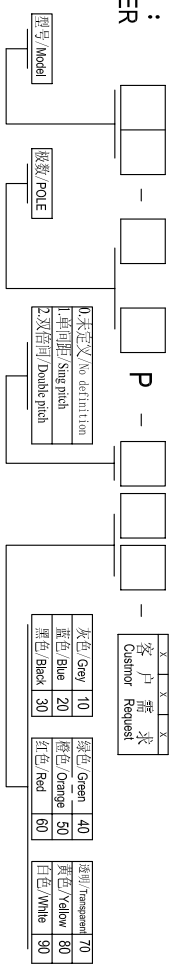
产品规格书  
product specification



**电气性能/Electrical**  
 参考标准/Standard: UL IEC  
 额定电压/Rated voltage: 300V 250V  
 额定电流/Rated current: 10A 18A  
 接触电阻/Contact resistance: 20mΩ  
 使用线径/Wire range: 24-12AWG 2.5mm<sup>2</sup>  
 耐电压/Withstanding voltage: AC2000V/1Min  
 绝缘电阻/Insulation resistance: 500MΩ/DC500V

**机械性能/Mechanical**  
 温度范围/Temp. Range: -40°C+105°C  
 扭矩/Torque: 0.4Nm(3.6lb·in)  
 剥线长度/Strip length: 6-7mm  
**尺寸/Dimensions**  
 间距/Pitch: 5.0mm  
 极数/Poles: 2P-24P  
**材料及电镀/Material**  
 塑件/Housing: P166, UL94V-0  
 螺丝/Screws: M2.5, steel Zinc plated  
 方块/Cage: Brass, Ni plated  
 焊脚/Pin header: Brass, SnIe plated

订购方式：  
HOW TO ORDER



tolerance	linear dimension (tolerances Standard GB/T 14486-2008)												≡	—	□	∥	⊥
	over 6 to 6	over 10 to 10	over 18 to 18	over 30 to 30	over 50 to 50	over 80 to 80	over 120 to 120	over 160 to 160	over 200 to 200	over 250 to 250	all	over 5 to 5	over 30 to 30	over 120 to 120			
variable range	±0.1	±0.14	±0.19	±0.25	±0.32	±0.43	±0.57	±0.72	±0.88	±1.05	±1.25	0.5	0.025	0.06	0.12	0.4	

单位/UNITS: mm 尺寸/SIZE: A4 比例/SCALE: 比例

Cixi Dibo Electronics Co., LTD

名称/NAME: DB103-5.0

第一视角/THIRD ANGLE PROJECTION