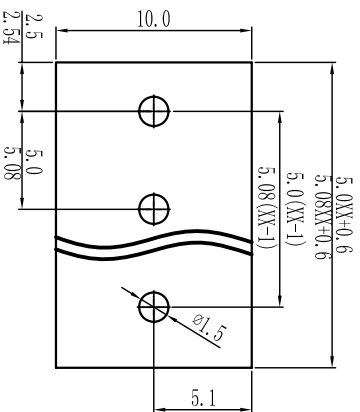


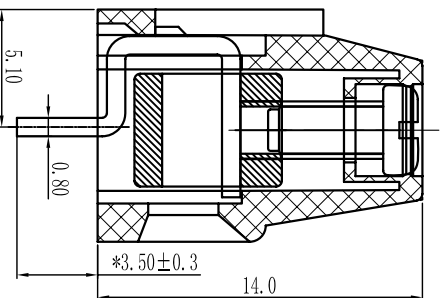
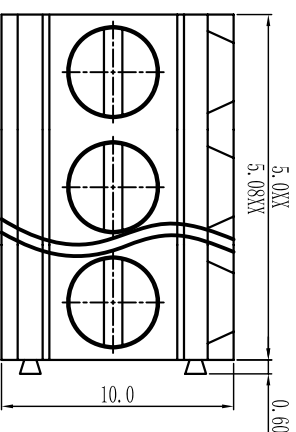
DORABO[®]

Cixi Dibo Electronics Co., LTD

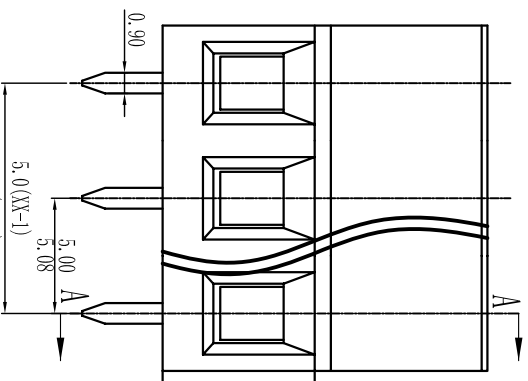
产品规格书
product specification



P.C.B. LAYOUT



SECTION A-A



订购方式：
HOW TO ORDER

linear dimension (Tolerances Standard GB/T 14486-2008)

	≡	—	□	∥	⊥										
variable range	6 to 6	over 6 to 10	over 10 to 18	over 18 to 30	over 30 to 50	over 50 to 80	over 80 to 120	over 120 to 160	over 160 to 200	over 200 to 250	over 250 to 5	all to 5	over 5 to 30	over 30 to 120	over 120 to 6
tolerance	±0.1	±0.14	±0.19	±0.25	±0.32	±0.43	±0.57	±0.72	±1.05	±1.25	0.5	0.025	0.06	0.12	0.4

电气性能/Electrical

参考标准/Standard: UL IEC

额定电压/Rated voltage: 300V 250V

额定电流/Rated current: 15A 18A

接触电阻/Contact resistance: 20mΩ

使用线径/Wire range: 30-12AWG 2.5mm²

耐电压/Withstanding voltage: AC2000V/1Min

绝缘电阻/Insulation resistance: 500MΩ/DC500V

机械性能/Mechanical

温度范围/Temp Range: -40°C+105°C

扭矩/Torque: 0.4Nm (3.54lb·in)

剥线长度/Strip length: 6-7mm

尺寸/Dimensions

间距/Pitch: 5.0mm, 5.08mm

极数/Poles: 2P-24P

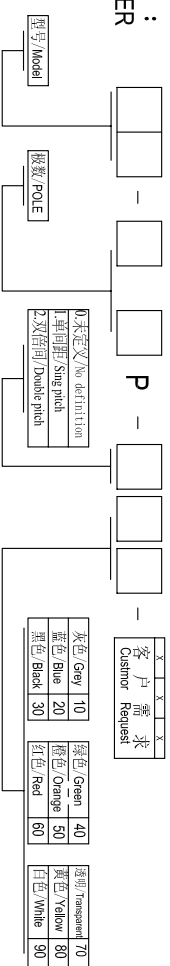
材质及电镀/Material

塑件/Housing: PA66 UL94V-0

螺丝/Screws: M2.5, steel Zinc plated

方块/Cage: Brass, Ni plated

焊脚/Pin header: Brass, Snle plated



Cixi Dibo Electronics Co., LTD

名称/NAME: DB128L-5, 0/5, 0.8

单位/UNITS	mm	尺寸/SIZE	A4	比例/SCALE	比例
第一视角/THIRD ANGLE PROJECTION					