



3R Ceramic Surge Arresters

SPECIFICATION

Changzhou Wujin Jiangnan Discharge Tube Co.,Ltd

Add: Zouqu Town Industrial Zone, Wujin Changzhou City, Jiangsu, China


Tel: 0519-83631254

Fax: 0519-83631533

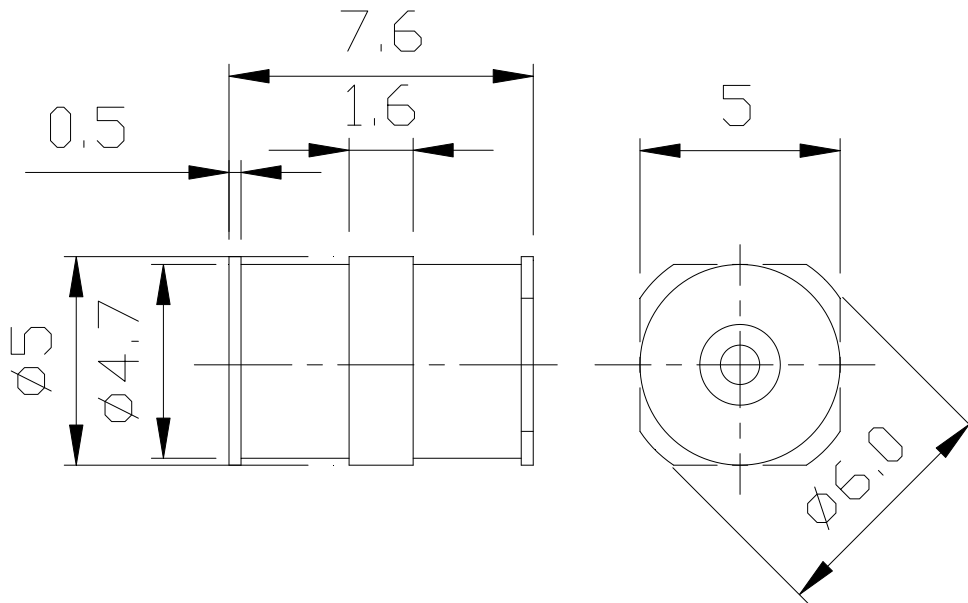
Email: jiangnan@jiangnan-cn.cn



• **Electrical Characteristics**

DC spark-over voltage	90 ± 20	V %
Impulse spark-over voltage		
at 100V/μs - for 99% of measured values	< 500	V
-typical values of distribution	< 450	V
at 1 kV/μs - for 99% of measured values	< 600	V
-typical values of distribution	< 550	V
Service life		
10 operations 50Hz, 1s ¹⁾	10	A
10 operations [5x (+)&5x(-)] 8/20 μs ¹⁾	10	kA
1 operations 10/350 μs ¹⁾	2	kA
300 operations(alternating polarity) 10/1000 μs ¹⁾	200	A
Insulation resistance at 50 Vdc	> 1	G Ω
Capacitance at 1 MHz	< 1.5	pF
Arc voltage at 1 A	~10	V
Glow to arc transition current	~1	A
Glow voltage	~80	V
Weight	~1.0	g
Operation and storage temperature	-40...+125	°C
Marking, blue	 3R90 3R -Three Electrode 90 -Nominal voltage	
HW P/N		

Dimensional drawing



Note:

- 1) Total current through center electrode, half value through tip respectively ring electrode.
- 2) Product coplanar degrees offset $< 0.15\text{mm}$.
- 3) The red mark opposite to meet coplanarity requirement (红色标记对面确保满足共面度要求)

