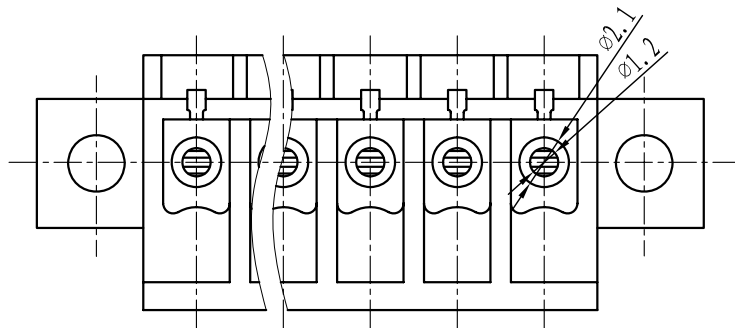


SECTION A-A



TOLERANCES EXCEPT AS NOTED

variable range	linear dimension				fillet	chamfer	short angle sid			≡	—	□	//	⊥			
	to	over	to	over	to	to	to	to	to								
to 6	6	30	120	480	all	to 6	to 10	to 50	to 120	all	to 5	to 30	to 120				
tolerance	±0.1	±0.2	±0.3	±0.5	±0.9	±0.2	±0.5	±1	1°	30'	20'	10'	0.5	0.025	0.06	0.12	0.4

电气性能/Electrical

参考标准/Standard: UL IEC
 额定电压/Rated voltage: 300V 250V
 额定电流/Rated current: 8A 10A
 接触电阻/Contact resistance: 20mΩ
 使用线径/Wire range: 28-16AWG 1.5mm²
 耐电压/Withstanding voltage: AC2000V/1Min
 绝缘电阻/Insulation resistance: 500MΩ/DC500V

机械性能/Mechanical

温度范围/Temp.Range: -40° C~+105° C
 扭矩/Torque: 0.2Nm(1.71lb`in)
 剥线长度/Strip length: 6-7mm

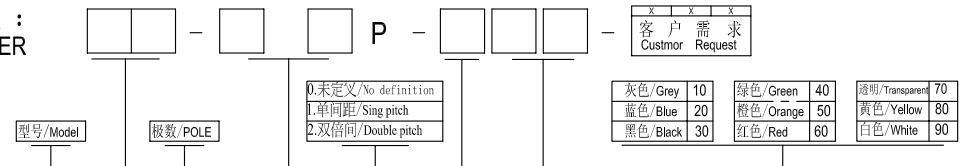
尺寸/Dimensions

间距/Pitch: 3.81mm/3.5mm
 极数/Poles: 2P-24P

材质及电镀/Material

塑件/Housing: PA66, UL94V-0
 螺丝/Screws: M2, steel Zinc plated
 固定螺丝/Screws: M2.5, steel Zinc plated
 方块/Wire guard: Brass, Ni plated
 夹子/Clamp: Phosphor bronze, Ni plated

订购方式:
HOW TO ORDER



单位/UNITS	mm	尺寸/SIZE	A4	比例/SCALE	第一视角/FIRST ANGLE PROJECTION	
Cixi Dibo Electronics Co.,LTD					名称/NAME	DB2EKM-3.5/3.81-XXP